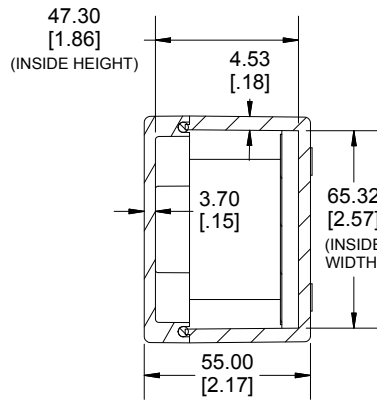
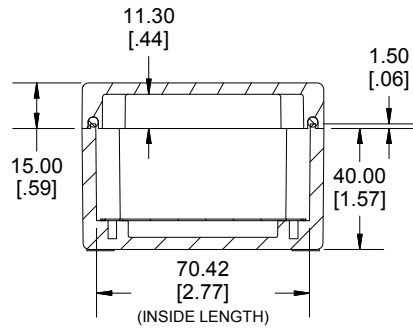
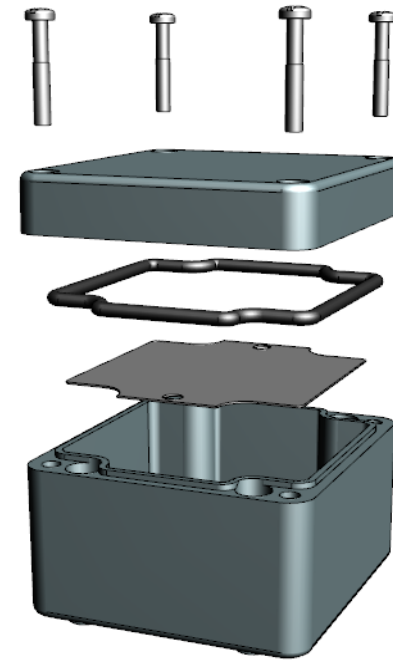


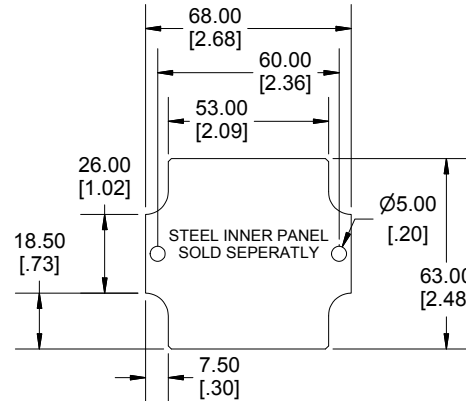
TOP VIEW



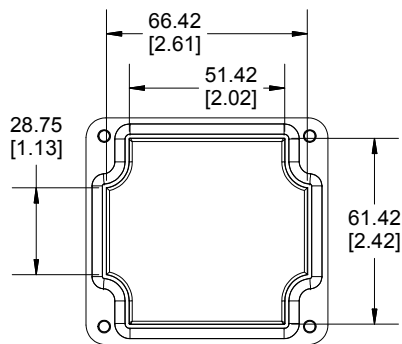
**SECTION B-B
END VIEW**



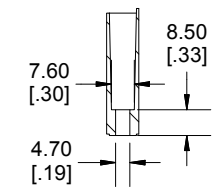
**SECTION A-A
SIDE VIEW**



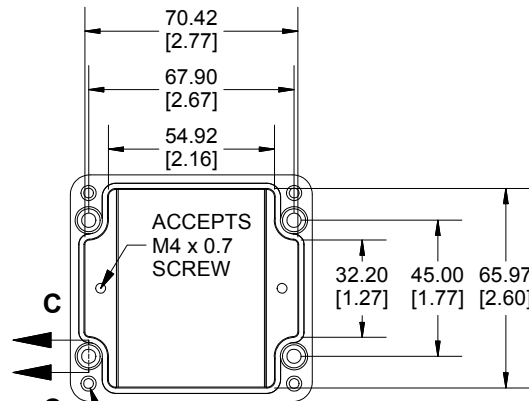
Enclosures can be Factory Modified (Milling, Drilling, Printing etc.)
 Contact Factory mjm@hammondmfg.com for quotes
 Solid models of this enclosure available in STEP or IGES.
 (Part number and text placement/orientation on our products are subject to change,
 we do not recommend using them as a locating reference for modification purposes)



INSIDE LID



**SECTION C-C
MOUNTING HOLE**



INSIDE BOX

Dimensions:
mm
[inches]

NOTE	
Purchased assembly includes Box, Lid, Gasket and 4 cover screws	
Enclosure Molded from Glass Reinforced Polyester	
Screw Should Not be Torqued Past 6-7.5 lbf.in (70-85 cN.m)	
PART NUMBERS	
1590ZGRP081 Enclosure	
Grey Enclosure	1590ZGRP081GY
ACCESSORIES	
Copper Ground Hardware (2 Pack) [M4 - 0.7 X 6mm / M4 Washer]	SCGM4
Steel Inner Panel	1590ZGRP081PL
Hinge Kit (2 Pack)	1427HK

1590ZGRP081
www.hammondmfg.com