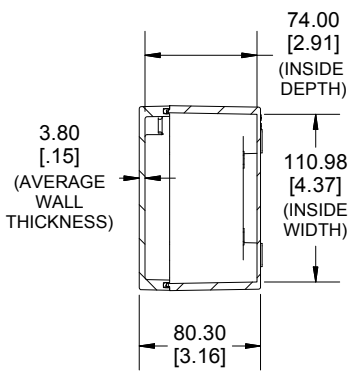
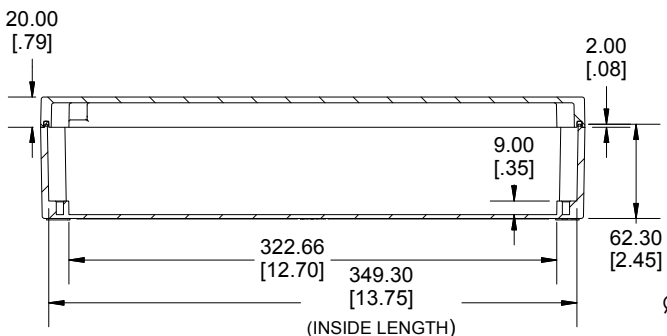
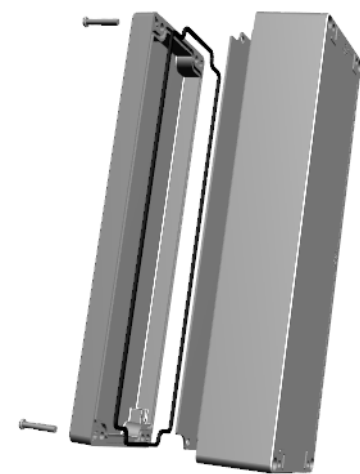


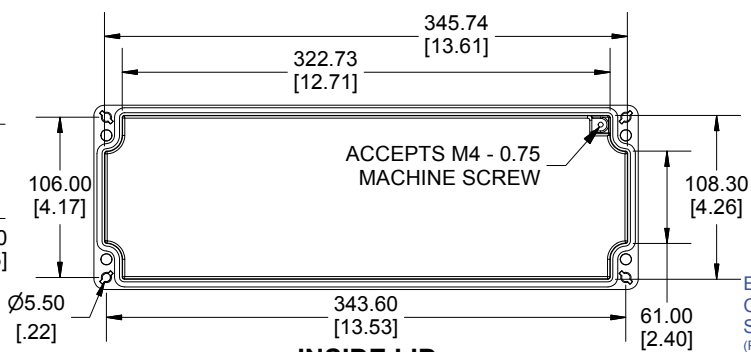
TOP VIEW



**SECTION A-A
END VIEW**

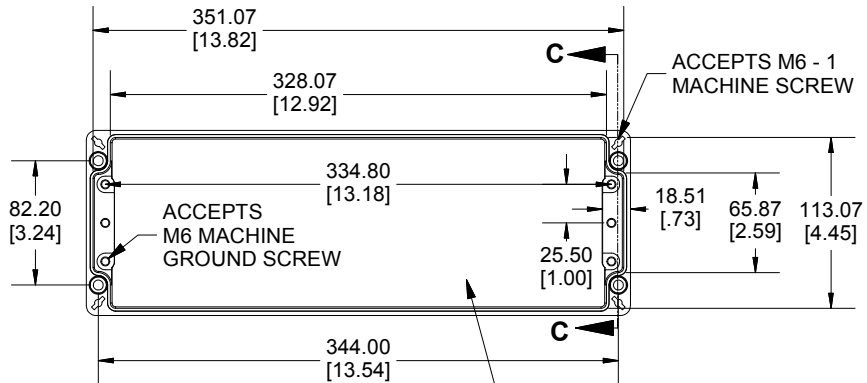


**SECTION B-B
SIDE VIEW**



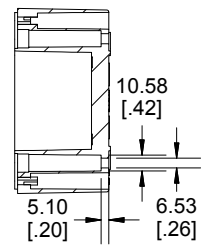
INSIDE LID

Enclosures can be Factory Modified (Milling, Drilling, Printing etc.)
 Contact Factory mjm@hammondmfg.com for quotes
 Solid models of this enclosure available in STEP or IGES.
 (Part number and text placement/orientation on our products are subject to change,
 we do not recommend using them as a locating reference for modification purposes)



INSIDE BOX

DRAWINGS AVAILABLE FOR STEEL INNER PANEL



**SECTION C-C
MOUNTING HOLE**

NOTE	
Purchased assembly includes box, lid, silicone gasket, 4 cover screws and 5 ground screws with washers. Box and lid are made from Diecast Aluminum Alloy.	
Recommended cover screw Torque 15-17 lbf.in (150 -170 cN.m)	
1590Z164	
1590Z164 Enclosure	
Basic Enclosure	1590Z164
Black Enclosure	1590Z164BK
Grey Enclosure - RAL7001 Gloss	1590Z164GY
ACCESSORIES	
Steel Inner Panel	1590Z164PL
Pre-Formed Silicone Gasket	1590Z164G
Copper Ground Hardware (4 Pack) [M6 - 1.0 X 10mm / M6 Washer]	SCGM6
Copper Ground Hardware For Lid (2 Pack) [M4 - 0.7 X 6mm / M4 Washer]	SCGM4

Dimensions:
mm
[inches]

1590Z164
www.hammondmfg.com