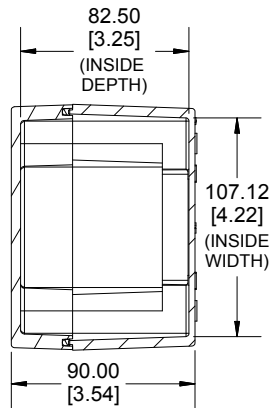
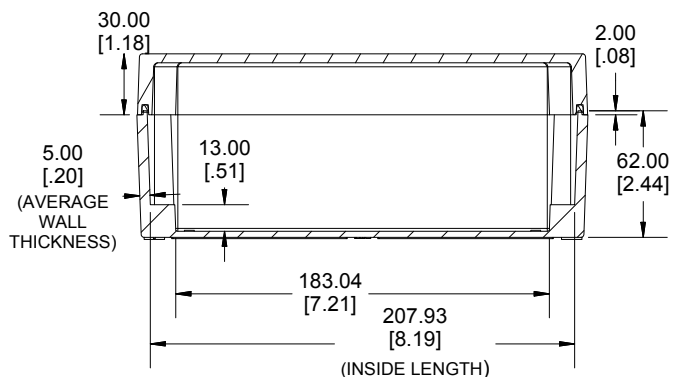
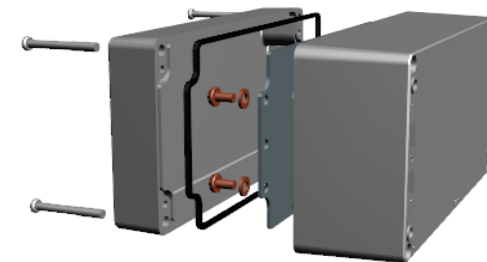


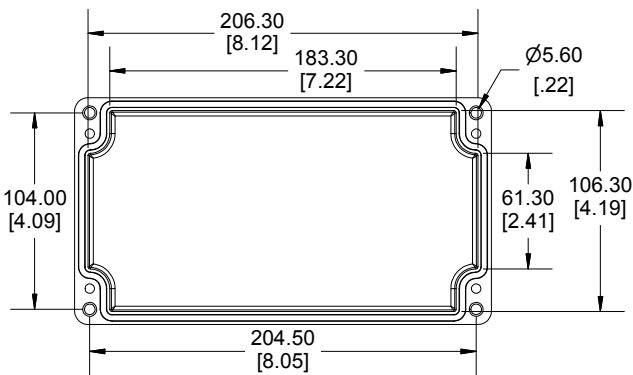
TOP VIEW



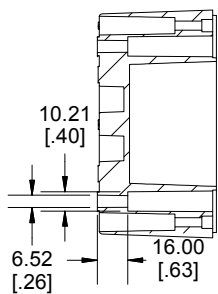
**SECTION A-A
END VIEW**



**SECTION B-B
SIDE VIEW**

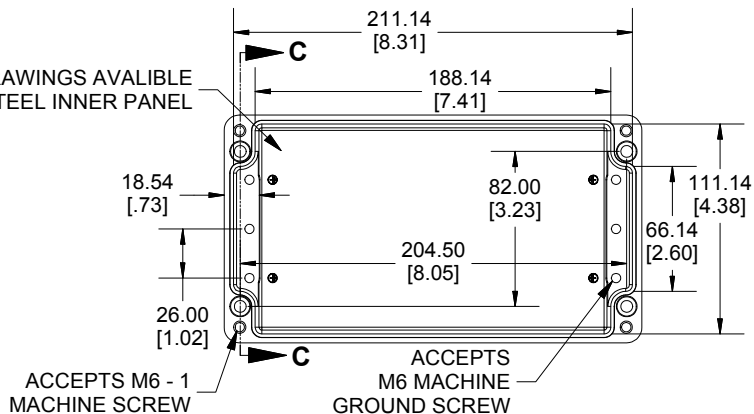


INSIDE LID



**SECTION C-C
MOUNTING HOLE**

DRAWINGS AVAILBLE
FOR STEEL INNER PANEL



INSIDE BOX

Dimensions:
mm
[inches]



Enclosures can be Factory Modified (Milling, Drilling, Printing etc.)
Contact Factory mjm@hammondmfg.com for quotes
Solid models of this enclosure available in STEP or IGES.
(Part number and text placement/orientation on our products are subject to change,
we do not recommend using them as a locating reference for modification purposes)

NOTE

Purchased assembly includes box, lid, silicone gasket,
4 cover screws and 4 ground screws with washers.
Box and lid are made from Diecast Aluminum Alloy.

Recommended cover screw Torque 15-17 lbf.in (150 -170 cN.m)

1590Z155	
1590Z155 Enclosure	
Basic Enclosure	1590Z155
Black Enclosure	1590Z155BK
Grey Enclosure - RAL7001 Gloss	1590Z155GY
ACCESSORIES	
Steel Inner Panel	1590Z155PL
Pre-Formed Silicone Gasket	1590Z155G
Copper Ground Hardware (4 Pack) [M6 - 1.0 X 10mm / M6 Washer]	SCGM6

**HAMMOND
MANUFACTURING**

1590Z155

www.hammondmfg.com