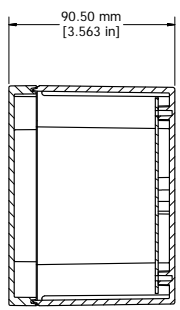
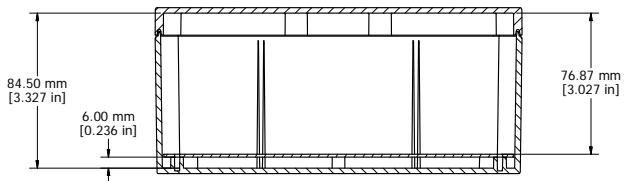


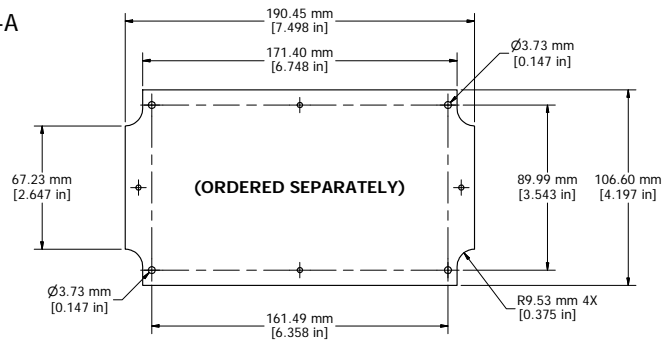
ASSEMBLY



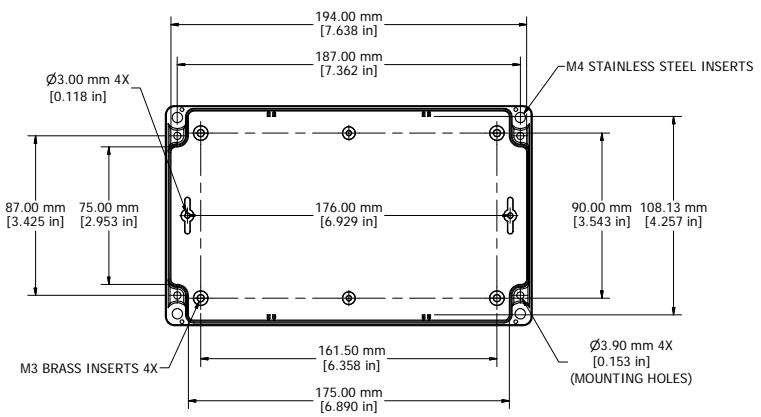
SECTION A-A



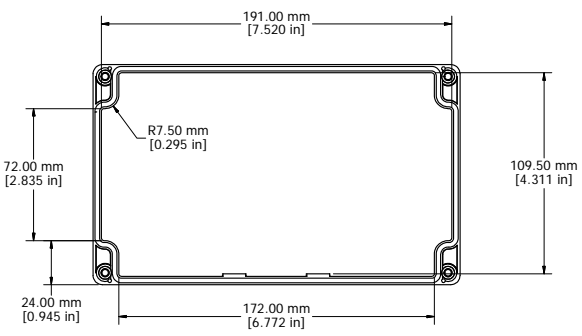
SECTION B-B



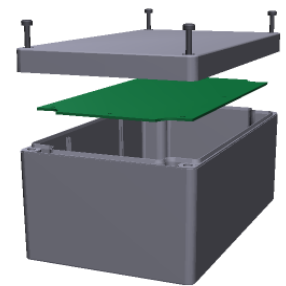
STEEL INNER PANEL



BOX - INSIDE



LID - INSIDE



Polycarbonate Version Only
UL US LISTED
 File #E65324
 NEMA 4, 4X

Enclosures can be Factory Modified (Milling, Drilling, Printing etc.)
 Solid models of this enclosure available in STEP or IGES see Web.
 Contact mjm@hammondmfg.com for Quotes.

NOTE
 Purchased assembly includes box, lid, 4 cover screws, and preformed silicone gasket.
 General Purpose ABS version is not UL approved. (Matl UL94 - HB)
 Polycarbonate version is UL 508 approved. (Matl UL94 - V0)
Recommended Cover screw torque -- 2.5 lbf-in (30 cN-m)

1554U	
1554U Regular Enclosure	
General Purpose ABS RAL-7035	1554UGY
Polycarbonate RAL-7035	1554U2GY
1554U Clear / Smoke Lid Enclosure	
Polycarbonate Box / Clear Polycarbonate Lid	1554U2GYCL
Polycarbonate Box / Smoke Polycarbonate Lid	1554U2GYSL
ACCESSORIES	
Steel Inner Panels	1554UPL
Steel Panel / P.C. Board Machine Screw [M3 x 8mm Plated]	1591MM100
Steel Panel / P.C. Board Self Tapping Screw [#6 X 1/4" (6.4mm) Plated]	1598ATS100
Cover Screws (Pkg 4) [M4 X20mm Stainless Steel]	SC1554

HAMMOND MANUFACTURING™
1554U
www.hammondmfg.com