

Polycarbonate Version Only



Enclosures can be Factory Modified ( Milling, Drilling, Printing etc. )  
 Contact [njm@hammondmfg.com](mailto:njm@hammondmfg.com) for Quotes.  
 Solid models of this enclosure available in STEP or IGES see Web.

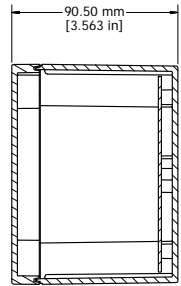
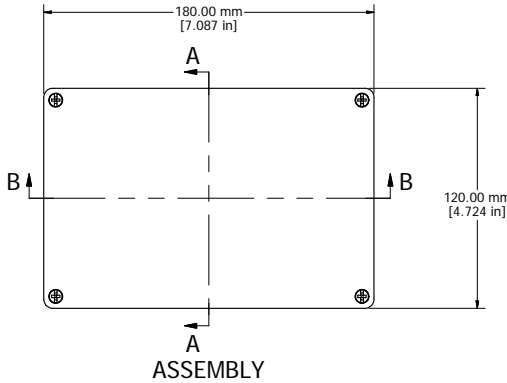
**NOTE**

Purchased assembly includes box, lid, 4 cover screws, and preformed silicone gasket.  
 General Purpose ABS version is not UL approved. (Matl UL94 - HB)  
 Polycarbonate version is UL 508 approved. (Matl UL94 - V0)

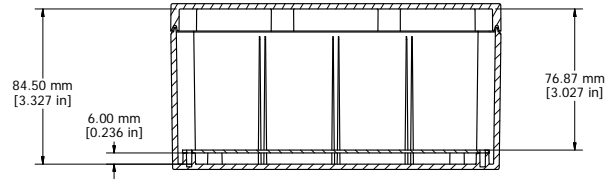
**Recommended Cover screw torque -- 2.5 lbf-in (30 cN-m)**

**1554T**

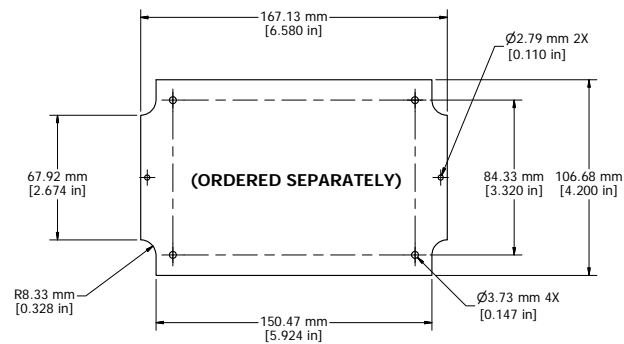
1554T Regular Enclosure	
General Purpose ABS RAL-7035	1554TGY
Polycarbonate RAL-7035	1554T2GY
1554T Clear / Smoke Lid Enclosure	
Polycarbonate Box / Clear Polycarbonate Lid	1554T2GYCL
Polycarbonate Box / Smoke Polycarbonate Lid	1554T2GYSL
ACCESSORIES	
Steel Inner Panels	1554HPL
Steel Panel / P.C. Board Machine Screw [M3 x 8mm Plated]	1591MM100
Steel Panel / P.C. Board Self Tapping Screw [#6 X 1/4" (6.4mm) Plated]	1598ATS100
Cover Screws (Pkg 4) [M4 X 20mm Stainless Steel]	SC1554



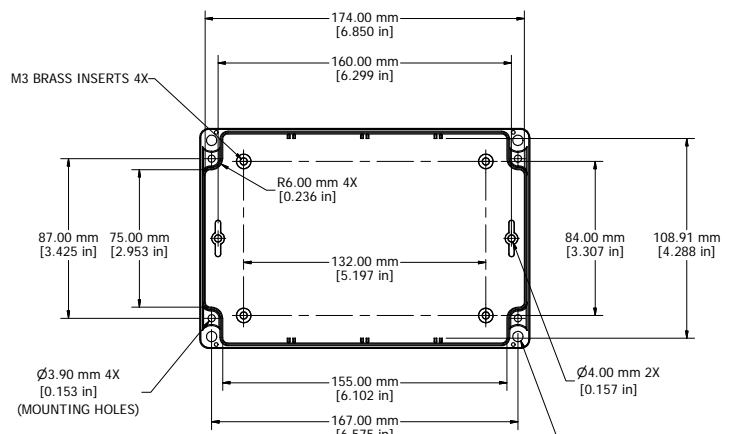
SECTION A-A



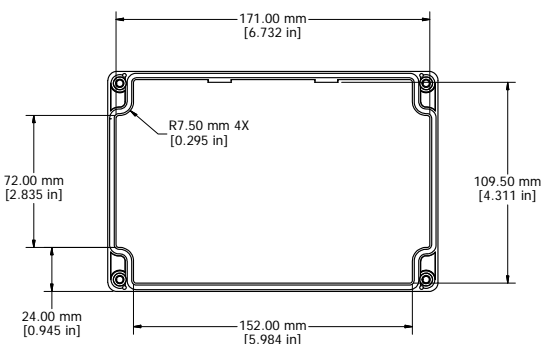
SECTION B-B



STEEL INNER PANEL



BOX - INSIDE



LID - INSIDE