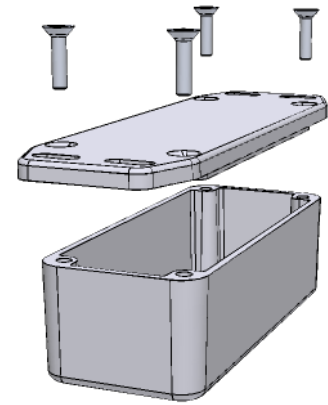
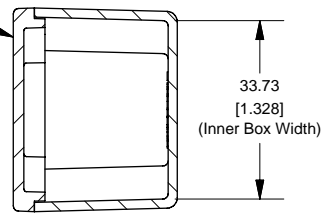
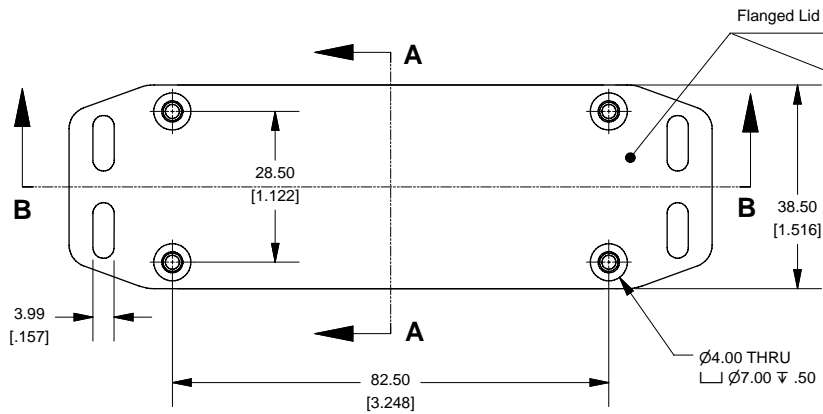


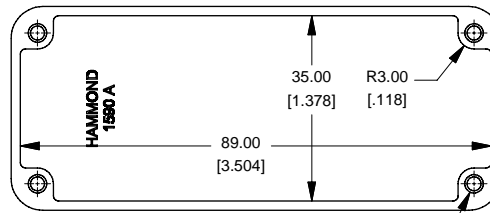
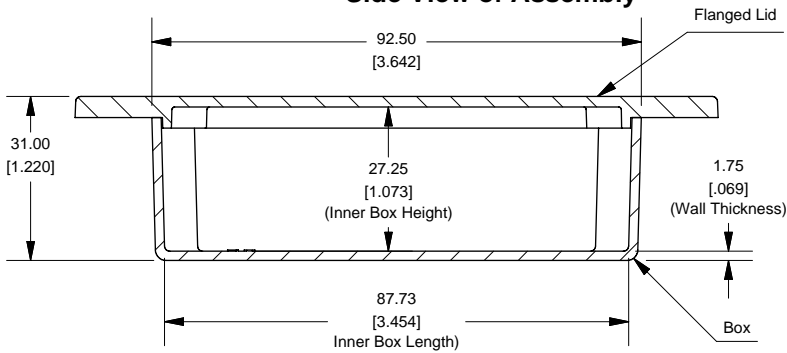
### Top View of Assembly

### SECTION A-A End View of Assembly



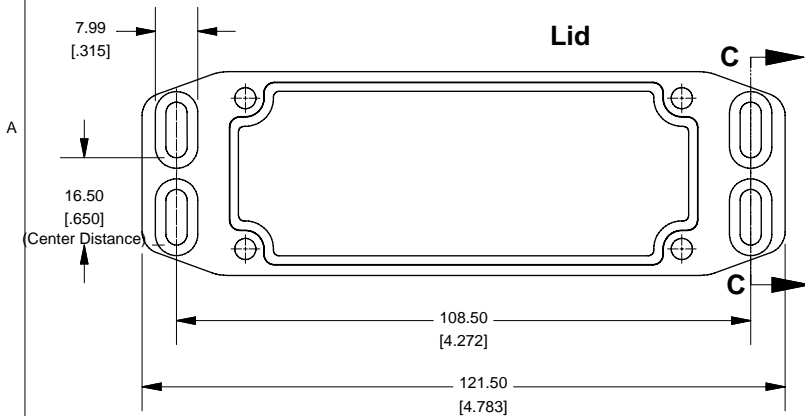
### SECTION B-B Side View of Assembly

### Top View Looking Inside Box

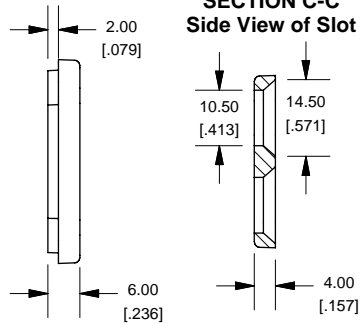


6-32 UNC - 2B  $\nabla$  10.00  
Ø3.50  $\nabla$  3.00  
(Threaded Holes)

Enclosures can be Factory Modified ( Milling, Drilling, Printing etc.)  
Contact Factory [mjm@hammondmfg.com](mailto:mjm@hammondmfg.com) for quotes  
Solid models of this enclosure available in STEP or IGES.



### SECTION C-C Side View of Slot



**NOTE**  
Purchased assembly includes box, lid and 4 cover screws.  
Box and lid are made from Diecast Aluminum Alloy (alloy type 380).  
Silicone Gasket Loctite #5950

PART NUMBERS	
1590AFL Enclosure	
Unfinished	1590AFL
Grey Textured Polyester Powder Paint - RAL 7038	1590AFLGY
Black Textured Polyester Powder Paint - RAL 9011	1590AFLBK
1590AFL Liquid Resistant Enclosure (Silicon Factory Installed Gaskets)	
Unfinished	1590WAF
Black Textured Powder Paint	1590WAFBK
ACCESSORIES	
Recommended Torque: 75 ozf.in / 55 cN.m	
Black Textured Cover Screws (Pkg 50) [6-32 x 1/2" SS Type 304]	1590WMS100BK
Unfinished Cover Screws (Pkg 100) [6-32 x 1/2" Nickel Plated Screws]	1590WMS100
Standard Cover Screws	
Unfinished Cover Screws (Pkg 100) [6-32 x 1/2" Nickel Plated Screws]	1590MS100
Black Textured Cover Screws (Pkg 50) [6-32 x 1/2" SS Type 304]	1590WMS100BK

**HAMMOND  
MANUFACTURING™**

**1590AFL**

[www.hammondmfg.com](http://www.hammondmfg.com)