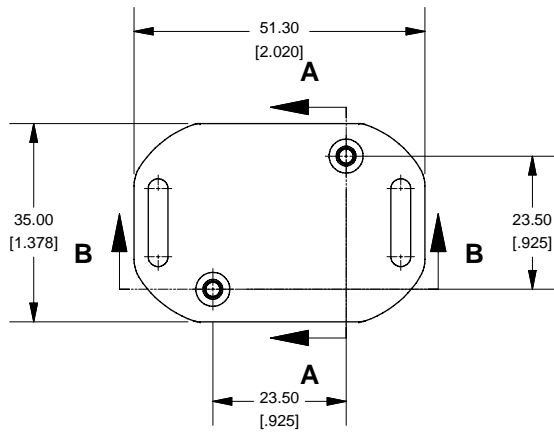
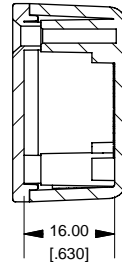


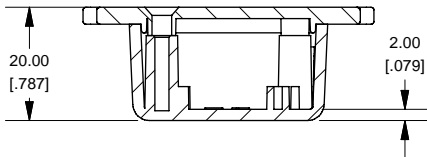
Top View of Assembly



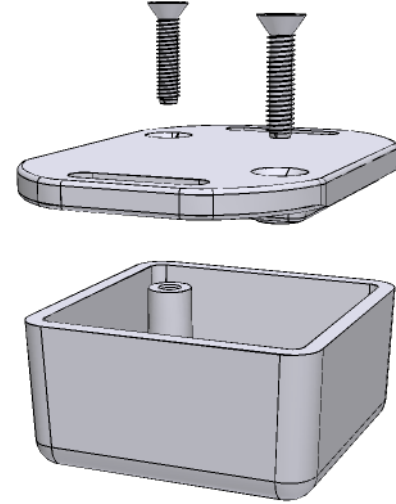
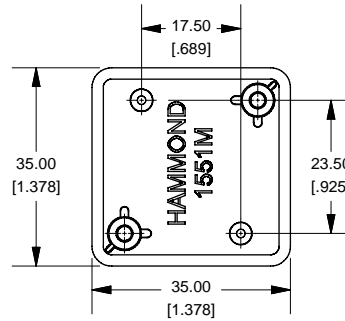
SECTION A-A End View of Assembly



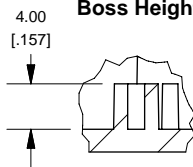
SECTION B-B Side View of Assembly



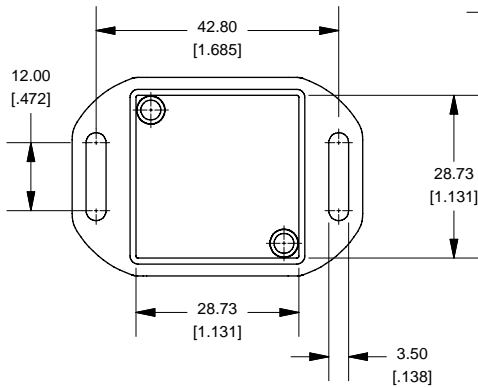
Top View Looking Inside Box



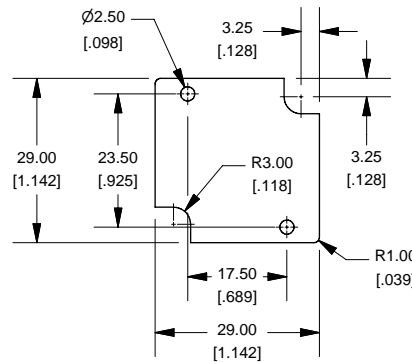
SECTION C-C Boss Heights



Lid



Maximum P.C. Board Size



NOTE

Purchased assembly includes lid and box made from GP ABS material and cover screws.

1551MFL

1551MFL Enclosure

| | |
|--|------------|
| Black Enclosure - RAL 9011 - UL94 - HB | 1551MFLBK |
| Gray Enclosure - RAL 7035 - UL94 - HB | 1551MFLGY |
| Translucent Blue - UL94 - HB | 1551MFLTBU |

ACCESSORIES

Recommended Screw Torque: 15-20 ozf.in (10-15 cN.m)

| | | |
|--|------|-------------|
| Black Enclosure Cover Screws (Pkg 100) X 1/2" Self Tapping] | [#4] | 1591TS100BK |
| Grey Enclosure Cover Screws (Pkg 100) X 1/2" Self Tapping] | [#4] | 1591TS100 |
| P.C. Board Screws (Pkg 100) [#2 x 3/16" Self Tapping] | | 1551ATS100 |



**HAMMOND
MANUFACTURING™**

1551MFL

www.hammondmfg.com