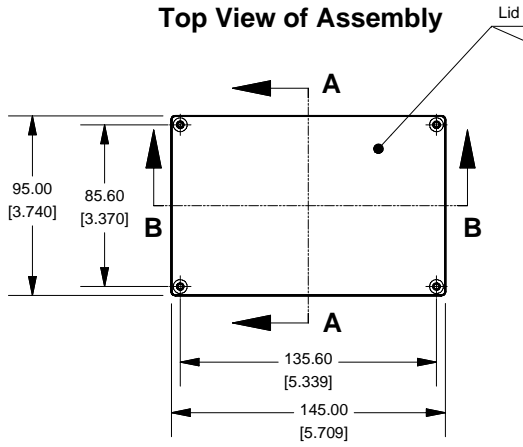
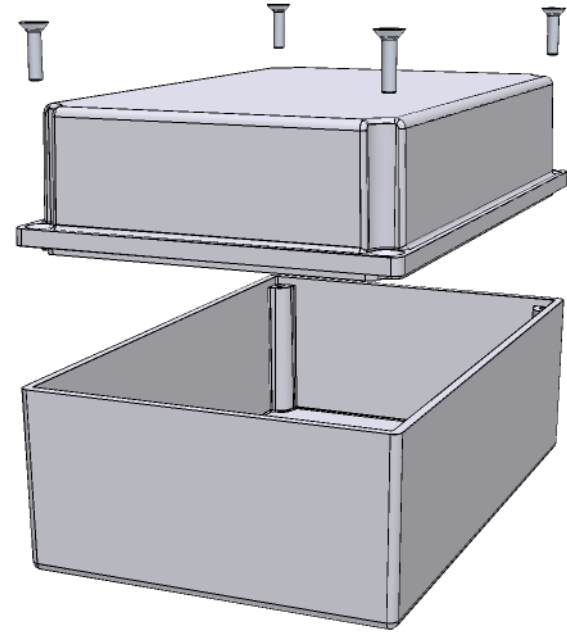
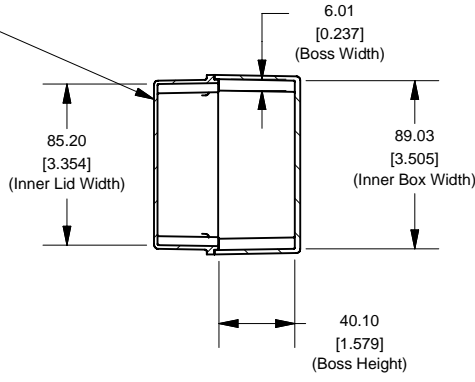


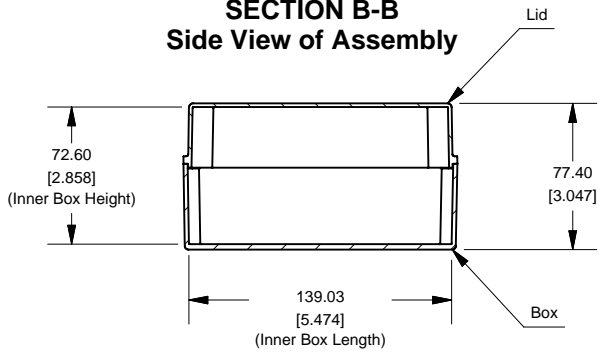
Top View of Assembly



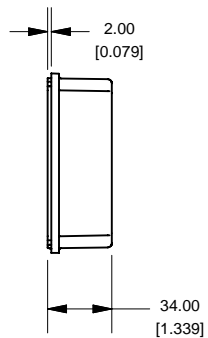
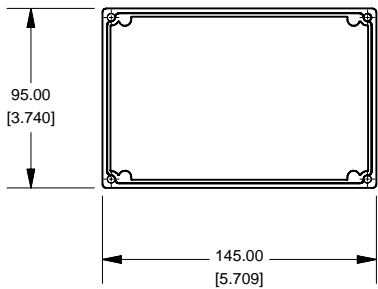
SECTION A-A
End View of Assembly



SECTION B-B
Side View of Assembly



Lid



Enclosures can be Factory Modified (Milling, Drilling, Printing etc.)
 Solid models of this enclosure available in STEP or IGES.
 Contact Factory jelkins@hammond-electronics.co.uk

| NOTE | |
|---|--|
| Purchased assembly includes Box, Deep Lid and 4 cover screws. | |

| Eddystone 10758PDLA | |
|---------------------|---|
| PART INFORMATION | |
| Part Number: | 10758PDLA |
| Material: | LM2 / LM24 Diecast Aluminum Alloy |
| Cover Screw Type: | M3.5 x 10 Countersunk (Screw Torque 75oz f.in or 55 cN. m) |



**HAMMOND
MANUFACTURING™**

10758PDLA

www.hammondmfg.com