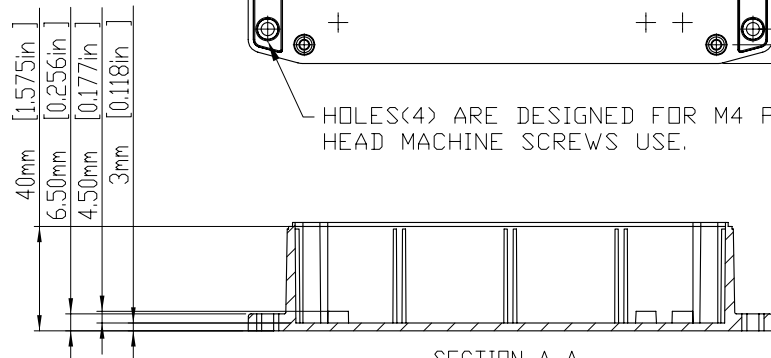
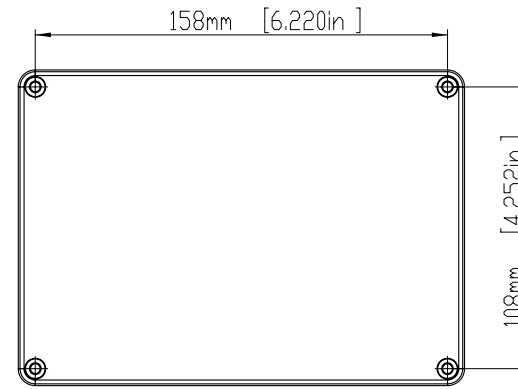
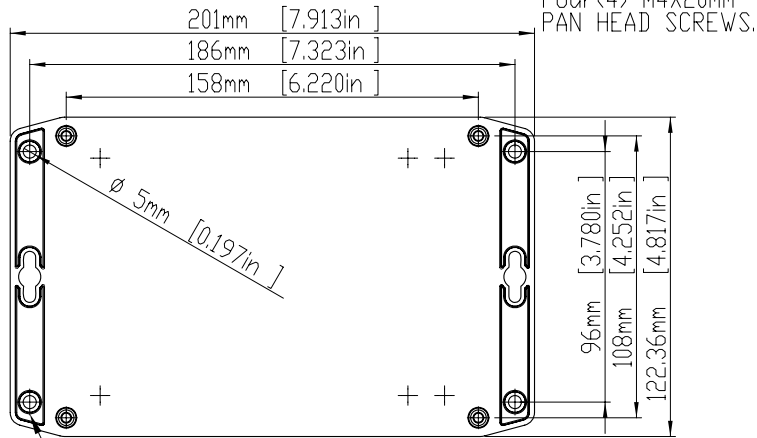
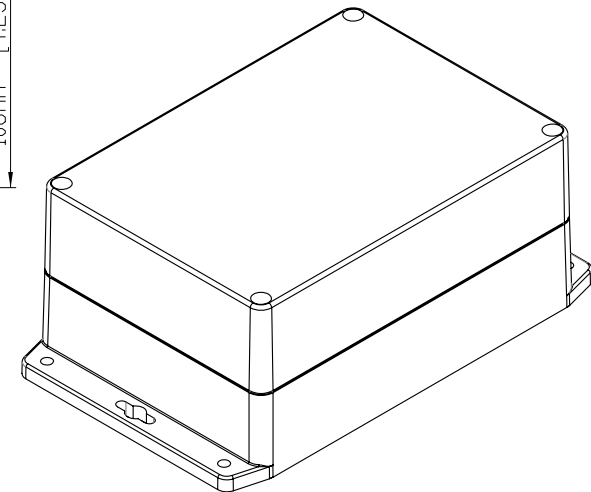


SECTION B-B



SECTION A-A

HOLES(4) ARE DESIGNED FOR M4 PAN HEAD MACHINE SCREWS USE.



TOLERANCES: $\pm 0.30\text{ mm} (\pm 0.012\text{ in})$

宣又實業有限公司
GAINTA INDUSTRIES LTD.

繪圖 DRA'D BY
JACKY

日期 DATE
2010/11/8

材質 MATE.
PC ; ABS

圖名 TITLE:
G223MF ; G340MF

圖號 DWG NO:

版次 REVISID:
A

STOCK NO.	MATERIAL	BASE-COLOR	COVER-COLOR
G223MF	POLYCARBONATE UL94-HB	LIGHT GRAY(RAL7035)	LIGHT GRAY(RAL7035)
G223CMF	POLYCARBONATE UL94-HB	LIGHT GRAY(RAL7035)	CLEAR
G340MF	ABS UL94-HB	DARK GRAY(RAL7000)	DARK GRAY(RAL7000)

宣又實業有限公司
GAINTA INDUSTRIES LTD.

繪圖 DRA'D BY
JACKY

日期 DATE
2010/11/30

材質 MATE.
PC;ABS

圖名TITLE:
G223MF ; G340MF

圖號DWG NO:

版次REVISID:

A