

IP68 Corrosion & Impact Resistant Enclosures Technical Specification

Manufactured from high quality aluminium, this range of enclosures offers strengthened resistance against salt spray and other corrosive elements.

Combined with increased impact resistance properties, they are ideal for placement in environments where high moisture or corrosive substance levels are present.

The range maintains IP68 with corrosion resistance for up to 1000 hours in salt spray, plus impact resistance of up to 7 joules, as per EN 60079.

Finished in a textured powder coating using Epoxy-Polyester (Hybrid).



For more information:

Phone: +44 (0)1724 273206

Features:

- Corrosion Resistant
- Manufactured from GD-ALSi12
- High Impact Resistance (Whilst maintaining ingress protection)
- Longer Lifespan
- Rated IP68 (IP66 also available)

Typical Industries:

- Marine
- Automotive
- Deep water applications
- Factories with a high level of moisture or corrosive substances

Available Dimensions:

45 x 50 x 30mm	250 x 80 x 57mm
64 x 58 x 34mm	100 x 100 x 81mm
75 x 80 x 57mm	122 x 120 x 81mm
125 x 80 x 57mm	122 x 120 x 91mm
175 x 80 x 57mm	140 x 140 x 91mm

Finish: A textured powder coating, using Epoxy-Polyester (Hybrid).

Colours: Available in Grey (from stock), Black or Red (to order).

Customisation: We can machine and populate the enclosures to meet your specification.

- Visit our website for a complete services list.

DEM Manufacturing

Deltron Emcon House,
Hargreaves Way,
Sawcliffe Industrial Park,
Scunthorpe, DN15 8RF.

DELTRON Enclosures

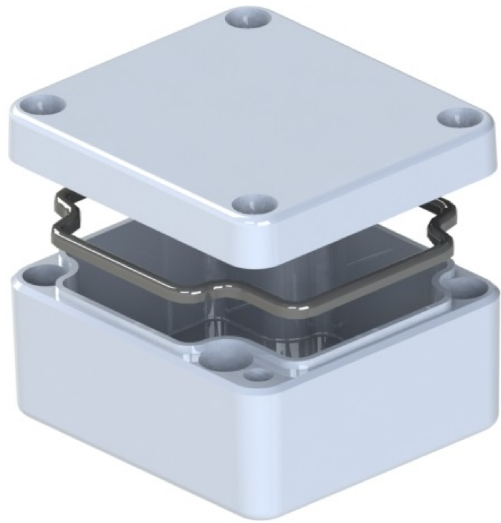
Web: www.dem-uk.com/deltron-enclosures

Tel: +44 (0) 1724 273206

Fax: +44 (0) 1724 280353

Email: sales@dem-uk.com

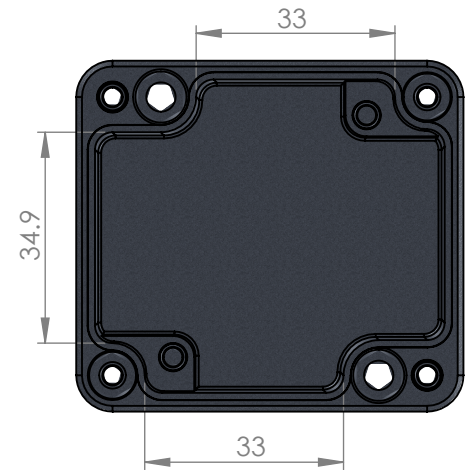
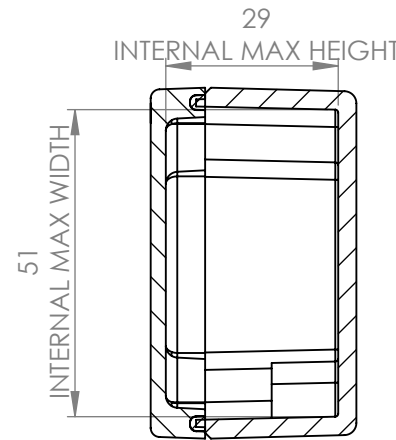
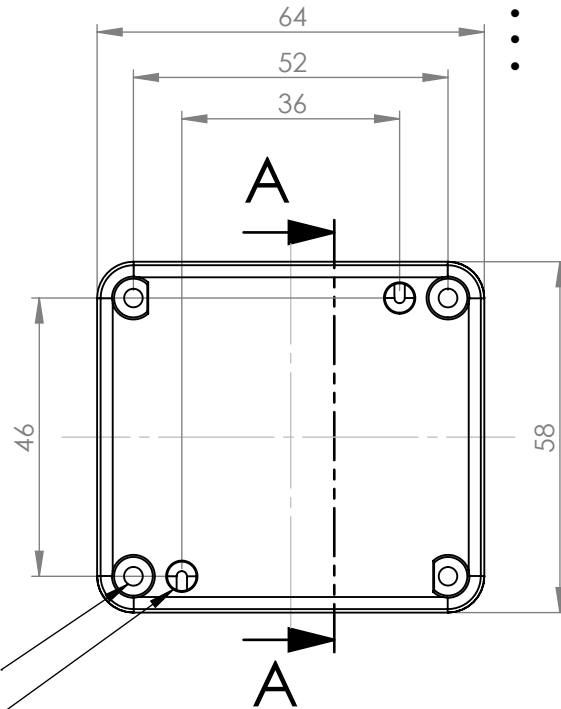
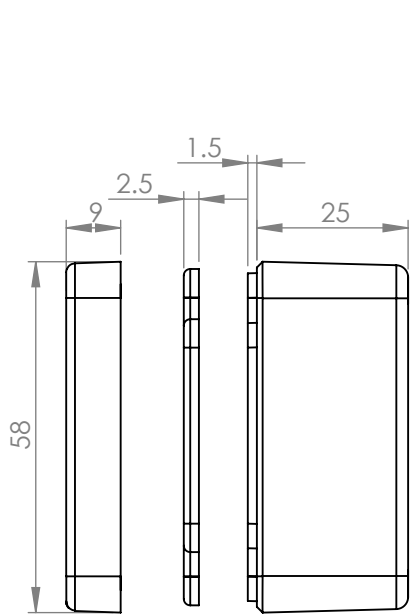
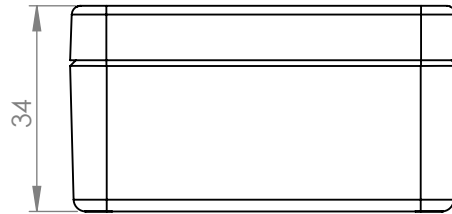
REV	DATE	ECN NUMBER	ECR COMMENT
004	06 Jun 2017	4834	
003	26 May 2017	4834	



LENGTH	WIDTH	HEIGHT	PLAIN	POWDER COAT
45	50	30	489-060503-68	490-060503*-68
BOX DIMENSIONS IN MM			COLOUR OPTION - COLOUR SUFFIX * - GREY=A	

HEAVY DUTY ENCLOSURE IP68 CORROSION + IMPACT RESISTANT BOX & LID ASSEMBLY

- Material EN AC-AISi(Fe) to DIN EN 1706 (GD-AISi12 to DIN 1725)
- IP68 Test as per IS/IEC 60529:2001 depth of 1 meter for 24 hours
- Shock resistance 7 Joules in accordance with EN 60079-0:2004 without impairment of protection
- Seal supplied neoprene moulded and replaceable. Has flat seal face (moulded silicon available on request)
- Min enclosure wall thickness 2.4mm
- Min enclosure lid thickness 2.4mm
- Enclosures can be supplied fully factory customised to your specification
- Powder coating 70-90 µm external 50-70 µm internal where specified
- Salt spray >1000h
- Screws stainless steel captive
- Lid screw torque rating M4-1.5Nm & M6-5.2Nm



SECTION A-A