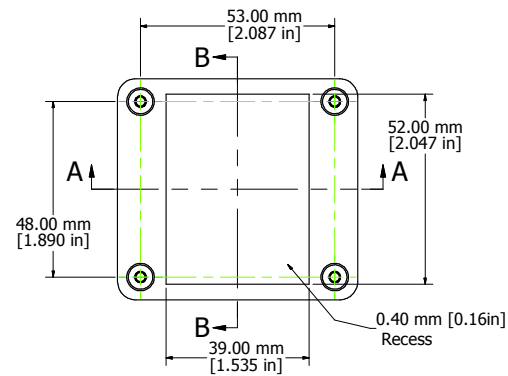
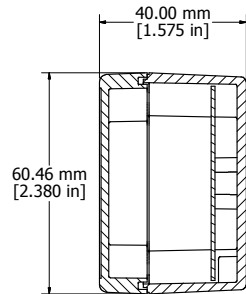


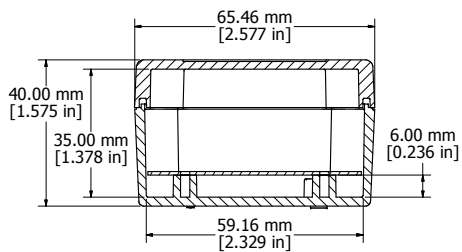
8 | 7 | 6 | 5 | 4 | 3 | 2 | 1



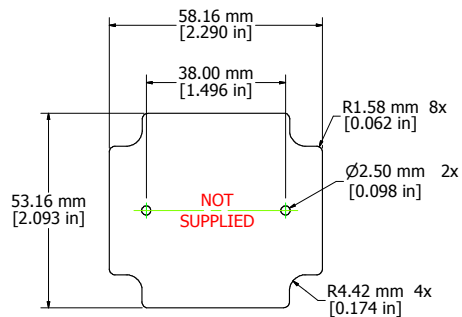
ASSEMBLY - TOP



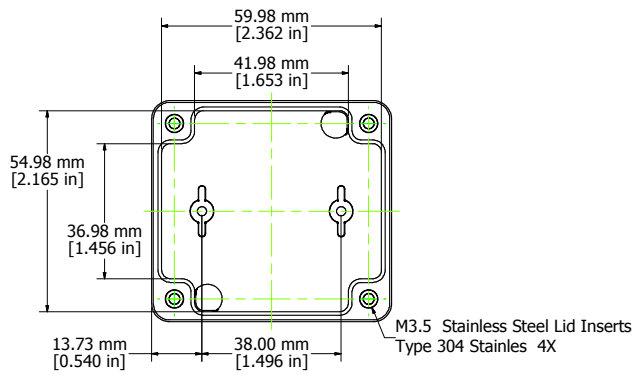
SECTION B-B



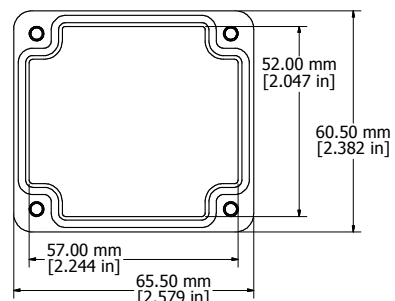
SECTION A-A



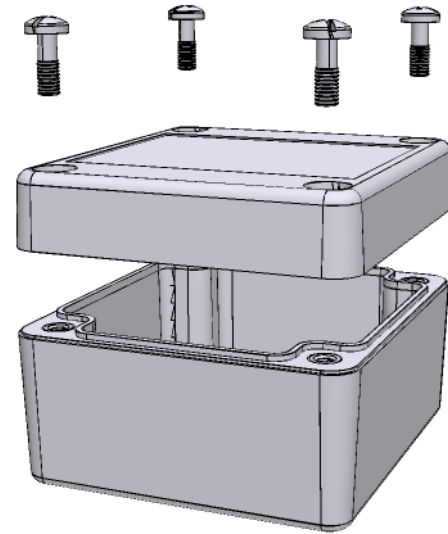
INNER PANEL



BOX - INSIDE



LID - INSIDE



<b>CP-RP1025</b>
Material: ABS (UL94-HB), Light Gray color
Lid Screws: M3.5 x 10, 304 Stainless
GASKET: EDPM Cord.
Circuit Board Screws, 4 Supplied (M3 self tap)
Suggested Lid Screw Torque: 30 ozf-in (21 cN-m)



8 | 7 | 6 | 5 | 4 | 3 | 2 | 1