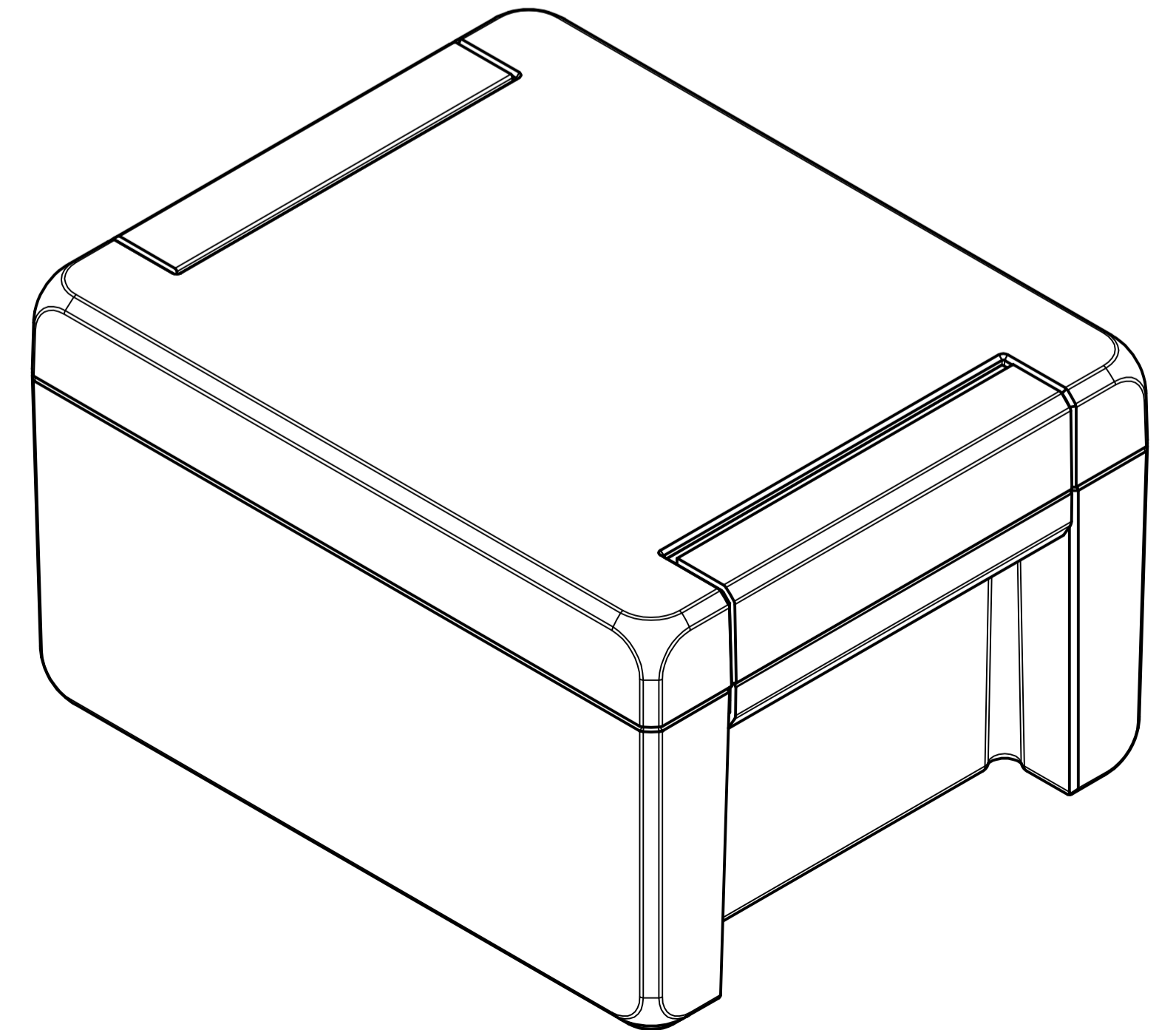
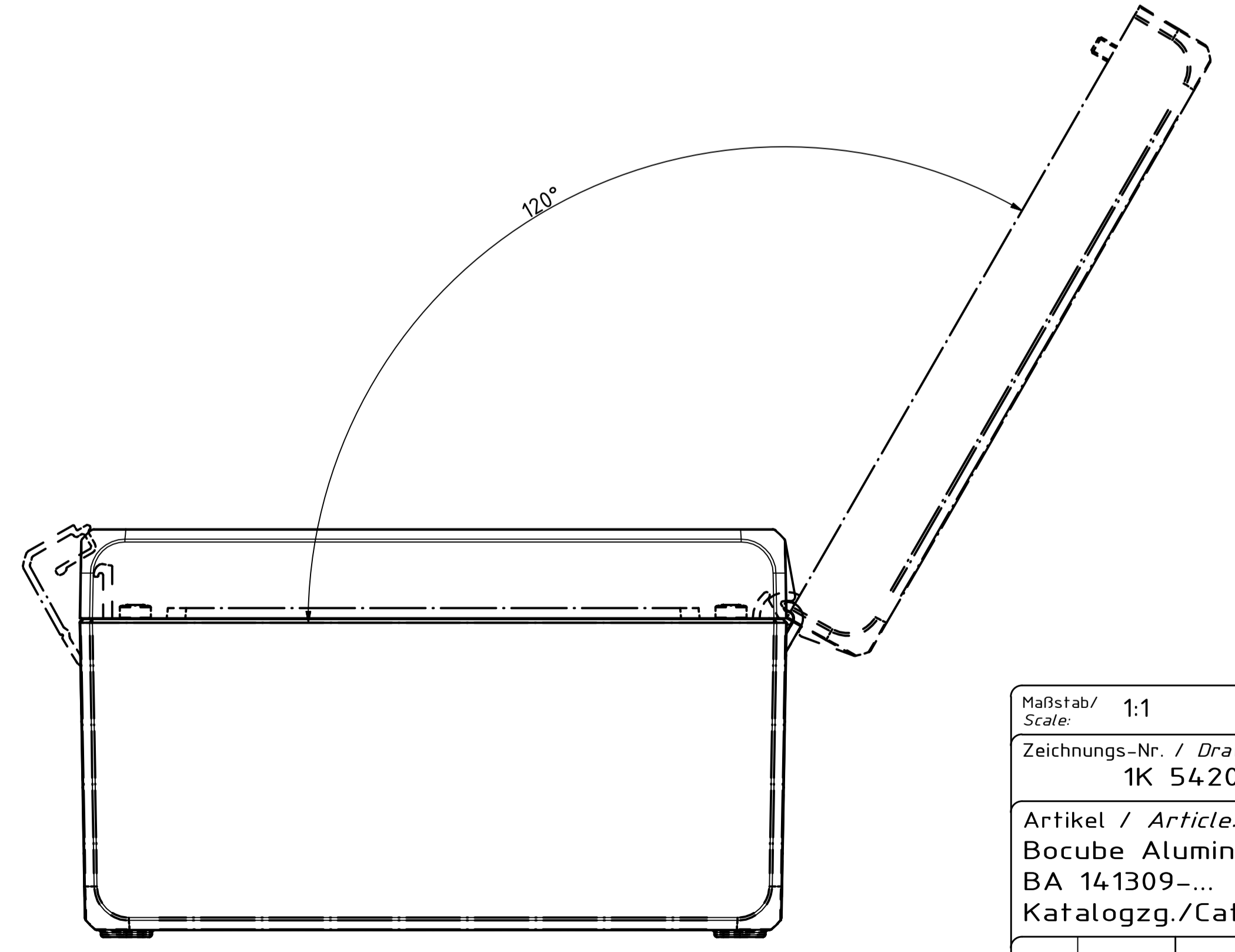
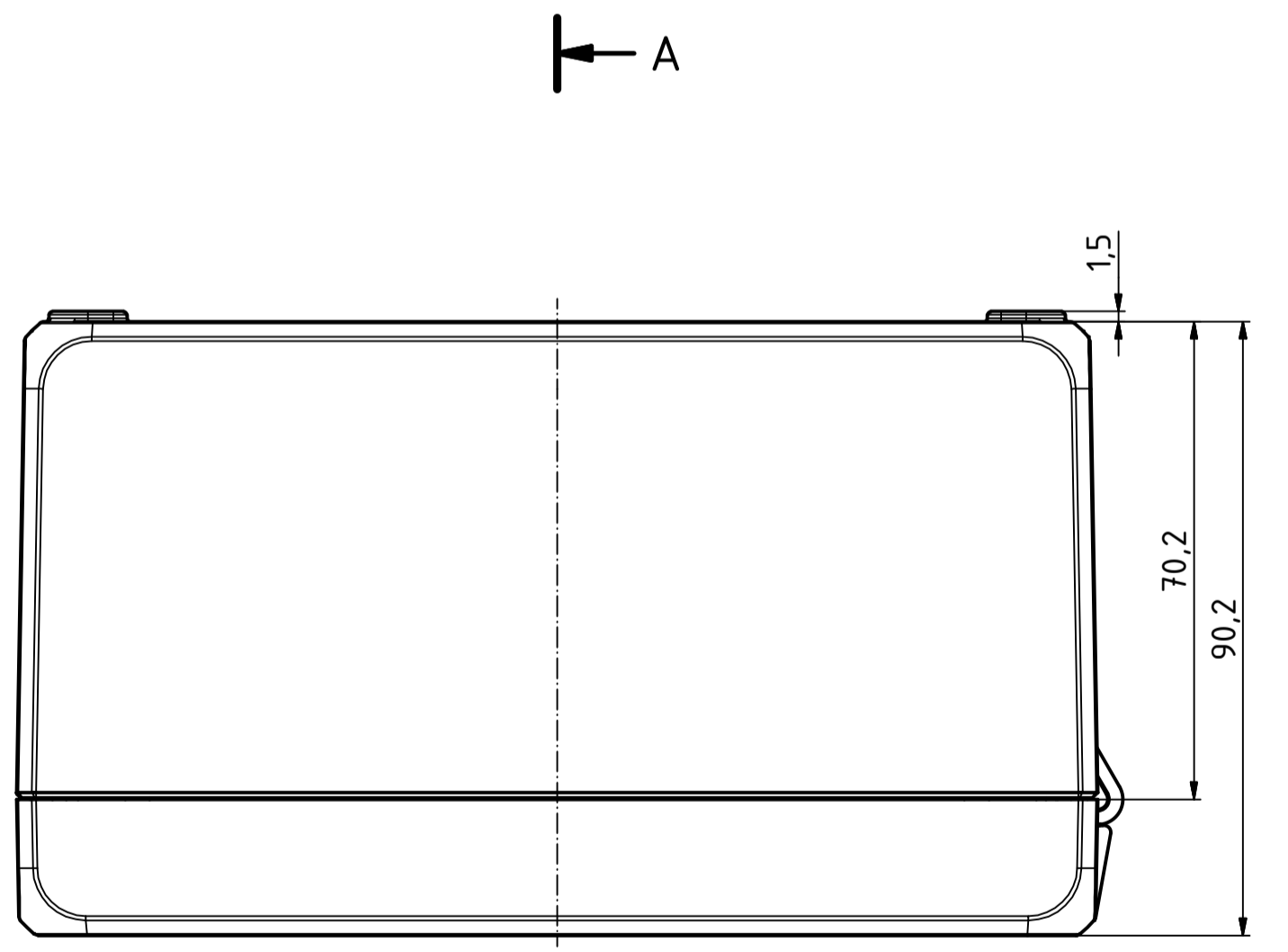
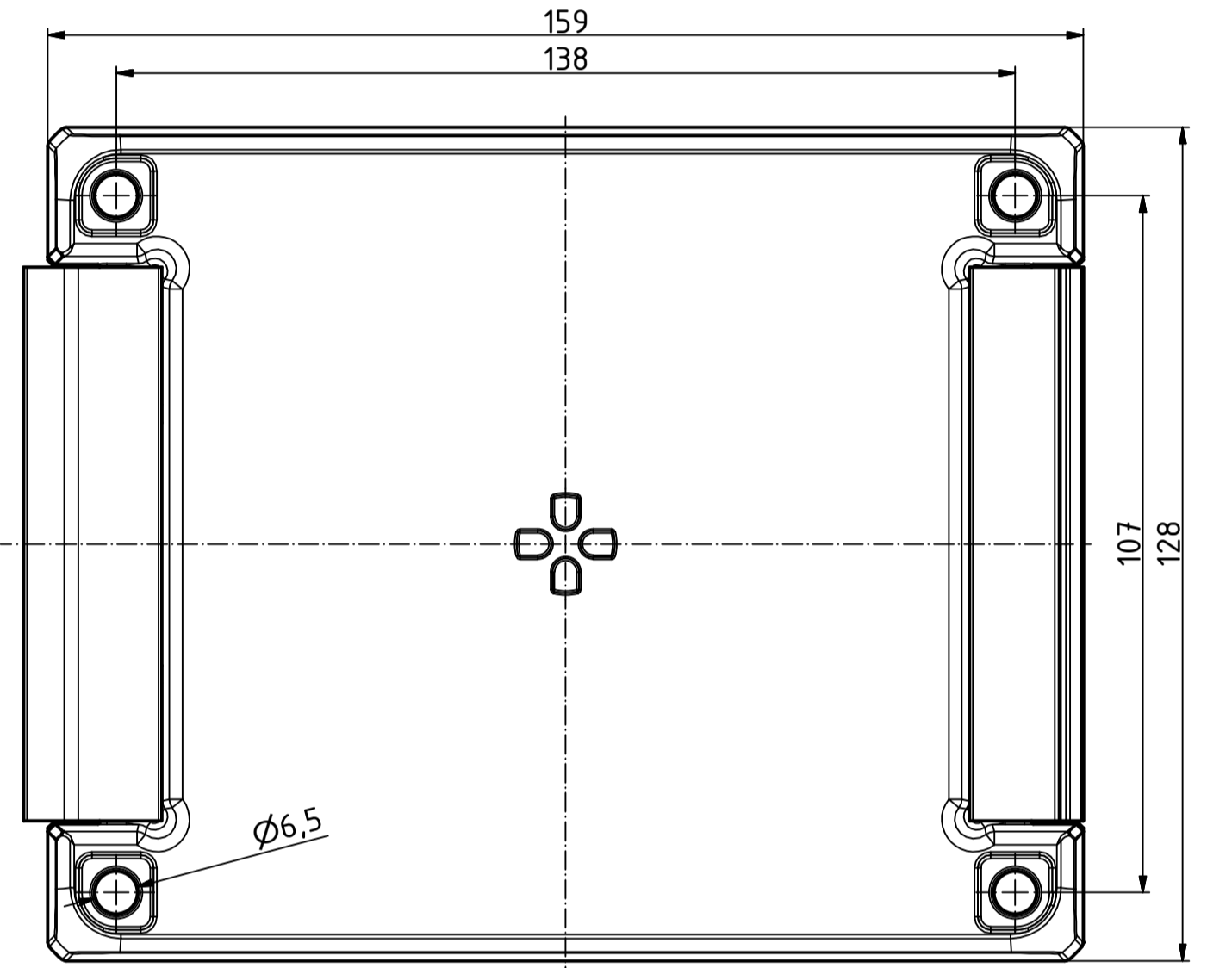
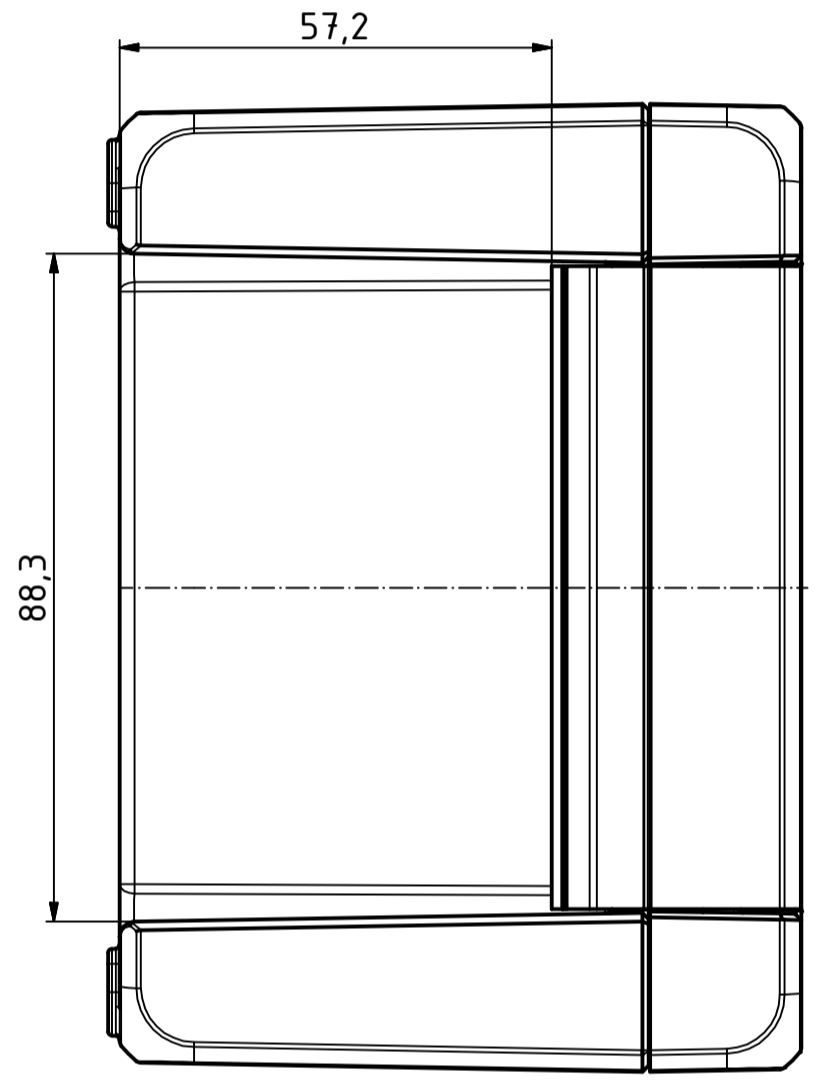
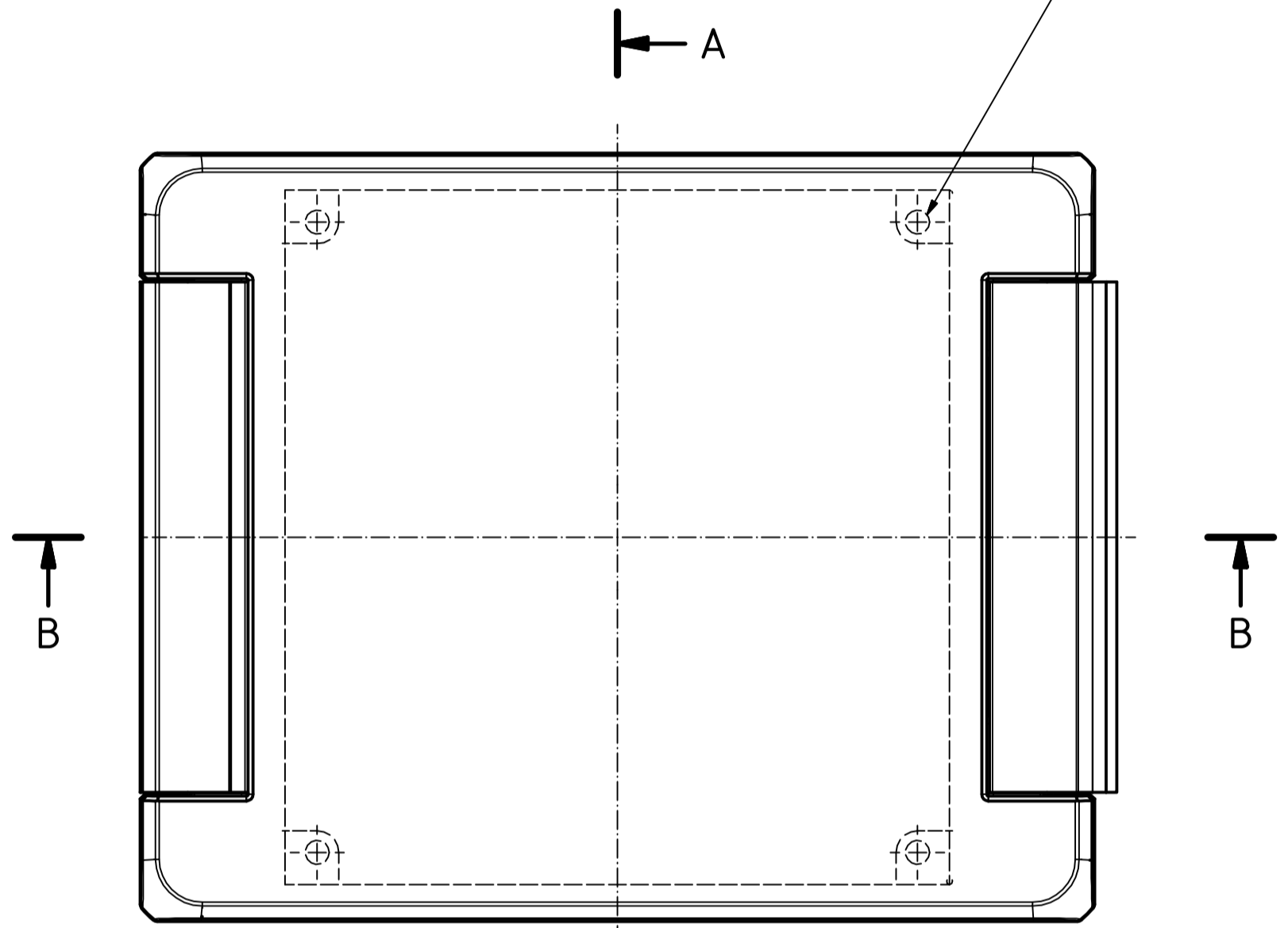
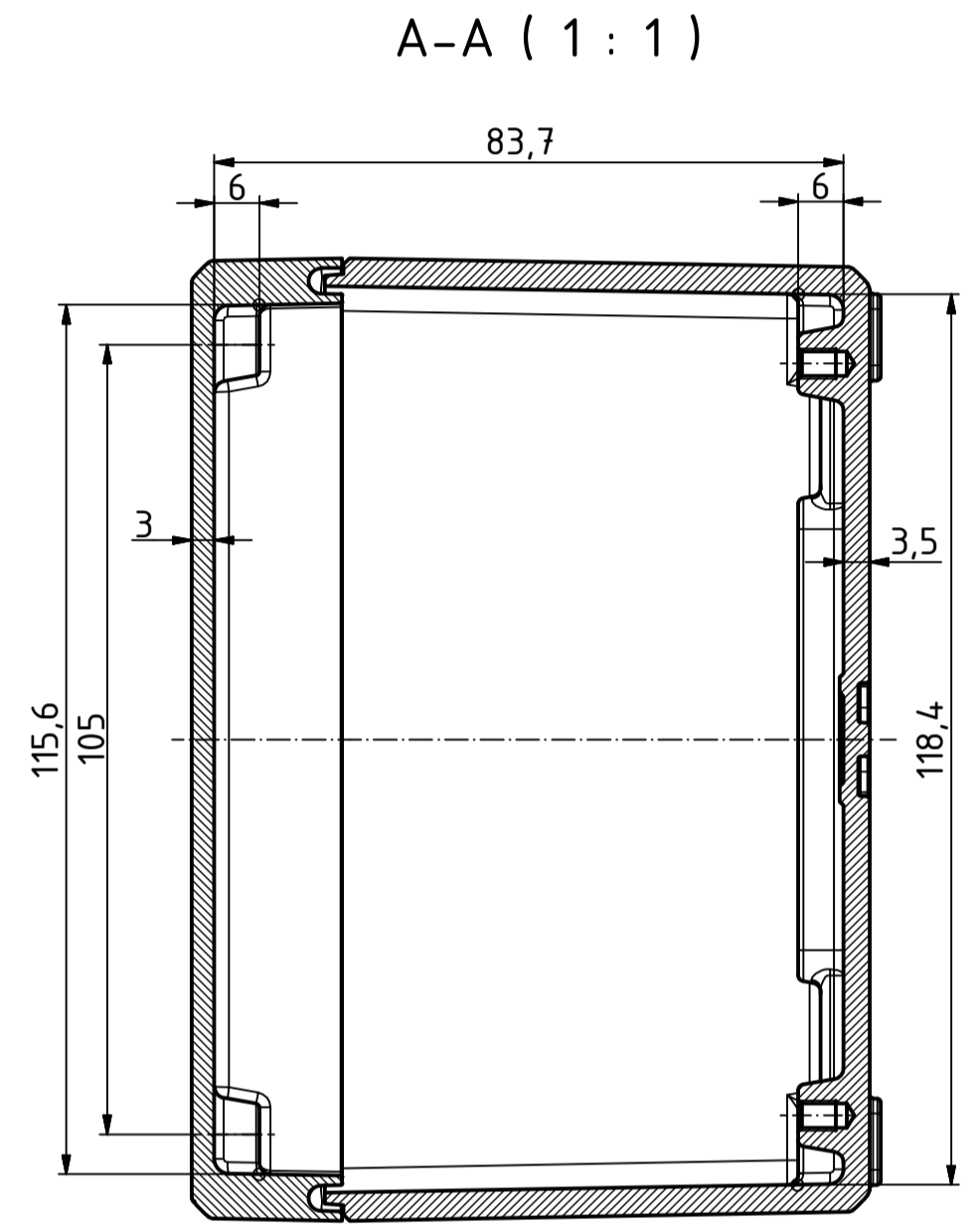
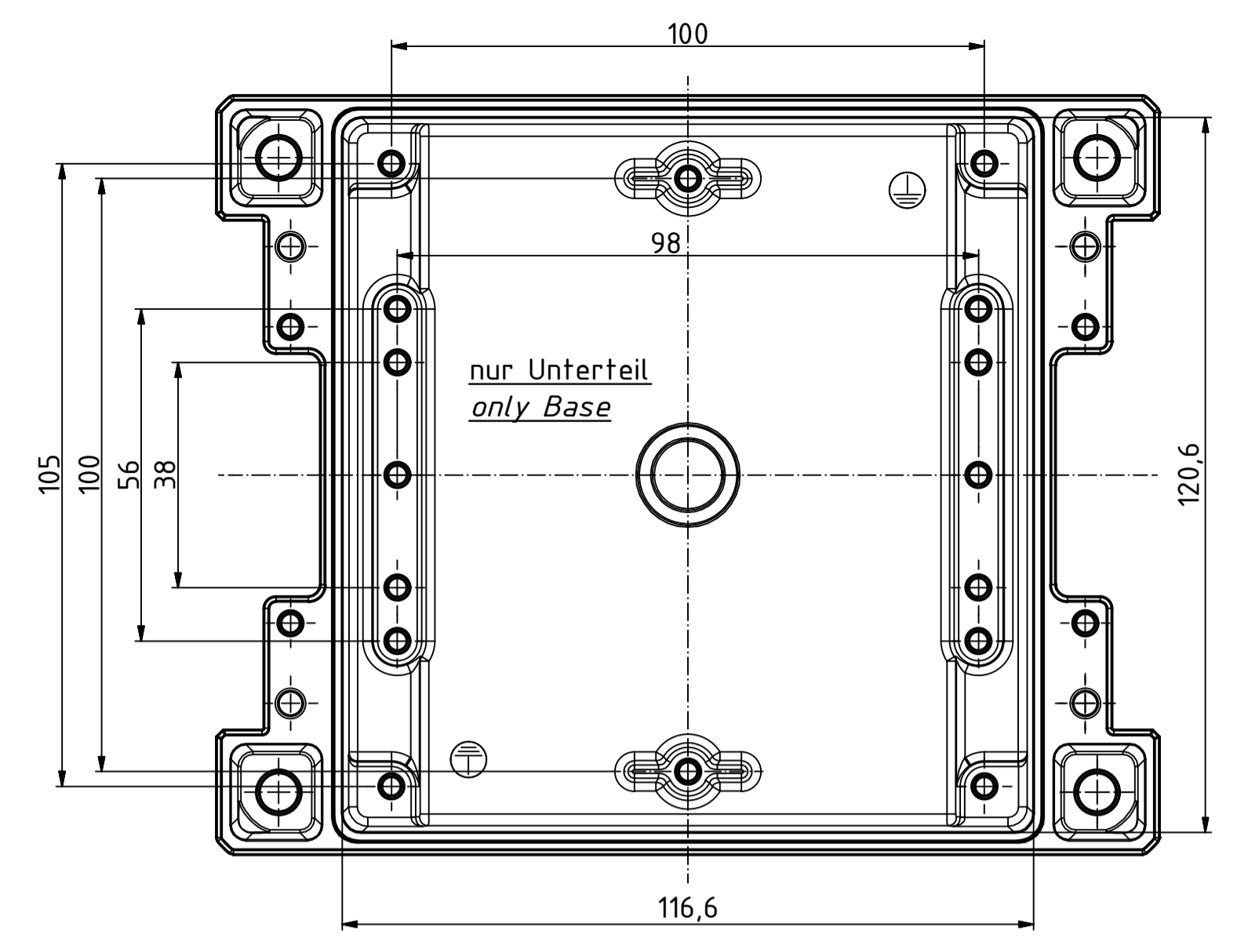
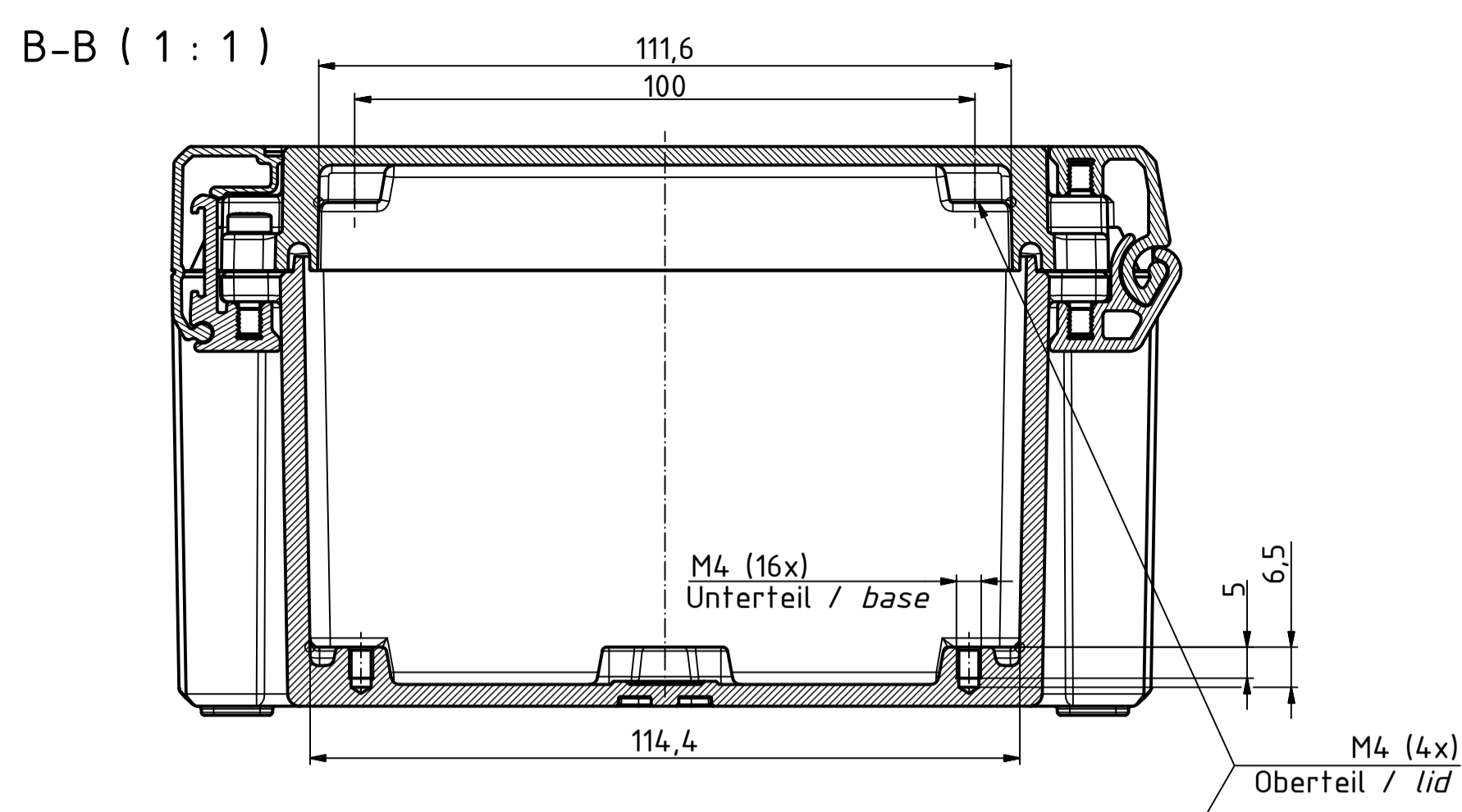



"Schutzvermerk nach DIN ISO 16016 beachten" - "Please pay attention to copyright note DIN ISO 16016"



| | |
|-------------------------------|------------------------------------|
| Maßstab/ Scale: | 1:1 |
| Zeichnungs-Nr. / Drawing-No.: | 1K 54.20.035.01 |
| Artikel / Article: | Bocube Aluminium BA 14.1309-... |
| | Katalogzg./Catalogue draw. |
| A.Nr./ Alt.No.: | |
| Datum/ Date: | |
| DISK: | 24.03711.idw |
| Datum/Date: | 25.09.2014 FW |



BOPLA
A Phoenix Mecano Company