

# DESKTOP IP54 PLASTIC CASES



## PRODUCT INFORMATION

### MATERIAL:

- High impact ABS UL94-HB and UL94-V0 are available in different color.

### FEATURES:

- Desktop ABS instrument cases with moulded PCB stand-offs, vertical card guides and brass inserts for repetitive assembly/disassembly.
- Four M3 screws and rubber feet are provided. (Except G738, G738A, G706, G706A).

**MATERIAL: ABS, UL94-HB**

TYPE A: with PLASTIC PANEL

ITEM No.	COLOR		RUBBER FEET	EXTERNAL DIMENSION(mm)
	LID/BASE	PLASTIC PANEL		
G738	Light Grey	Black	No	140 x 110 x 35
G747	Light Grey	Black	Yes	225 x 165 x 40
G748	Light Grey	Black	Yes	225 x 165 x 65
G749	Light Grey	Black	Yes	225 x 165 x 90
G750	Light Grey	Black	Yes	245 x 175 x 50
G751	Light Grey	Black	Yes	245 x 175 x 70
G752	Light Grey	Black	Yes	245 x 175 x 90
G753	Light Grey	Black	Yes	260 x 180 x 85
G754	Light Grey	Black	Yes	260 x 180 x 105
G758	Light Grey	Black	Yes	260 x 180 x 65
G758V	Light Grey	Black	Yes	260 x 180 x 65
G756	Light Grey	Black	Yes	300 x 200 x 75
G756V	Light Grey	Black	Yes	300 x 200 x 75

TYPE B: with ALUMINIUM PANEL

ITEM No.	COLOR		RUBBER FEET
	LID/BASE	ALUMINIUM PANEL	
G738A	Light Grey	Natural	No
G747A	Light Grey	Natural	Yes
G748A	Light Grey	Natural	Yes
G749A	Light Grey	Natural	Yes
G750A	Light Grey	Natural	Yes
G751A	Light Grey	Natural	Yes
G752A	Light Grey	Natural	Yes
G753A	Light Grey	Natural	Yes
G754A	Light Grey	Natural	Yes
G758A	Light Grey	Natural	Yes
G758AV	Light Grey	Natural	Yes
G756A	Light Grey	Natural	Yes
G756AV	Light Grey	Natural	Yes

**MATERIAL: ABS, UL94-V0**

TYPE A: with PLASTIC PANEL

ITEM No.	COLOR		RUBBER FEET	EXTERNAL DIMENSION(mm)
	LID/BASE	PLASTIC PANEL		
G706	Dark Grey	Light Grey	No	140 x 110 x 35
G715	Dark Grey	Light Grey	Yes	225 x 165 x 40
G716	Dark Grey	Light Grey	Yes	225 x 165 x 65
G717	Dark Grey	Light Grey	Yes	225 x 165 x 90
G720	Dark Grey	Light Grey	Yes	245 x 175 x 50
G721	Dark Grey	Light Grey	Yes	245 x 175 x 70
G722	Dark Grey	Light Grey	Yes	245 x 175 x 90
G731	Dark Grey	Light Grey	Yes	260 x 180 x 85
G733	Dark Grey	Light Grey	Yes	260 x 180 x 105
G729	Dark Grey	Light Grey	Yes	260 x 180 x 65
G729V	Dark Grey	Light Grey	Yes	260 x 180 x 65
G735	Dark Grey	Light Grey	Yes	300 x 200 x 75
G735V	Dark Grey	Light Grey	Yes	300 x 200 x 75

TYPE B: with ALUMINIUM PANEL

ITEM No.	COLOR		RUBBER FEET
	LID/BASE	ALUMINIUM PANEL	
G706A	Dark Grey	Natural	No
G715A	Dark Grey	Natural	Yes
G716A	Dark Grey	Natural	Yes
G717A	Dark Grey	Natural	Yes
G720A	Dark Grey	Natural	Yes
G721A	Dark Grey	Natural	Yes
G722A	Dark Grey	Natural	Yes
G731A	Dark Grey	Natural	Yes
G733A	Dark Grey	Natural	Yes
G729A	Dark Grey	Natural	Yes
G729AV	Dark Grey	Natural	Yes
G735A	Dark Grey	Natural	Yes
G735AV	Dark Grey	Natural	Yes

**NOTE:**

- Stock No. with "A" at the end is case with aluminium panels.
- Stock No. with "V" at the end is case with venting holes.

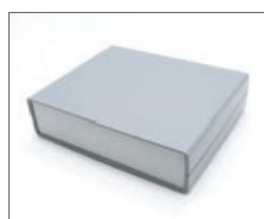
**Example**



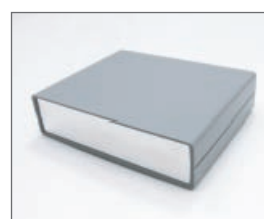
G738



G738A



G706

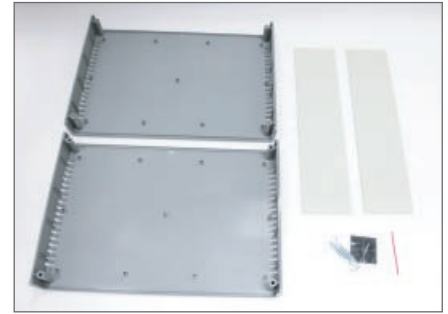
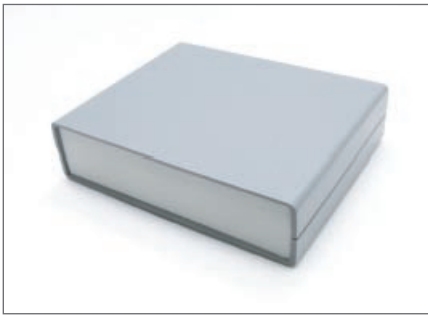


G706A



G729AV

Content

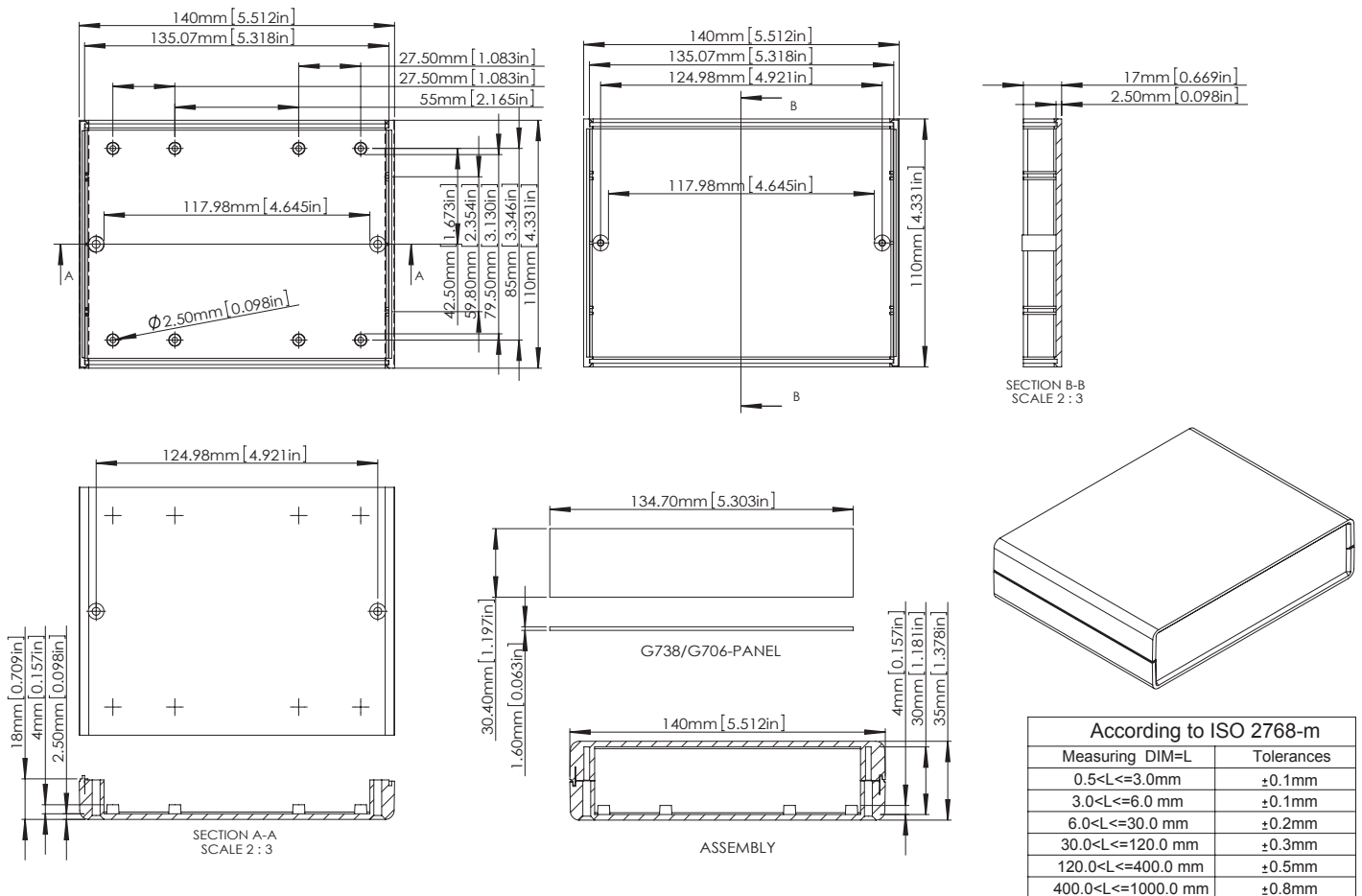


G706

G738A

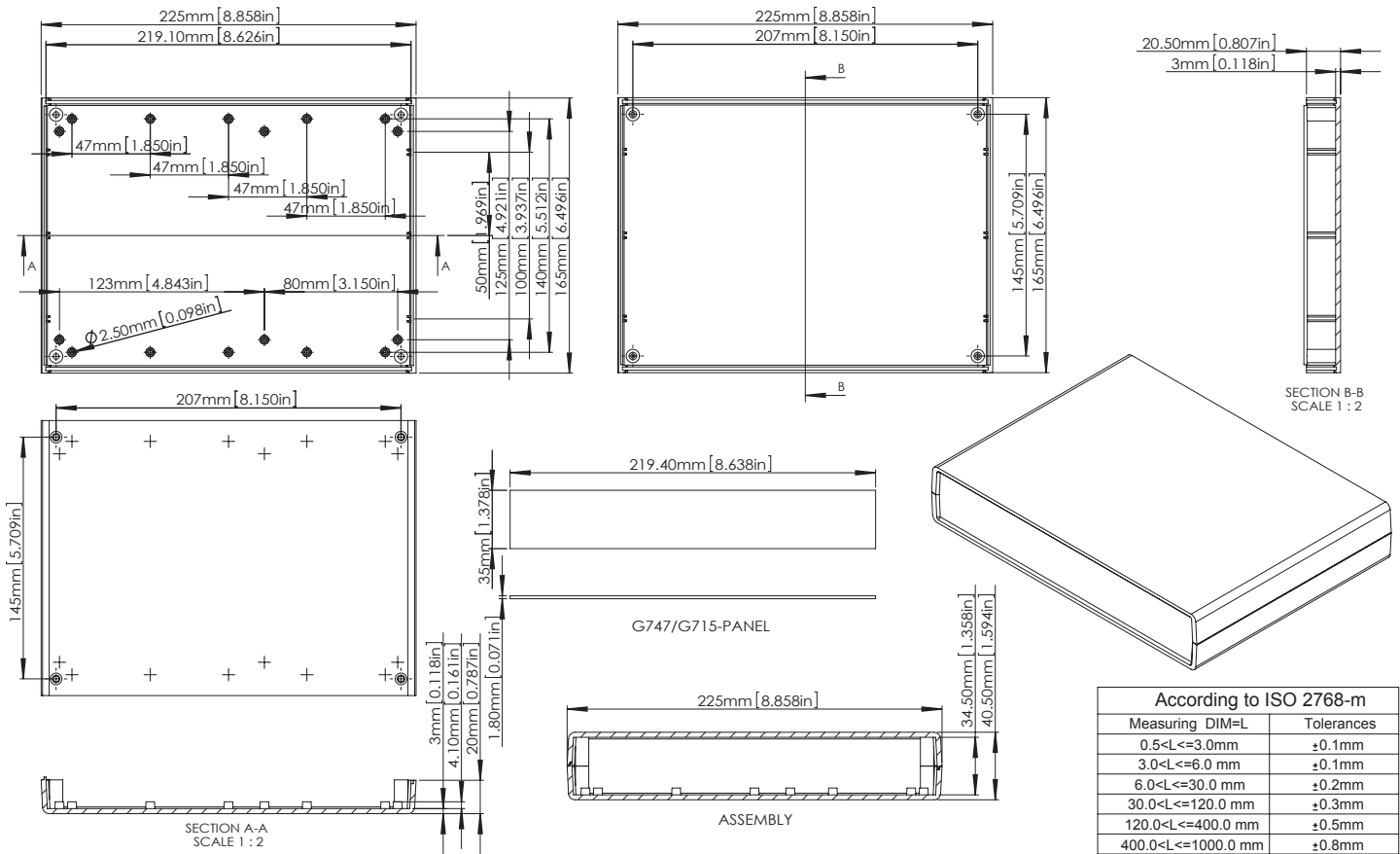
G729V

G738 / G706

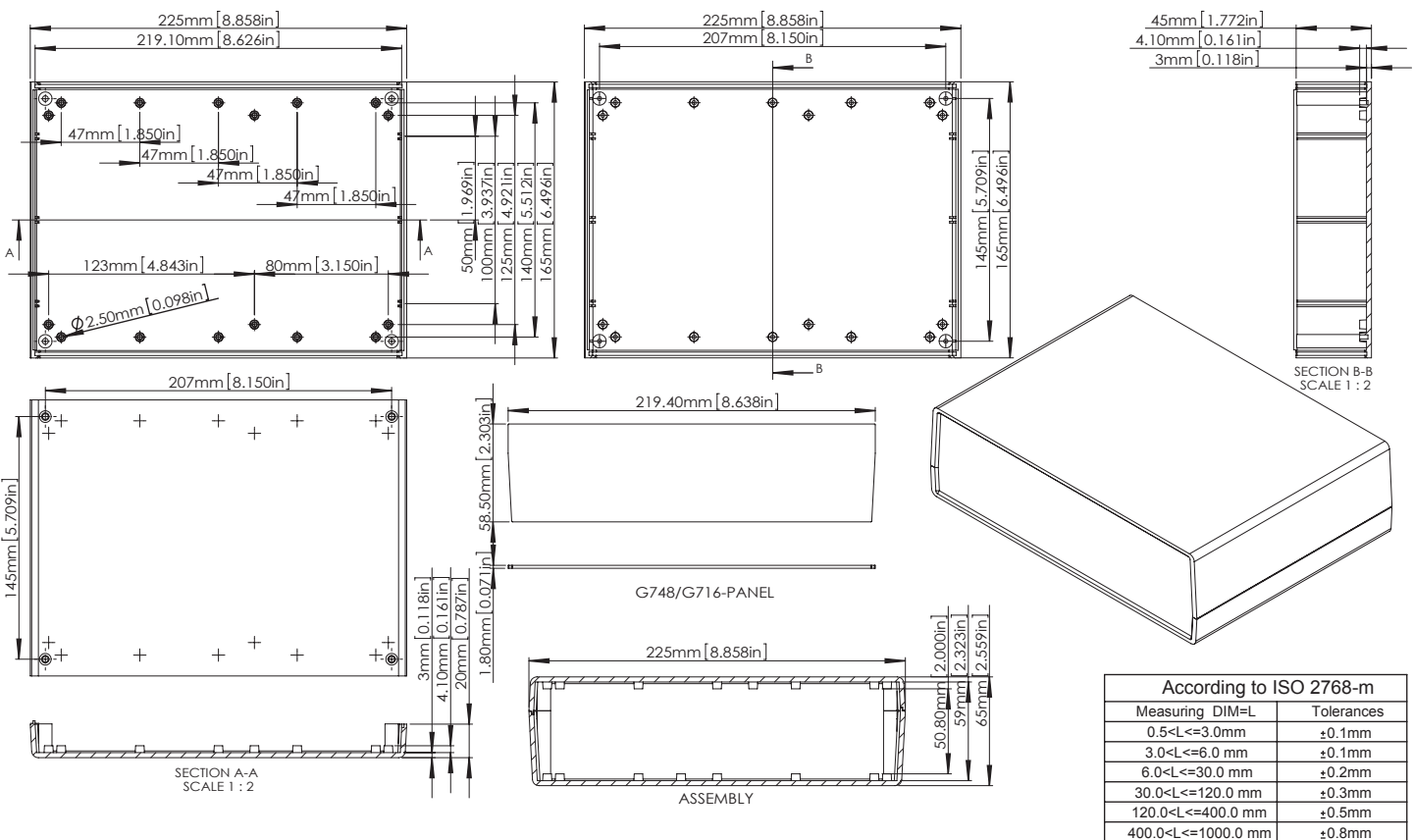


According to ISO 2768-m	
Measuring DIM=L	Tolerances
0.5<L<=3.0mm	±0.1mm
3.0<L<=6.0 mm	±0.1mm
6.0<L<=30.0 mm	±0.2mm
30.0<L<=120.0 mm	±0.3mm
120.0<L<=400.0 mm	±0.5mm
400.0<L<=1000.0 mm	±0.8mm

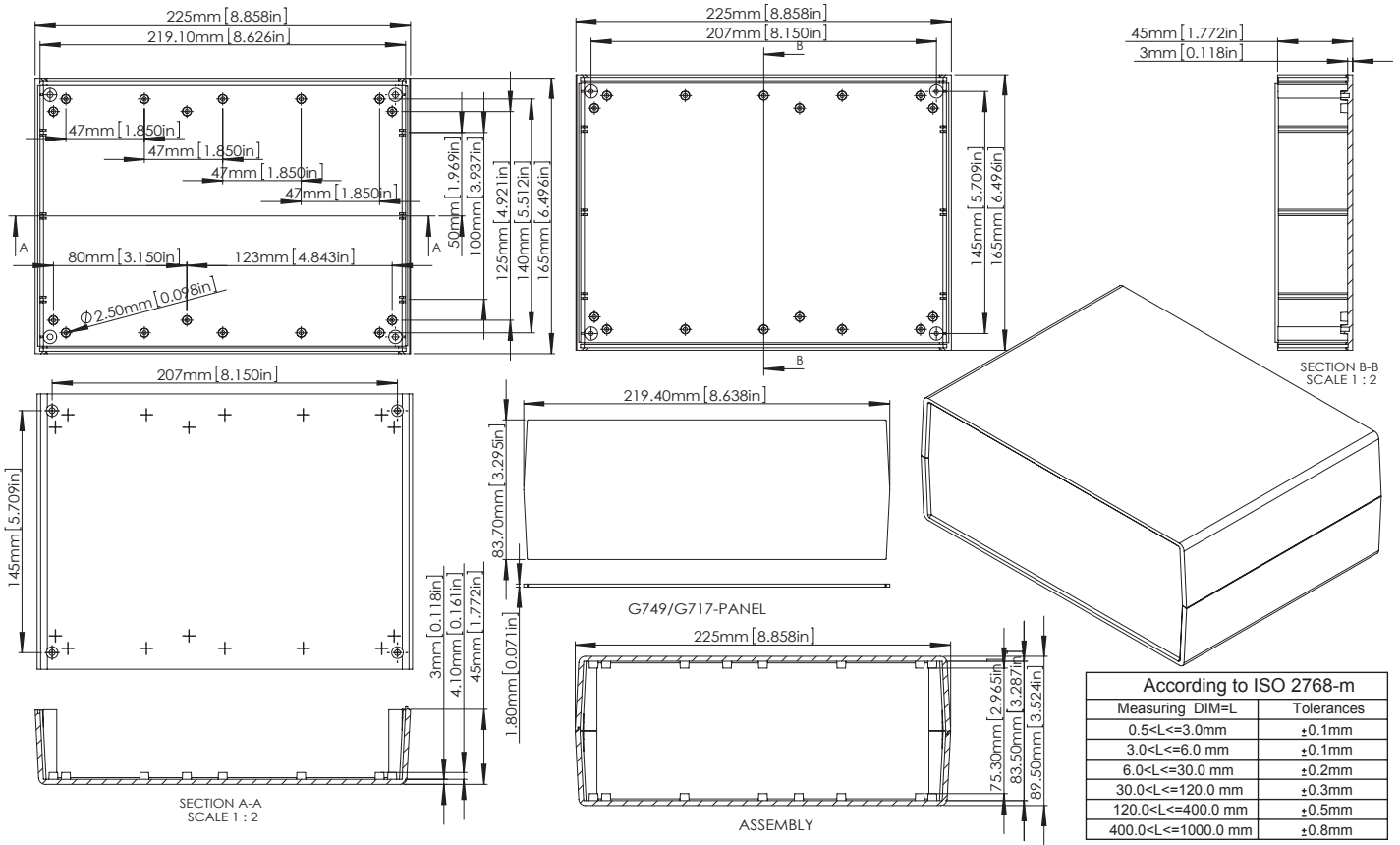
## G747 / G715



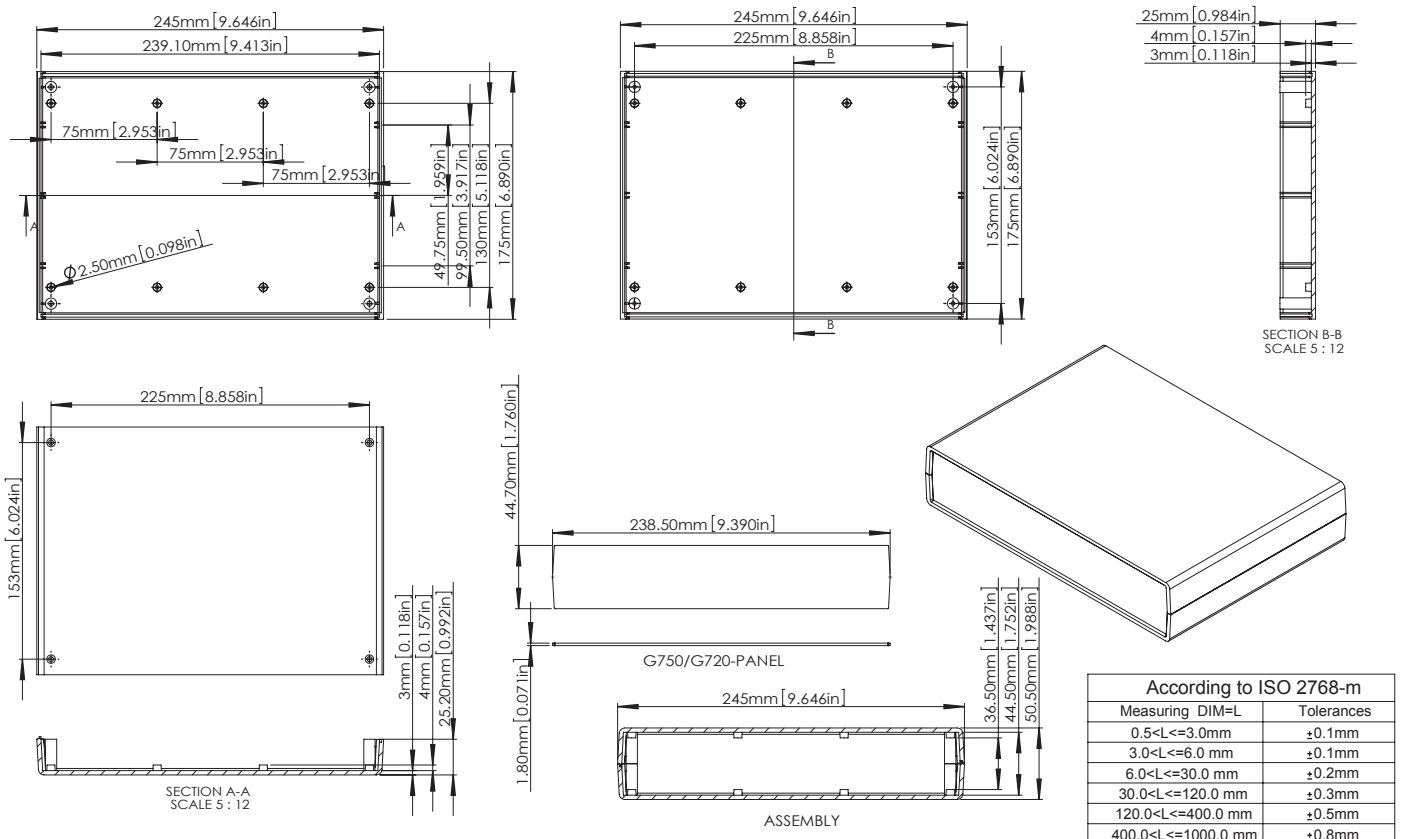
## G748 / G716



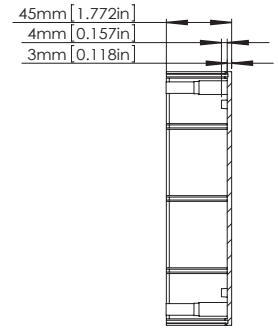
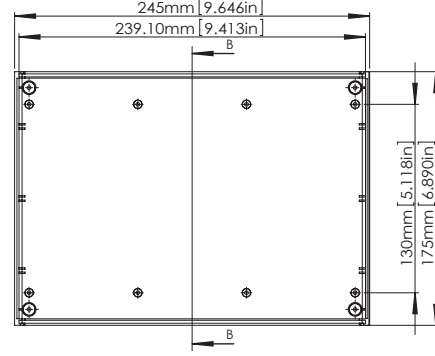
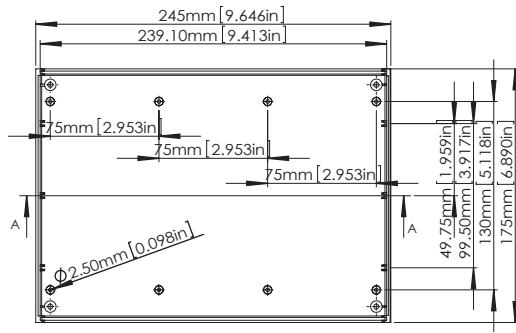
## G749 / G717



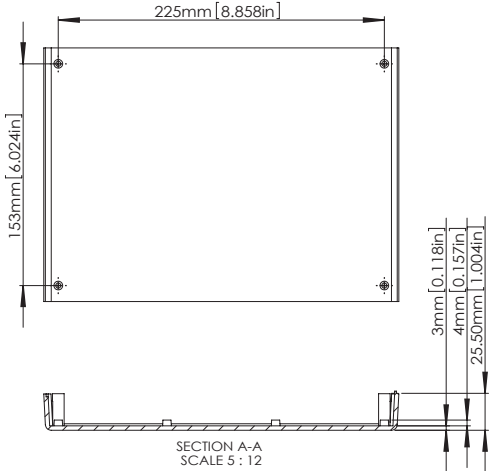
## G750 / G720



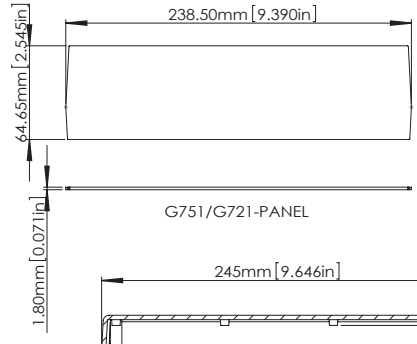
# G751 / G721



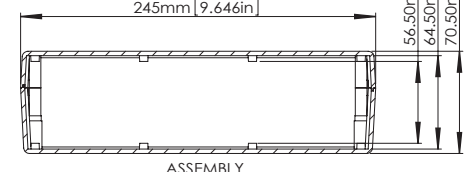
SECTION B-B  
SCALE 5 : 12



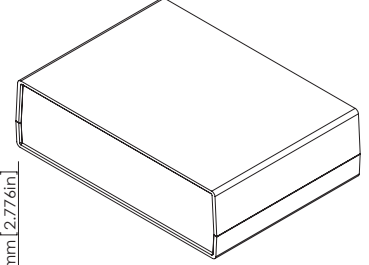
SECTION A-A  
SCALE 5 : 12



G751/G721-PANEL

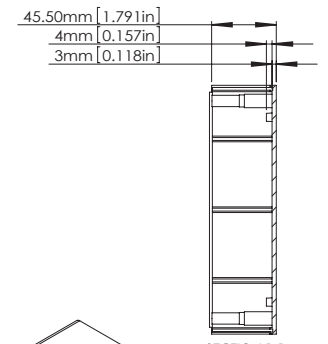
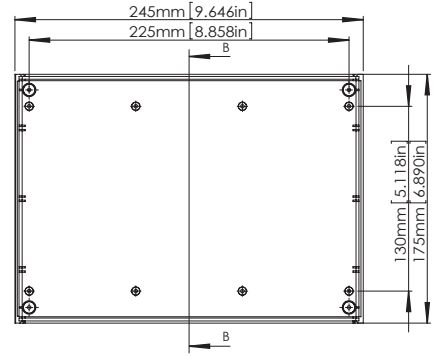
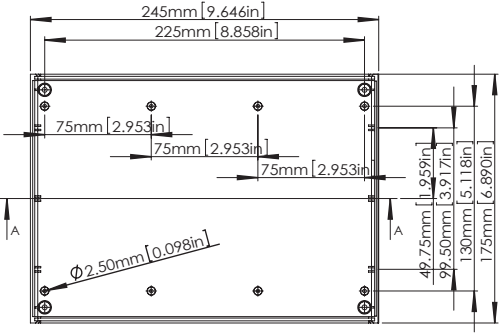


ASSEMBLY

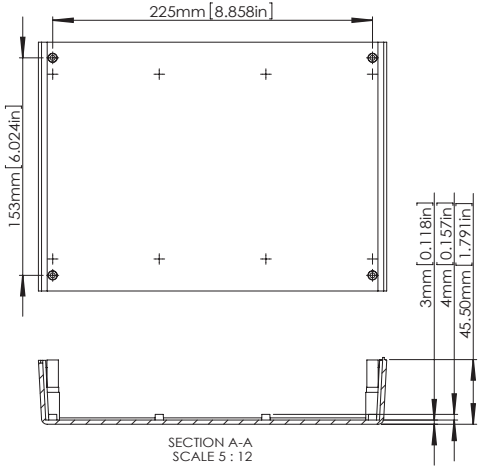


According to ISO 2768-m	
Measuring DIM=L	Tolerances
0.5<L<=3.0mm	±0.1mm
3.0<L<=6.0 mm	±0.1mm
6.0<L<=30.0 mm	±0.2mm
30.0<L<=120.0 mm	±0.3mm
120.0<L<=400.0 mm	±0.5mm
400.0<L<=1000.0 mm	±0.8mm

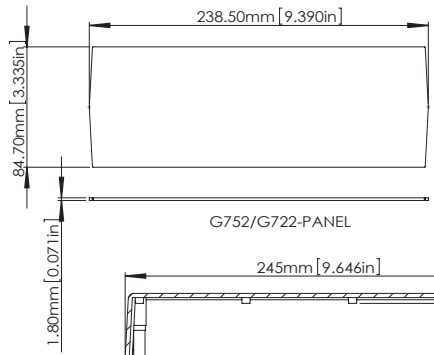
# G752 / G722



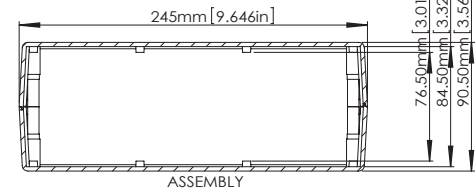
SECTION B-B  
SCALE 5 : 12



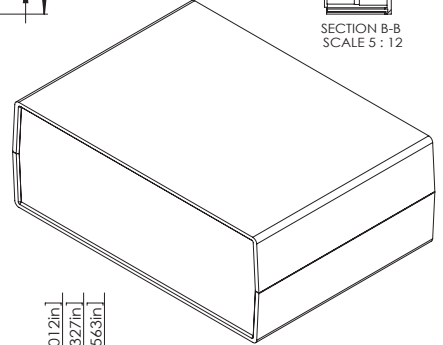
SECTION A-A  
SCALE 5 : 12



G752/G722-PANEL

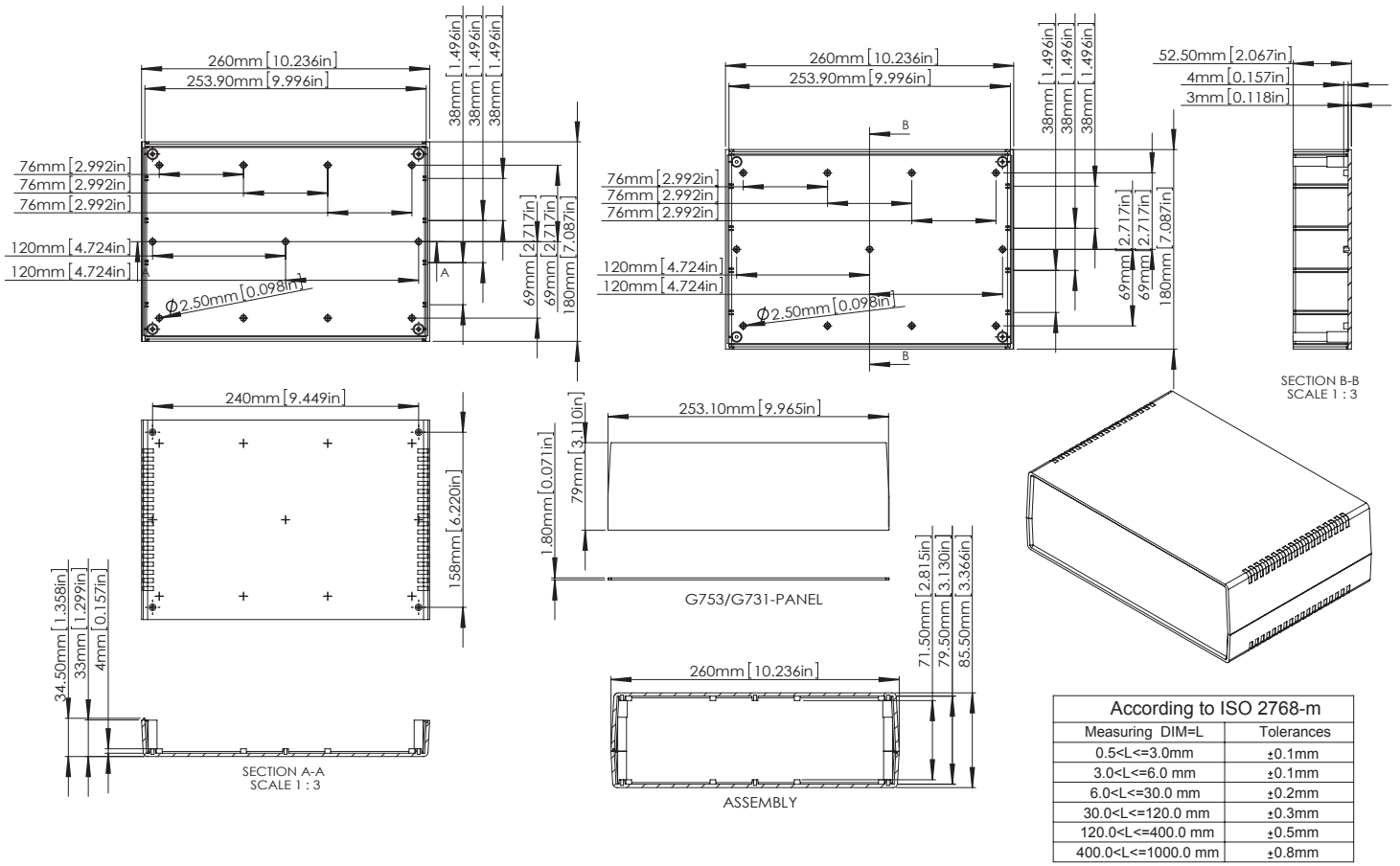


ASSEMBLY

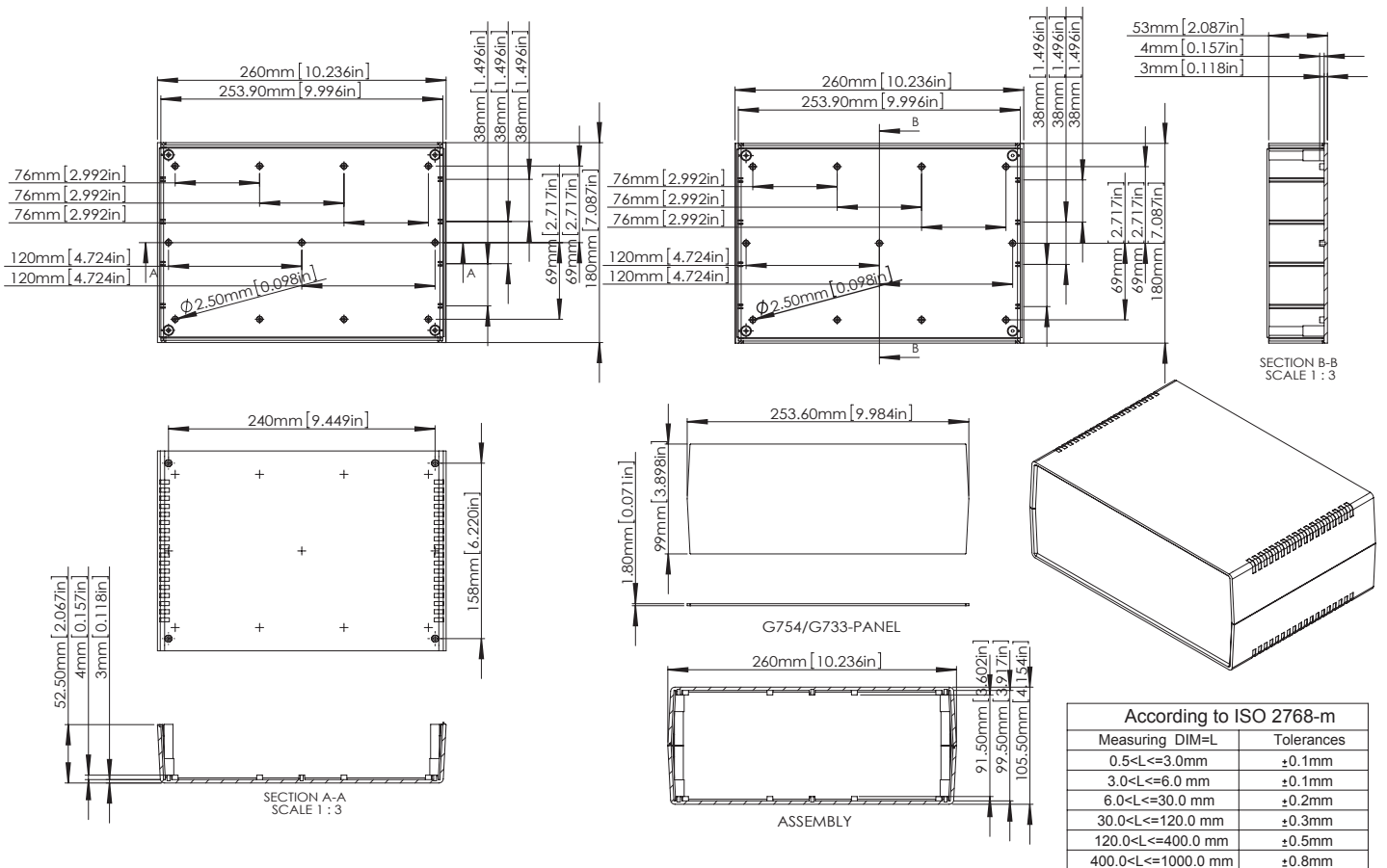


According to ISO 2768-m	
Measuring DIM=L	Tolerances
0.5<L<=3.0mm	±0.1mm
3.0<L<=6.0 mm	±0.1mm
6.0<L<=30.0 mm	±0.2mm
30.0<L<=120.0 mm	±0.3mm
120.0<L<=400.0 mm	±0.5mm
400.0<L<=1000.0 mm	±0.8mm

## G753 / G731

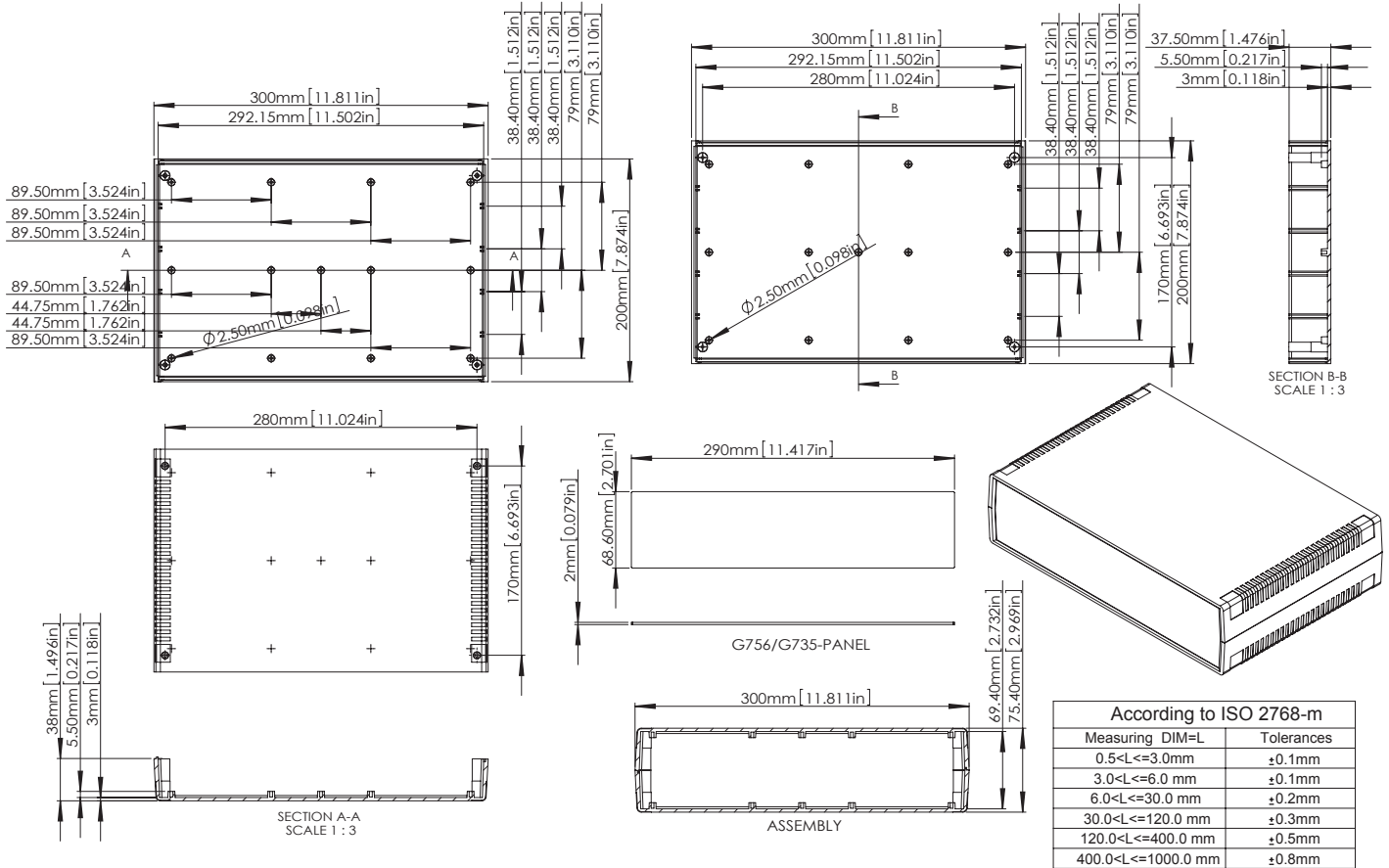


## G754 / G733

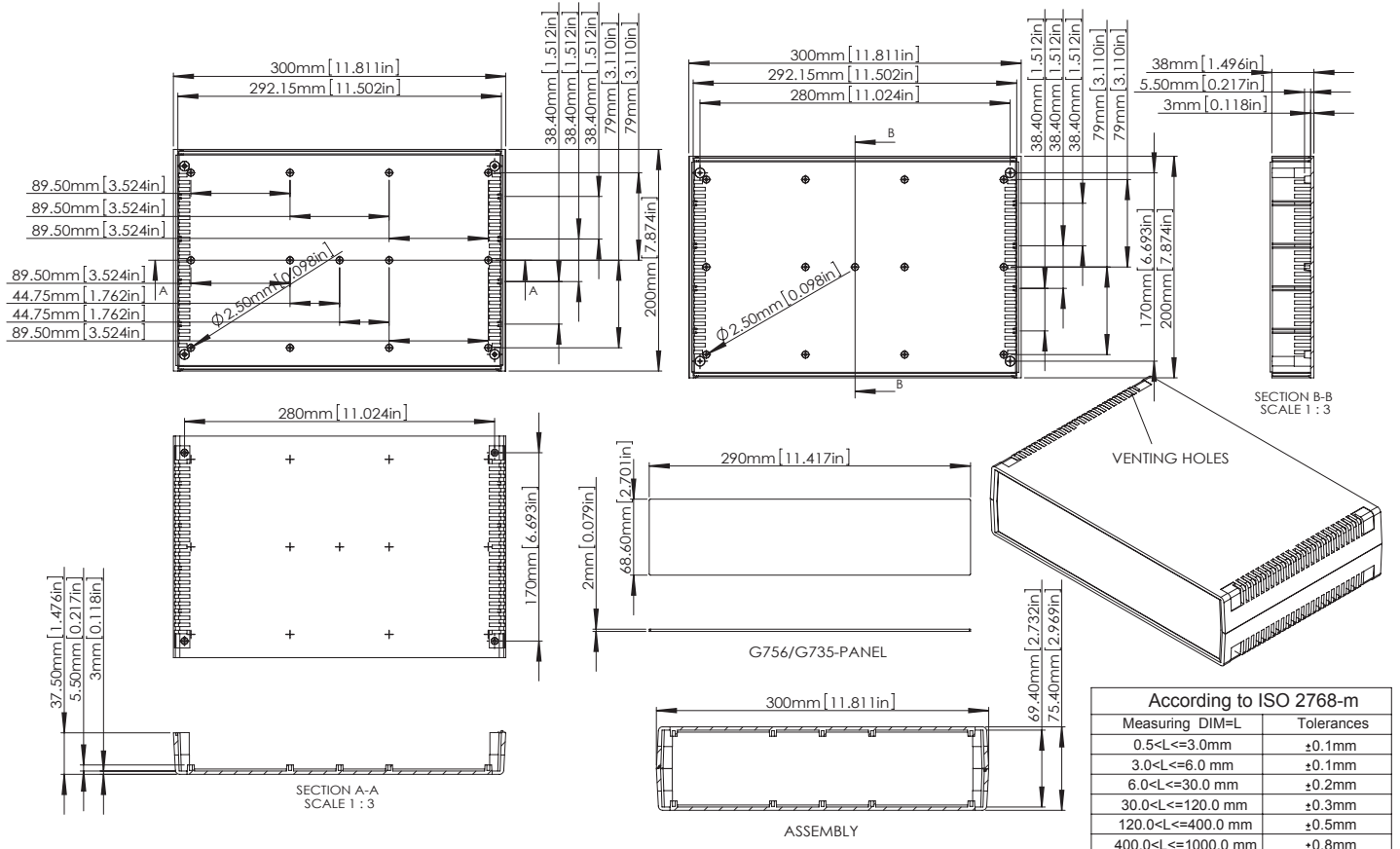




## G756 / G735

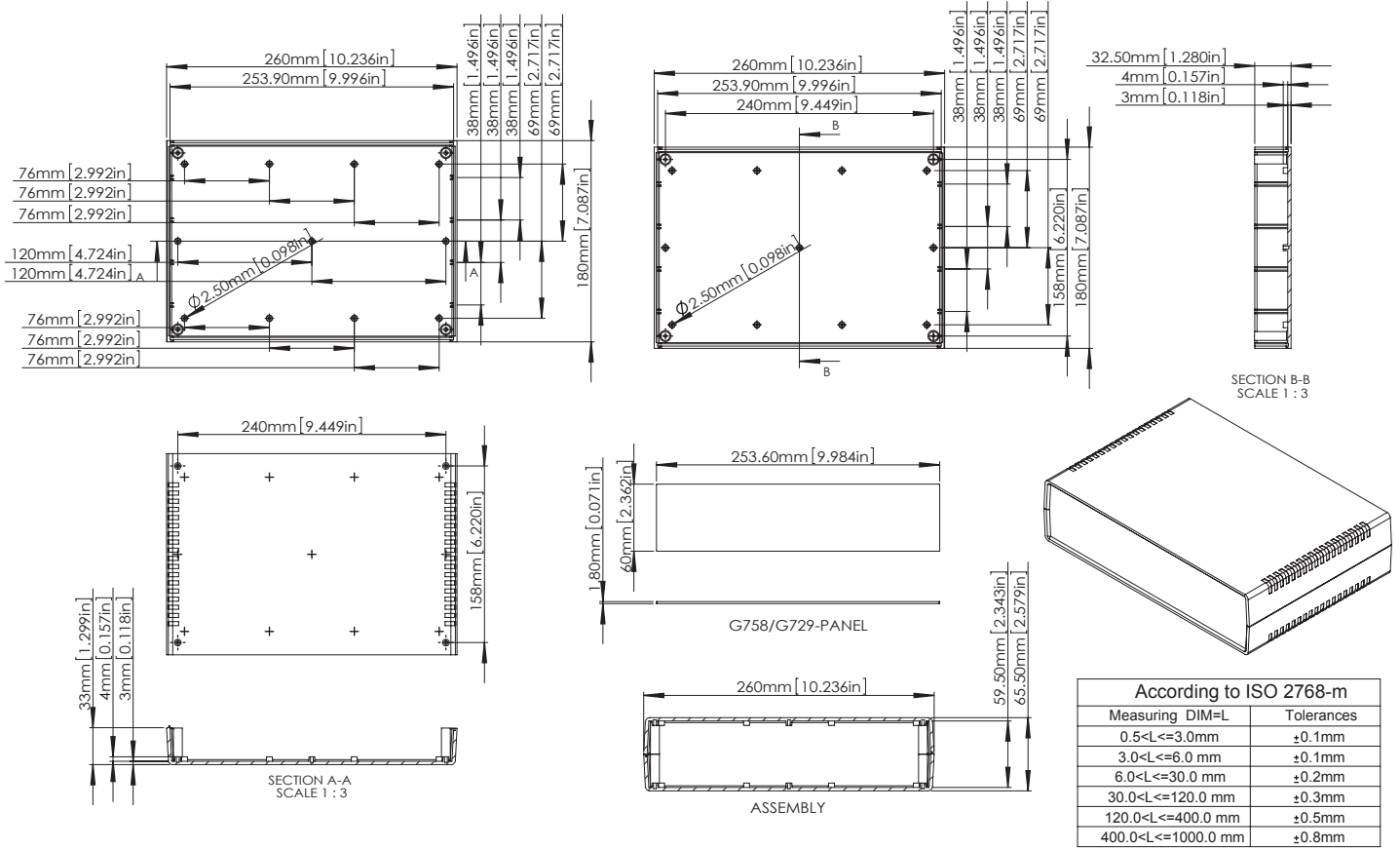


## G756V / G735V

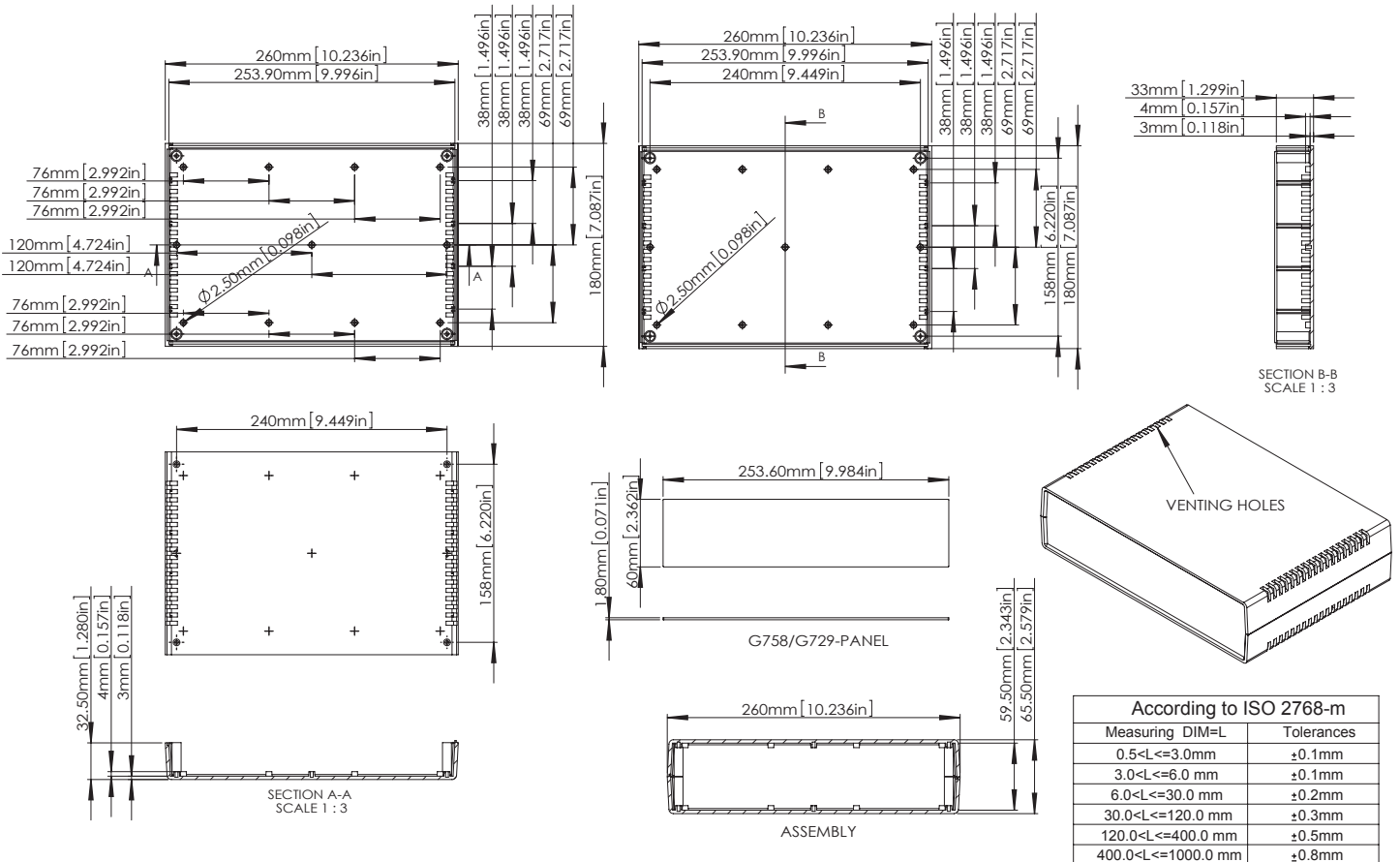




## G758 / G729

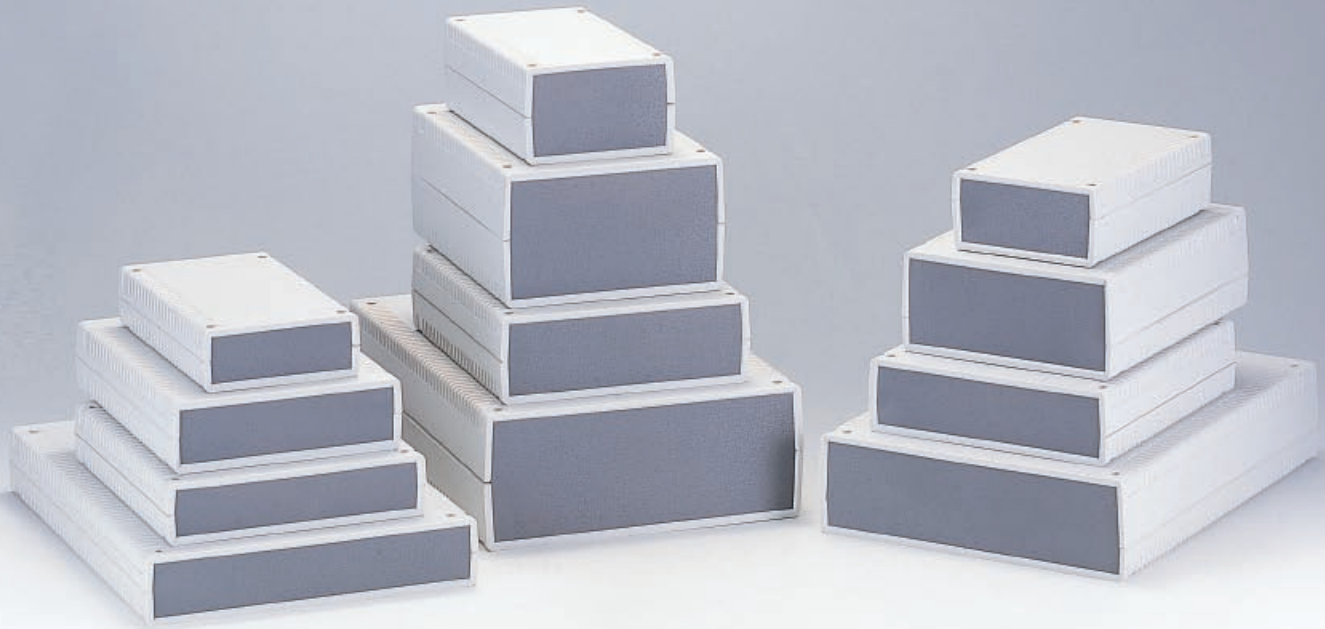


## G758V / G729V



# G7XX, TYPE B SERIES

## NEW PLASTIC INSTRUMENT CASES



### PRODUCT INFORMATION

Example

Content

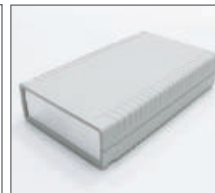
**MATERIAL:** High impact ABS UL94-HB plastic.

**FEATURES:**

- Modern design case in matt finish surface for desktop instruments application.



G762



G760A



#### TYPE A: with PLASTIC PANEL

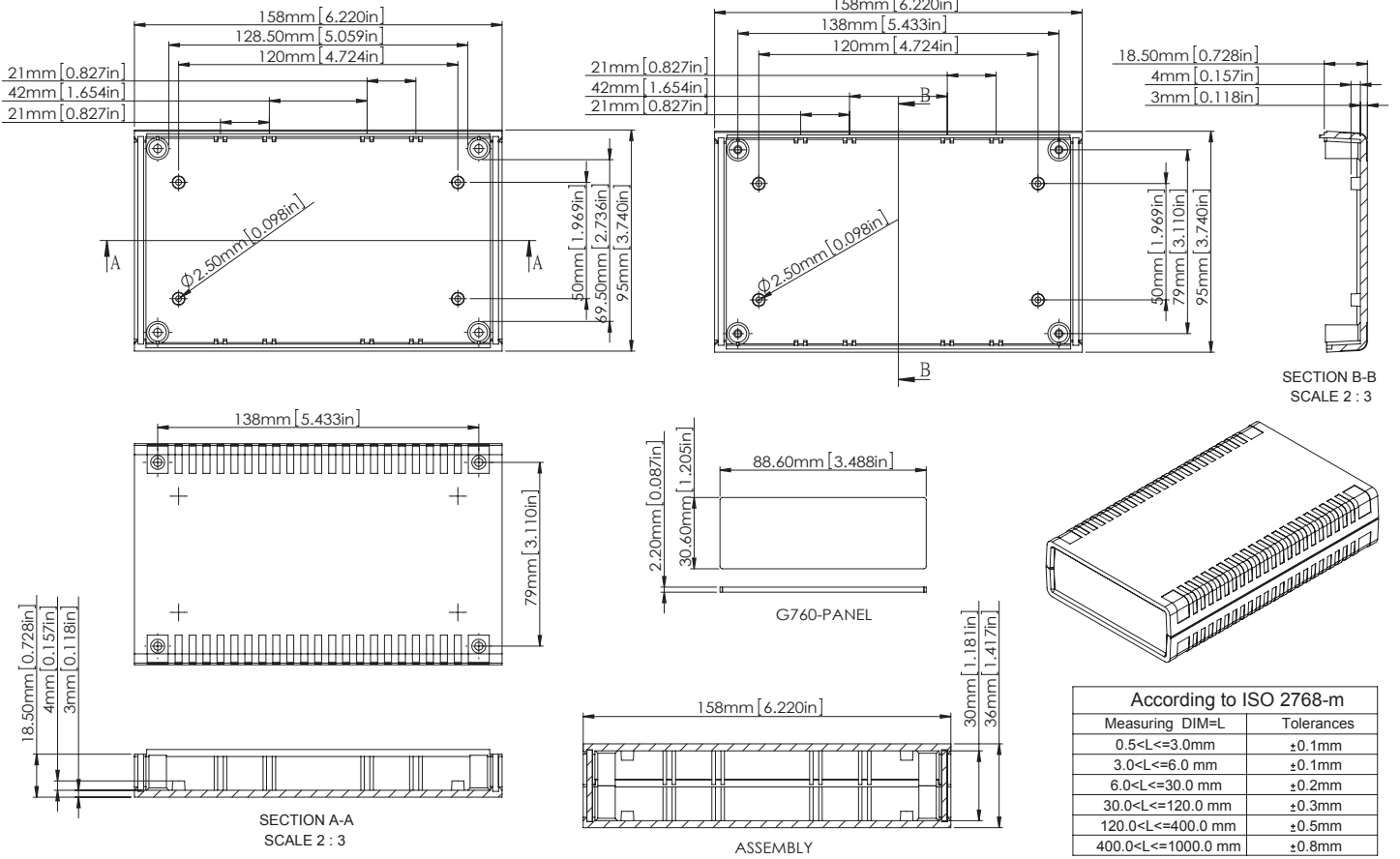
ITEM No.	COLOR		RUBBER FEET
	LID/BASE	PLASTIC PANEL	
G760	Light Grey	Dark Grey	Yes
G761	Light Grey	Dark Grey	Yes
G762	Light Grey	Dark Grey	Yes
G763	Light Grey	Dark Grey	Yes
G764	Light Grey	Dark Grey	Yes
G765	Light Grey	Dark Grey	Yes
G766	Light Grey	Dark Grey	Yes
G767	Light Grey	Dark Grey	Yes
G768	Light Grey	Dark Grey	Yes
G769	Light Grey	Dark Grey	Yes
G770	Light Grey	Dark Grey	Yes
G771	Light Grey	Dark Grey	Yes

#### TYPE B: with ALUMINIUM PANEL

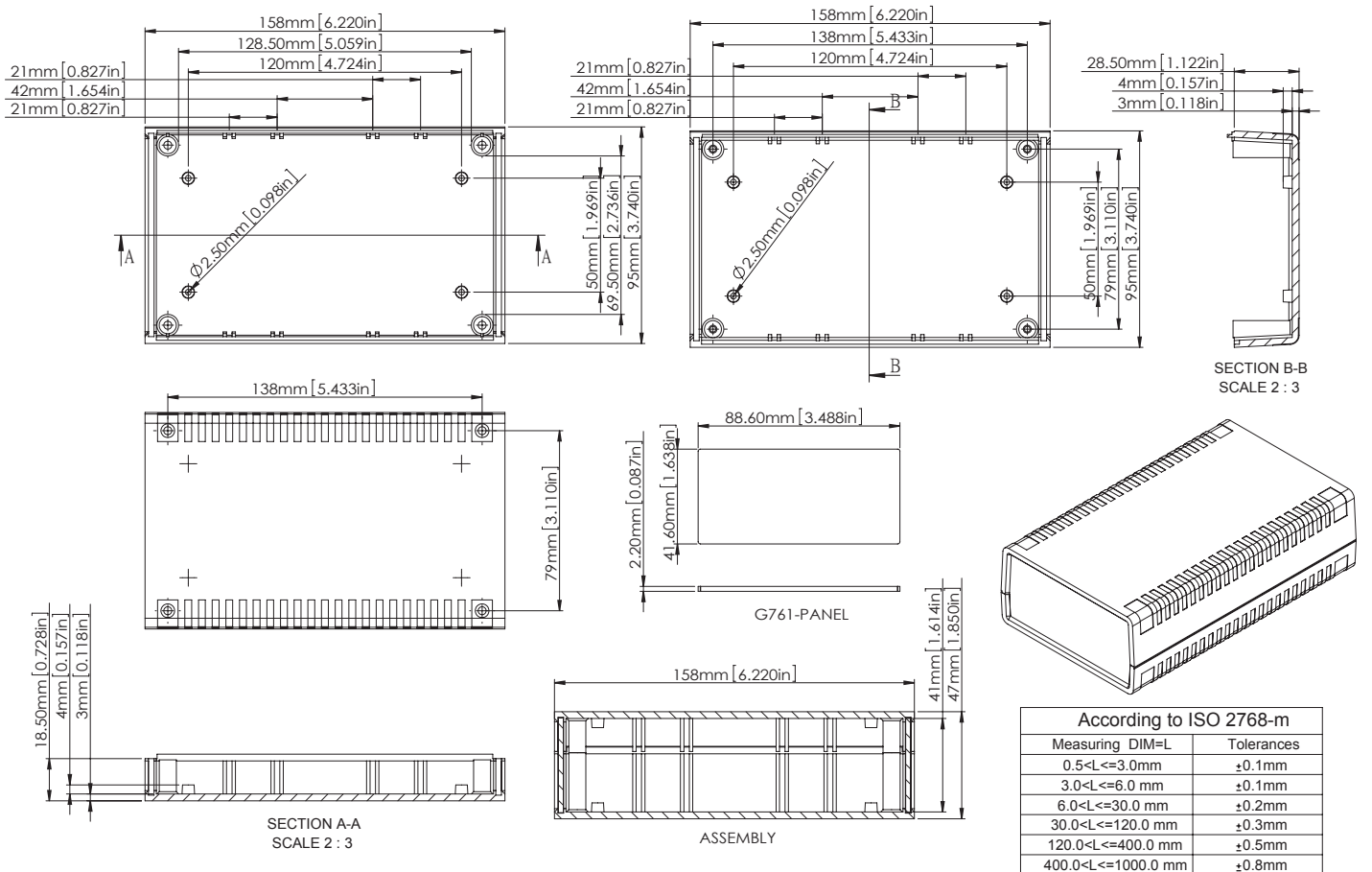
ITEM No.	COLOR		RUBBER FEET
	LID/BASE	ALUMINIUM PANEL	
G760A	Light Grey	Natural	Yes
G761A	Light Grey	Natural	Yes
G762A	Light Grey	Natural	Yes
G763A	Light Grey	Natural	Yes
G764A	Light Grey	Natural	Yes
G765A	Light Grey	Natural	Yes
G766A	Light Grey	Natural	Yes
G767A	Light Grey	Natural	Yes
G768A	Light Grey	Natural	Yes
G769A	Light Grey	Natural	Yes
G770A	Light Grey	Natural	Yes
G771A	Light Grey	Natural	Yes

EXTERNAL DIMENSION(mm)
95 x 158 x 36
95 x 158 x 47
95 x 158 x 58
156 x 180 x 36
156 x 180 x 44
156 x 180 x 52
140 x 190 x 40
140 x 190 x 60
140 x 190 x 90
200 x 280 x 40
200 x 280 x 60
200 x 280 x 80

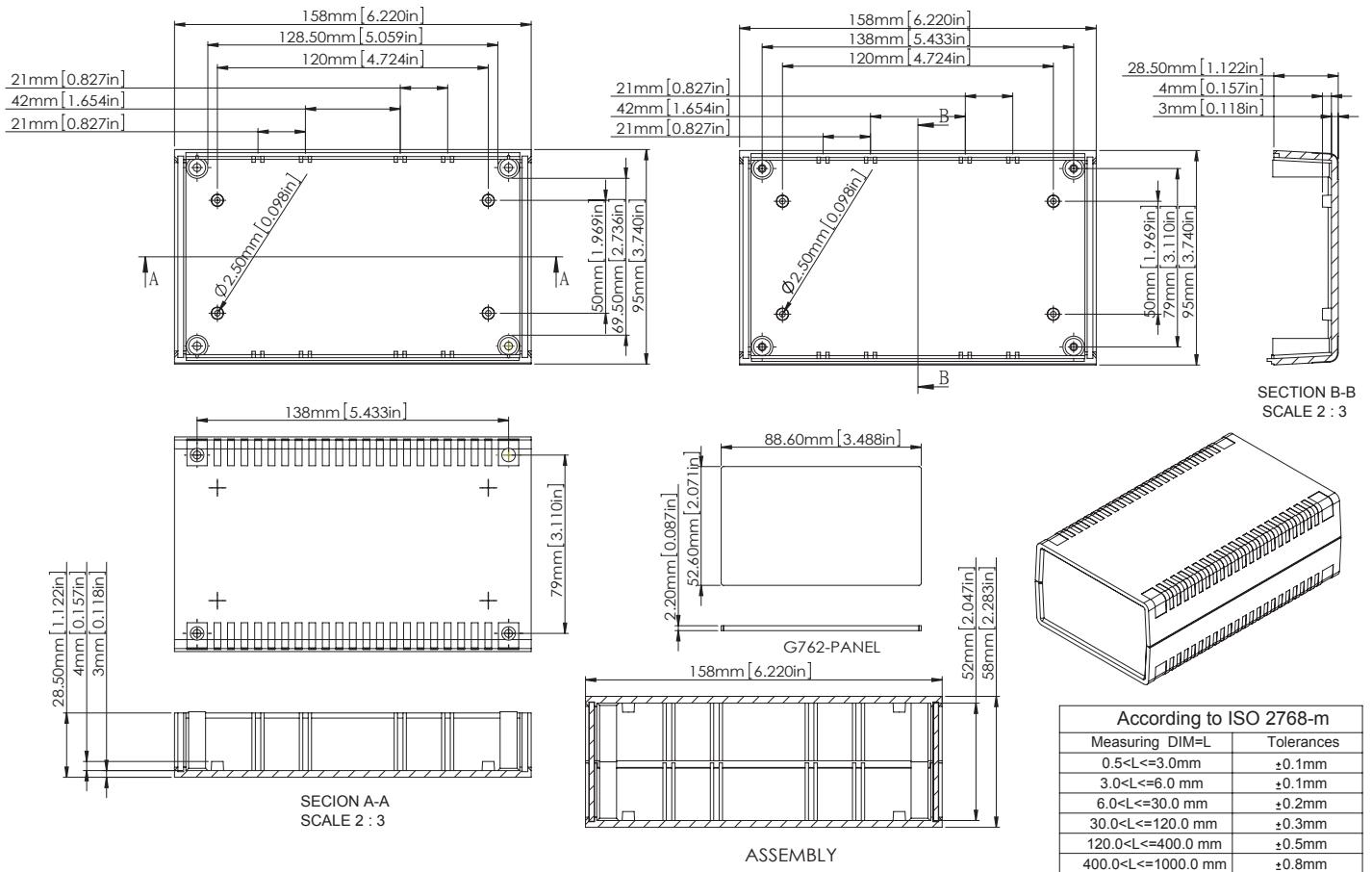
# G760



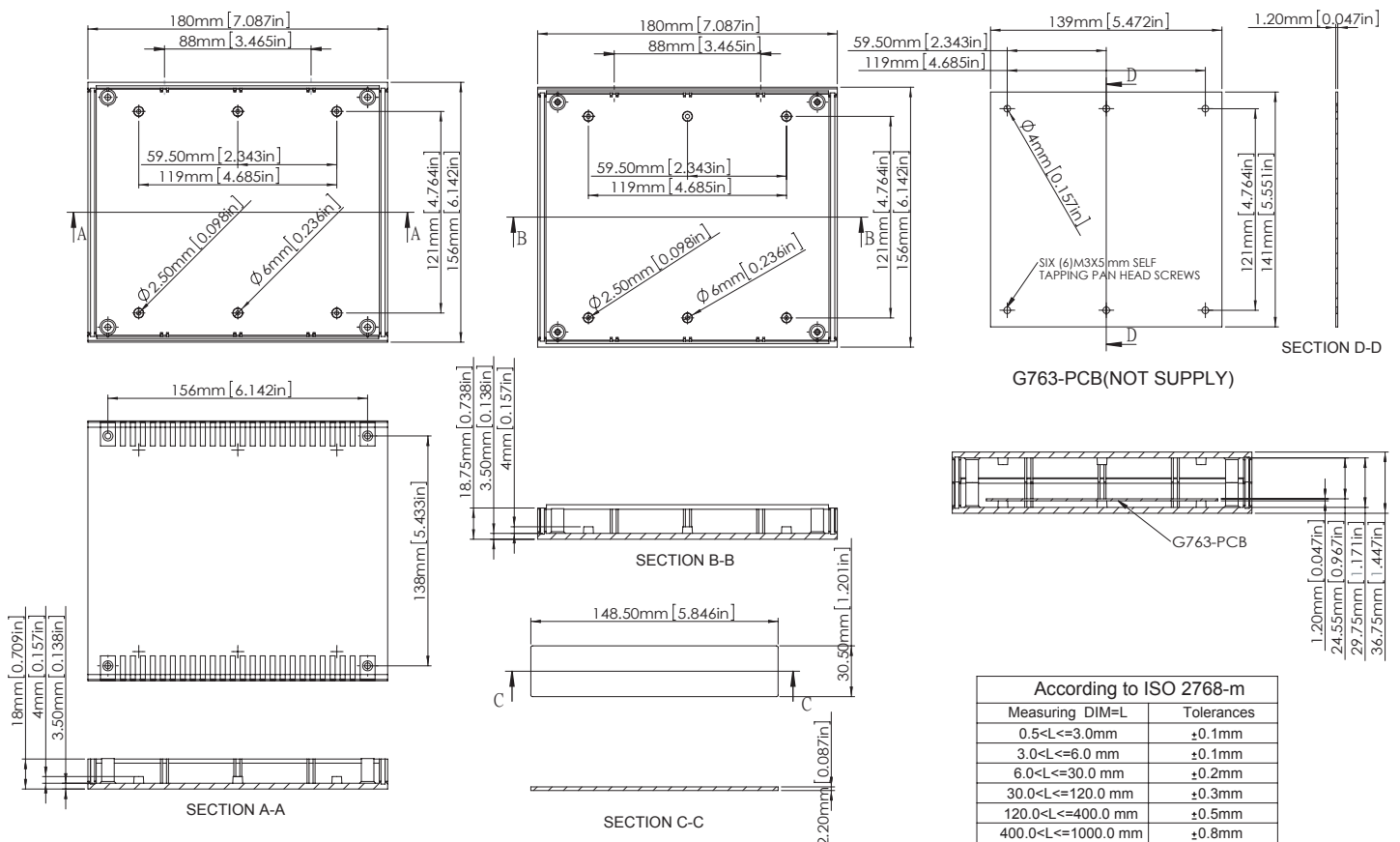
# G761



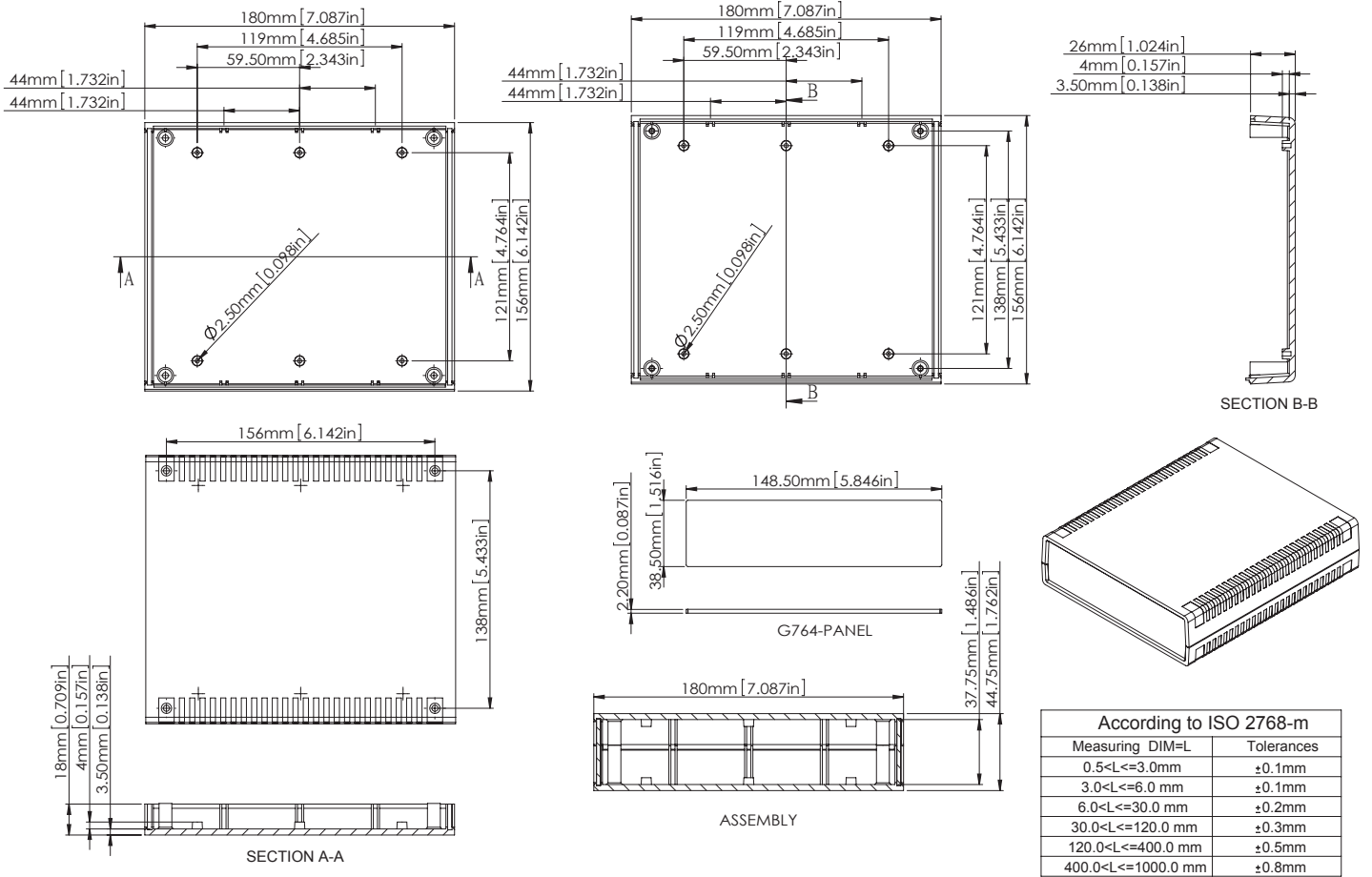
# G762



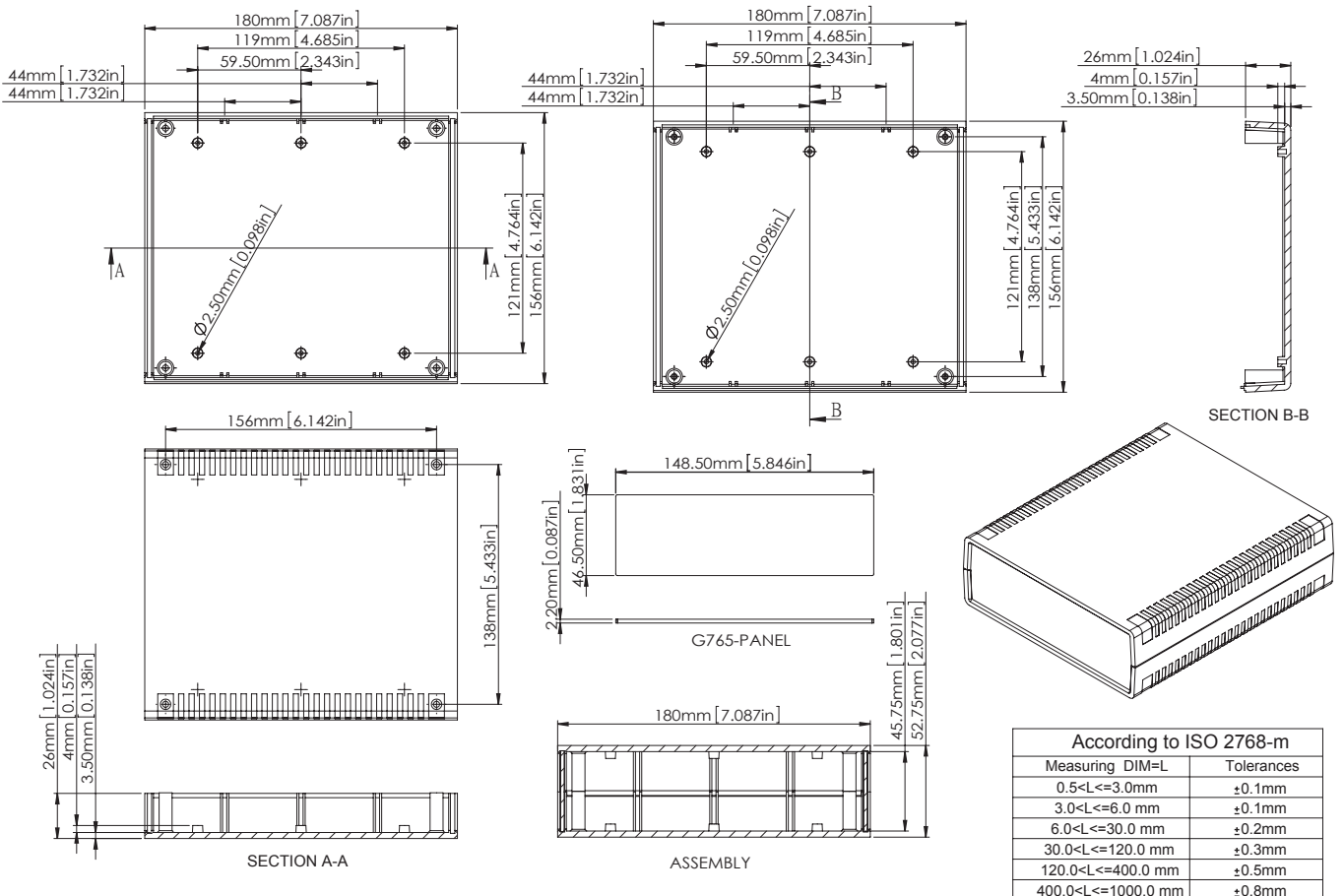
# G763



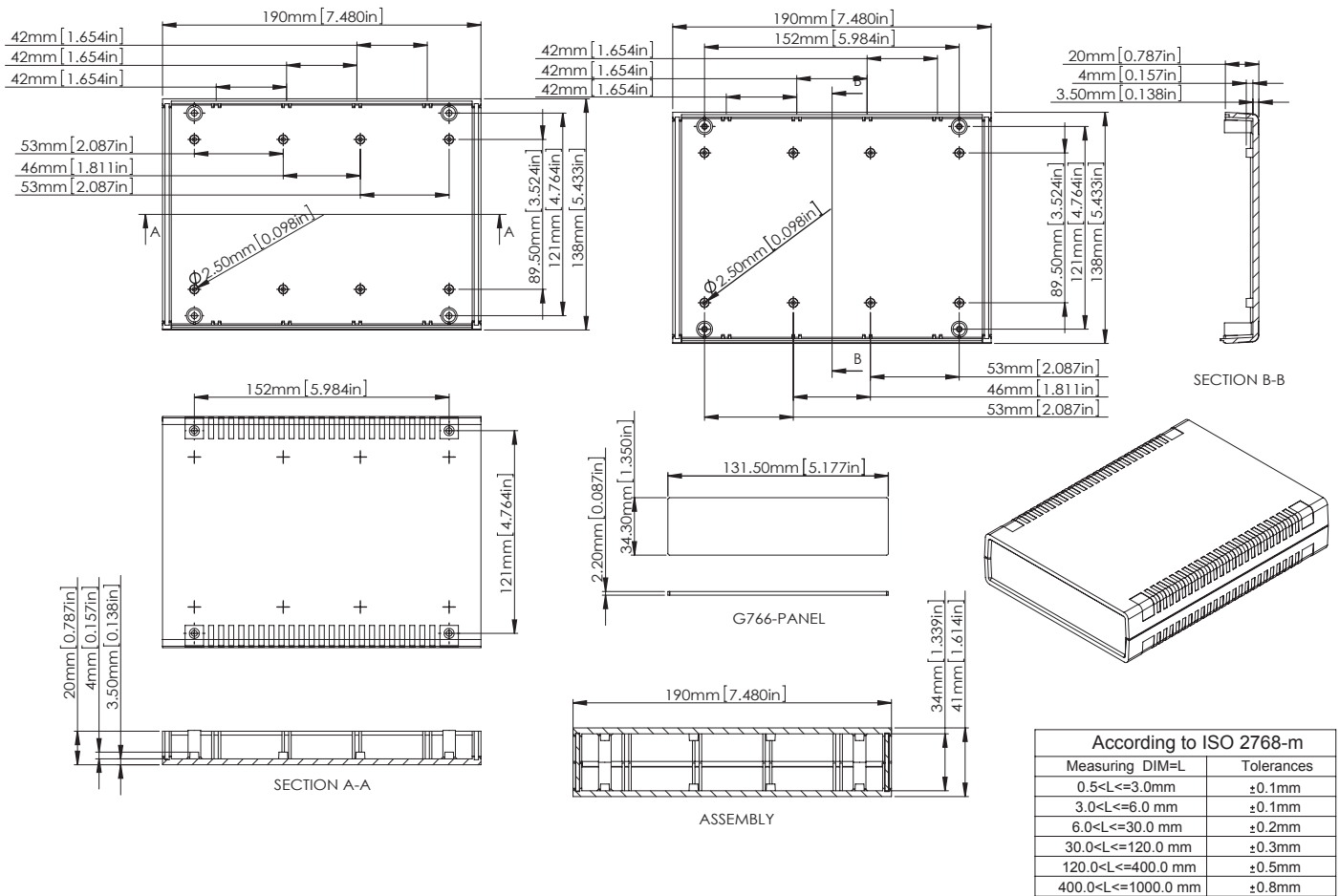
# G764



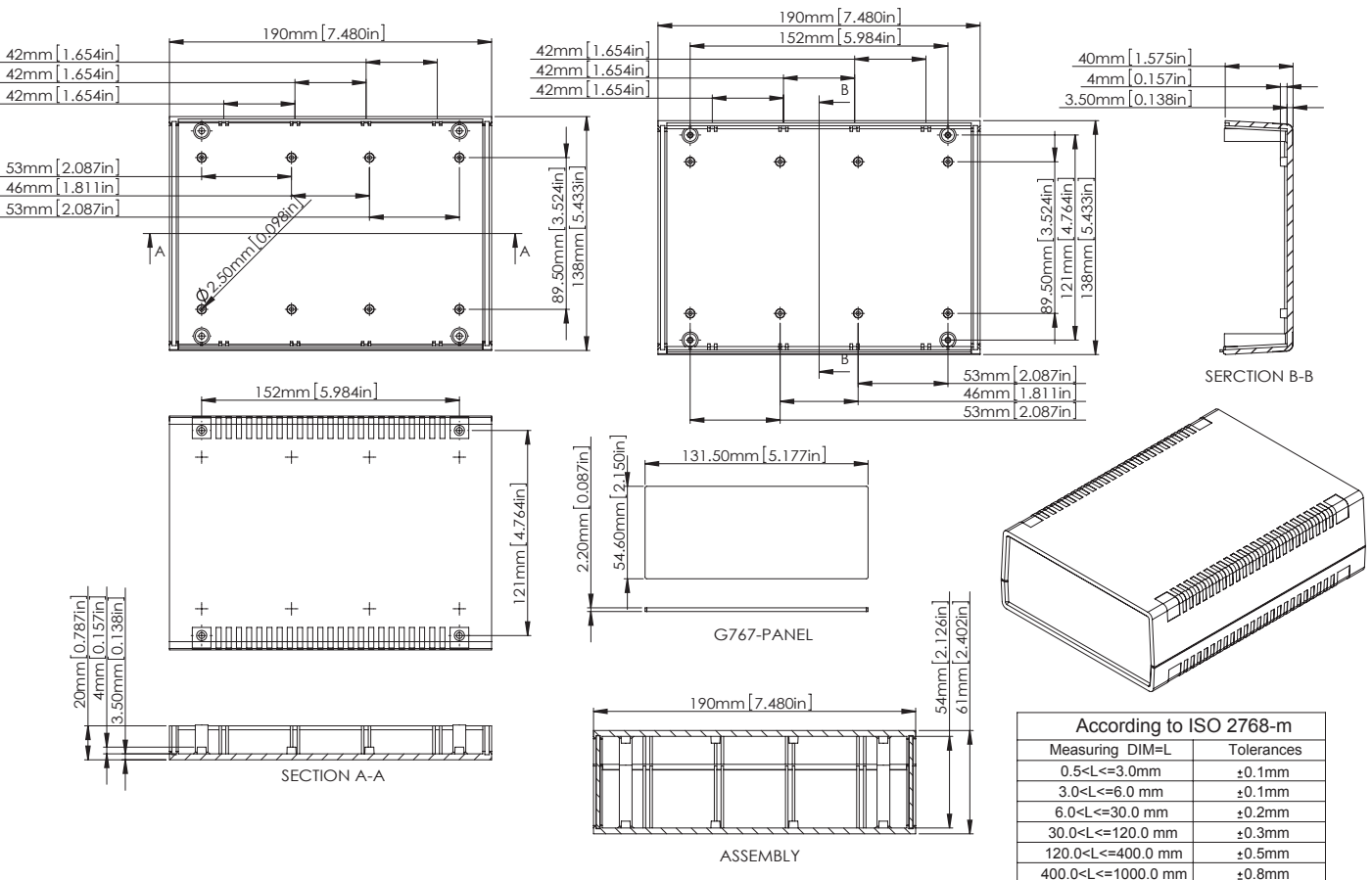
# G765



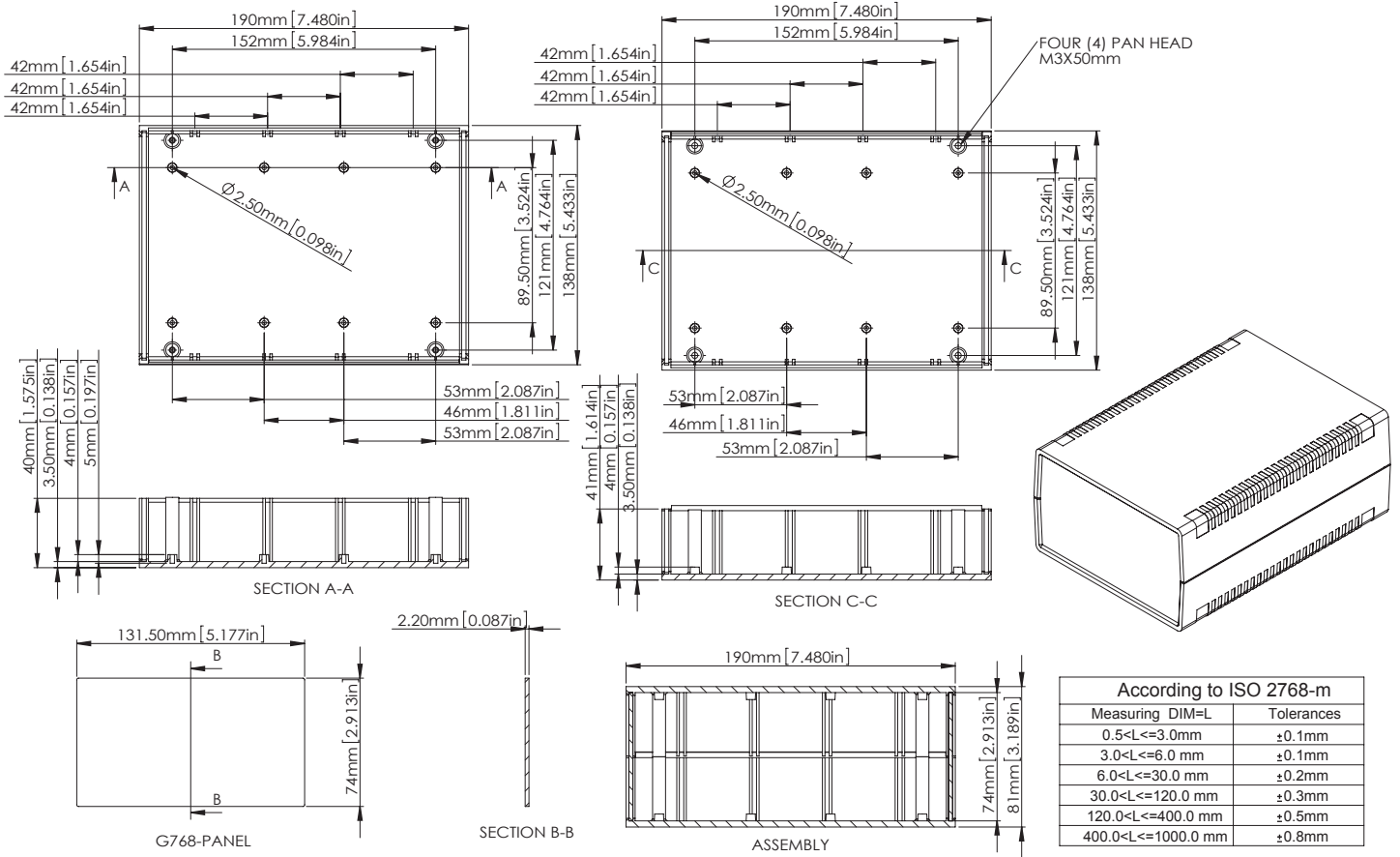
# G766



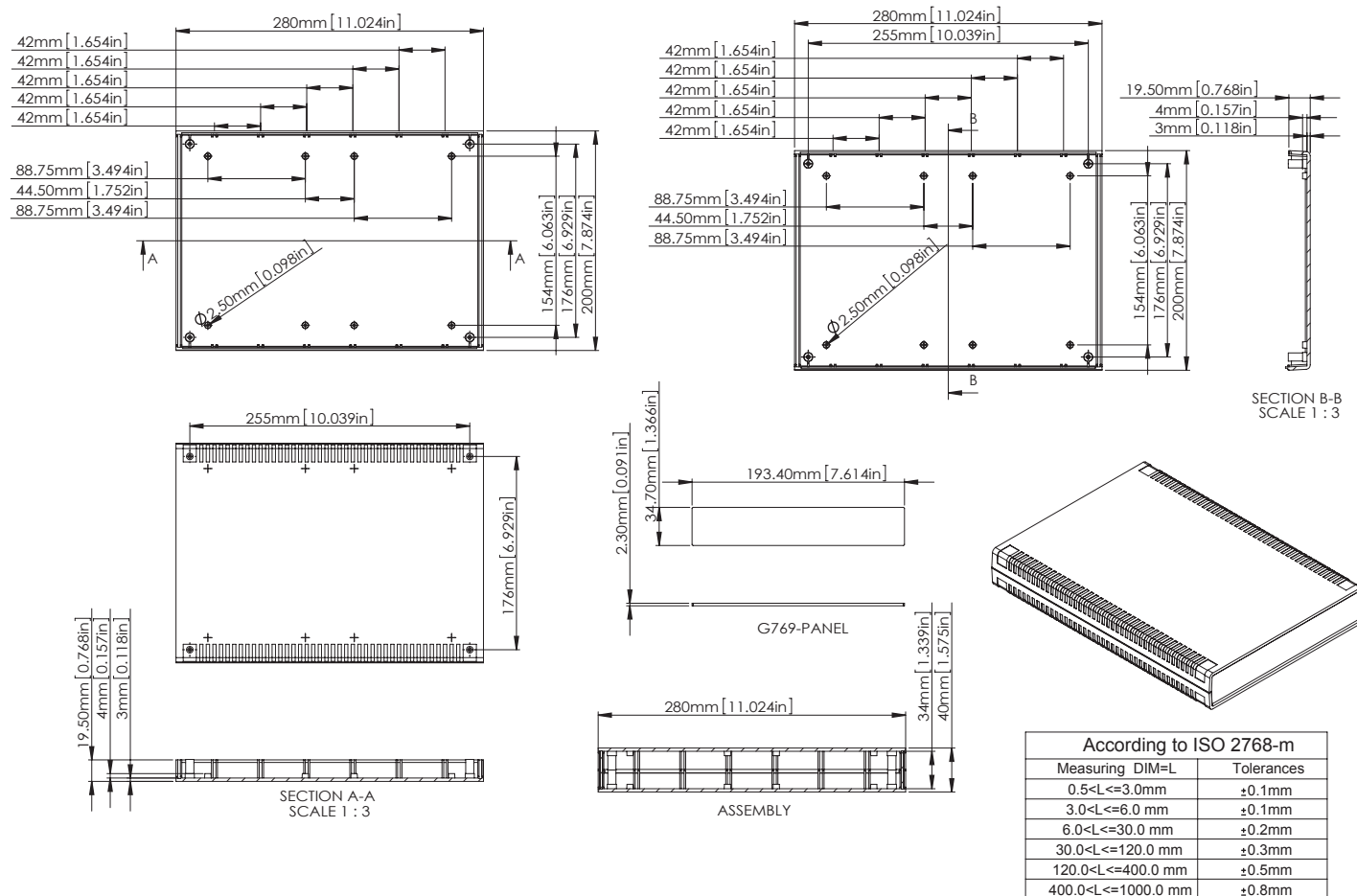
# G767



# G768

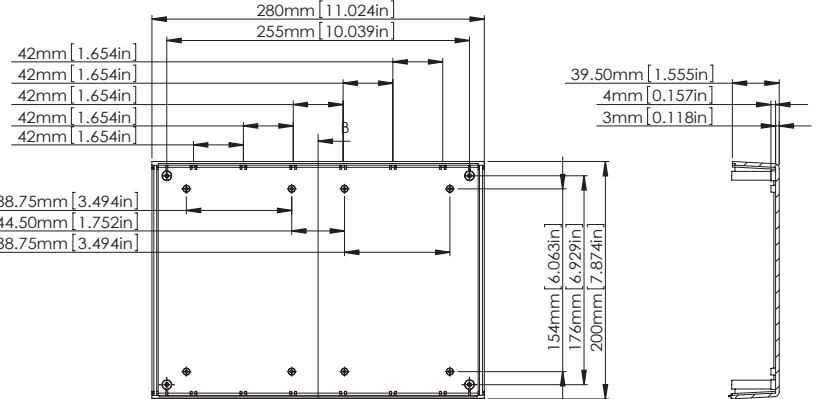
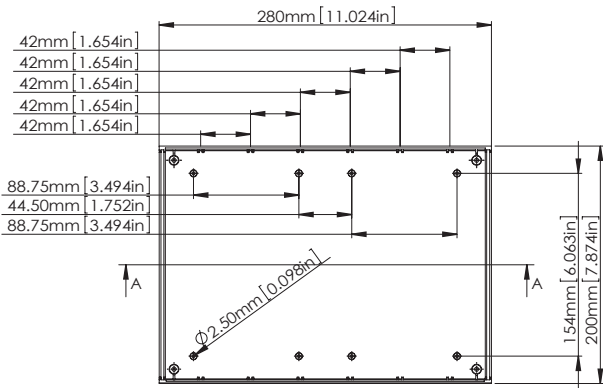


# G769

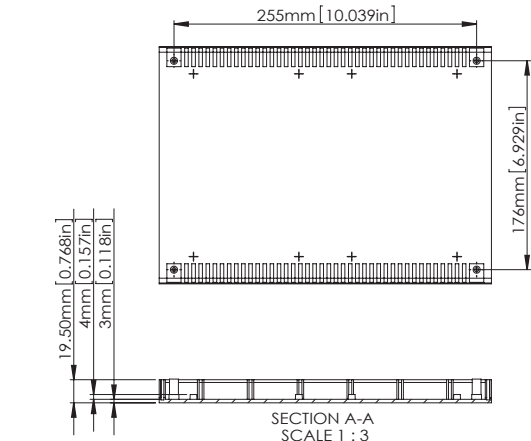




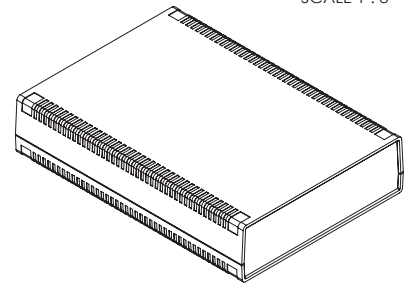
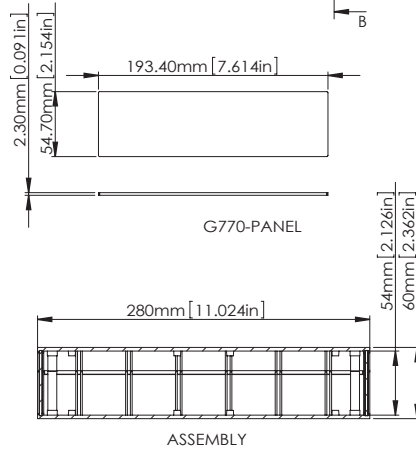
# G770



SECTION B-B  
SCALE 1 : 3

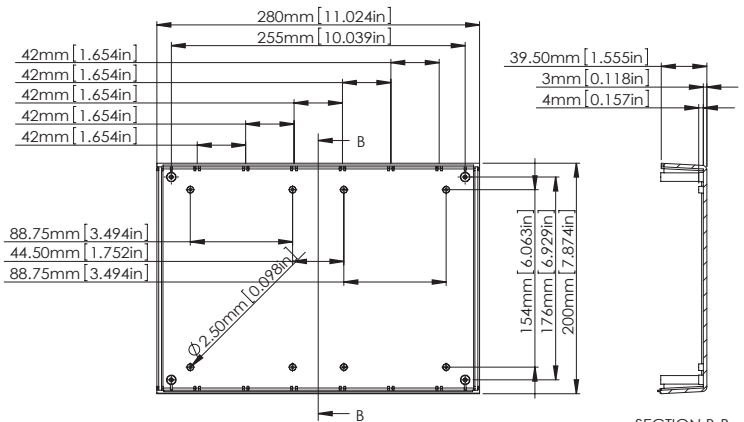
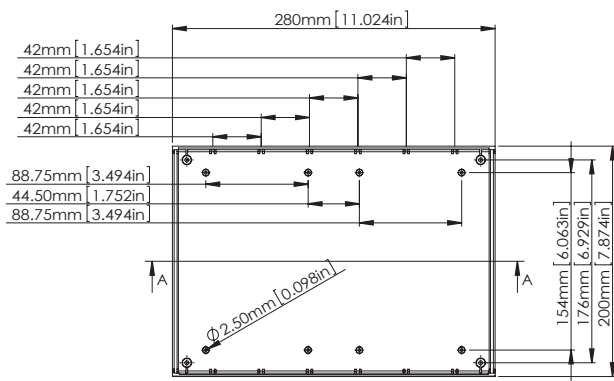


SECTION A-A  
SCALE 1 : 3

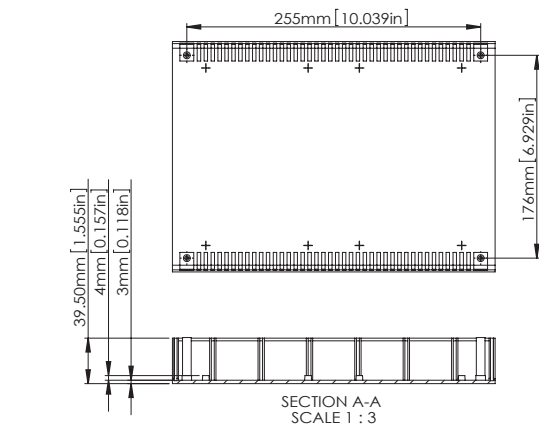


According to ISO 2768-m	
Measuring DIM=L	Tolerances
0.5<L≤3.0mm	±0.1mm
3.0<L≤6.0 mm	±0.1mm
6.0<L≤30.0 mm	±0.2mm
30.0<L≤120.0 mm	±0.3mm
120.0<L≤400.0 mm	±0.5mm
400.0<L≤1000.0 mm	±0.8mm

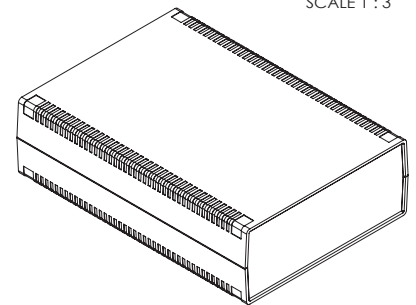
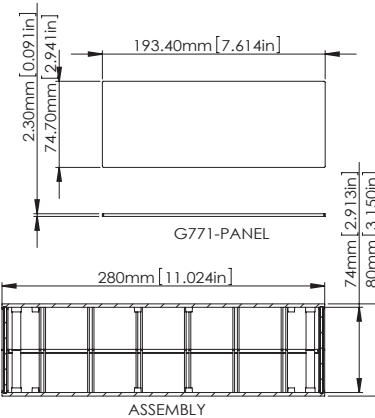
# G771



SECTION B-B  
SCALE 1 : 3



SECTION A-A  
SCALE 1 : 3



According to ISO 2768-m	
Measuring DIM=L	Tolerances
0.5<L≤3.0mm	±0.1mm
3.0<L≤6.0 mm	±0.1mm
6.0<L≤30.0 mm	±0.2mm
30.0<L≤120.0 mm	±0.3mm
120.0<L≤400.0 mm	±0.5mm
400.0<L≤1000.0 mm	±0.8mm

## G7XX, TYPE C SERIES

# NEW ELEGANT AND SNAP-IN PLASTIC INSTRUMENT ENCLOSURE



### PRODUCT INFORMATION

**MATERIAL:** High impact ABS plastic.

**FEATURES:**

- Elegant design to improve the image of your products.
- Snap-in design for easy assembly which is securely tightened.
- Rubber feet and hardware are included.

ITEM No.	EXTERNAL DIMENSION (MM)
G777	197 x 167 x 50

