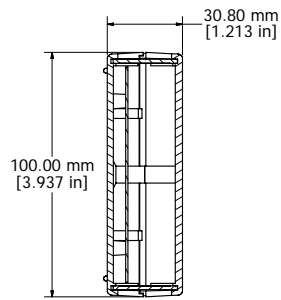
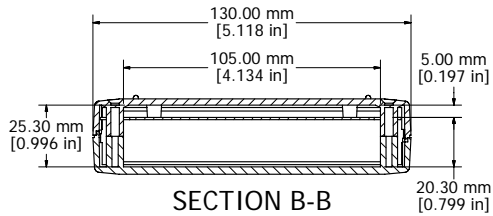
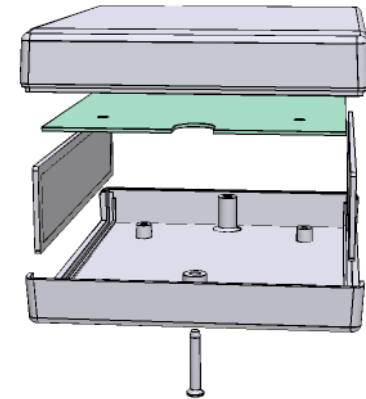


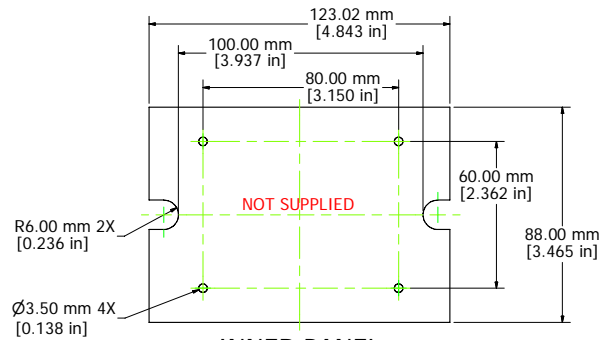
ASSEMBLY - BOTTOM



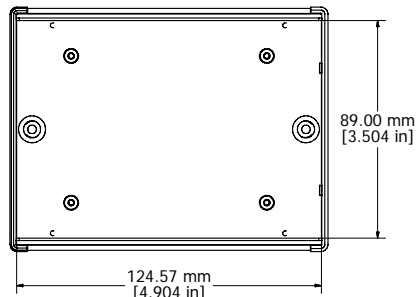
SECTION A-A



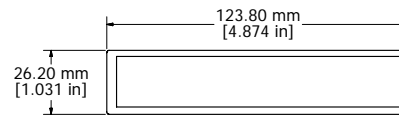
SECTION B-B



INNER PANEL



BASE - INSIDE



SIDE PANEL

CP-RM2055M
Material: ABS (UL94-HB), Light Gray color
Lid Screws: M3 x 20
Circuit Board Screws, 4 Supplied (M3 self tap)
Suggested Lid Screw Torque: 30 ozf-in (21 cN-m)

combiplast