

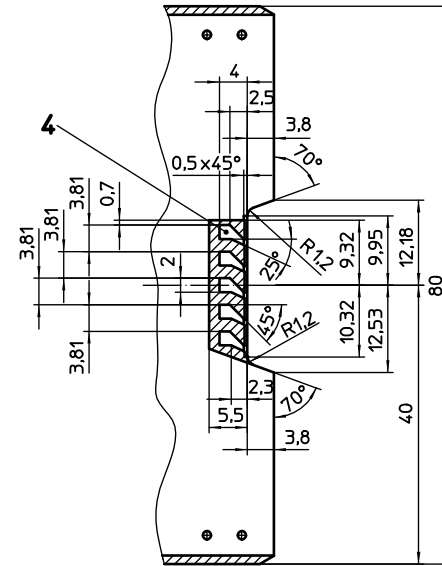
General information:

- Simplified representation
- Restricted area
- Document excluded from change process
- Linear dimensions [mm]
- CAD data see Download-Center on www.phoenixcontact.com
- Tolerances apply in a normale climate according to DIN 50014-23/50-2, with about 2% (% by weight) moisture content.

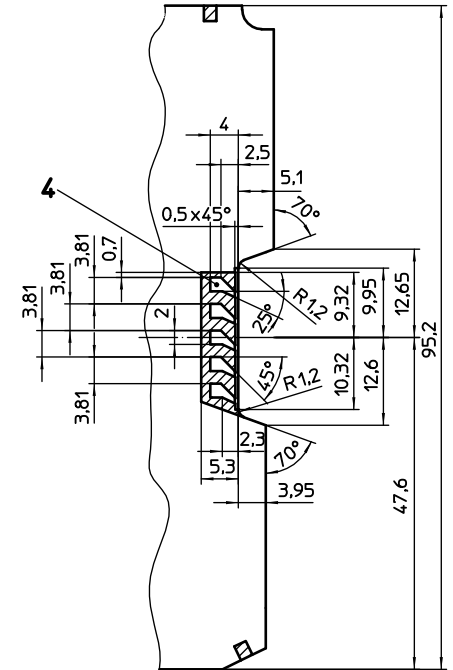
- 1) Mounting rail like EN 6075: TH 35-7,5 or mounting rail TH 35-45x1,5 similar to EN 60715
- 2) Dissassembly notch to separate BUS modules with screwdriver
- 3) PCB fragment ME / ME MAX t=1,4-1,8
- 4) Pad surface: Au

recommended PCB
view: component side

outline ME

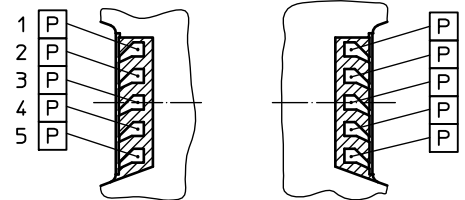


outline ME MAX



pad numbering

view: bottom side component side



General tolerances:
dimensions ≤ 30: ±0,1/R±0,2/±1°
dimensions > 30: ±0,15/R±0,2/±1°
symmetry: 0.2

schematic
symbol



description

parallel

electrical
symbol



DIN A2	document-No. / RI 00894392 / 00	date 27.11.2015	scale 2:1
	document-type Customer drawing		
page 1 of 1	description ME 22.5 TBUS 15/ 5-ST-3,81		

Transfer or duplication of this document as well as the utilization or communication of its content are not permitted unless expressly agreed in writing with Phoenix Contact AG. All rights reserved. In case of partial, unjustified copying, Phoenix Contact AG is not liable.

Weitergabe sowie Vervielfältigung dieses Dokuments, Verwertung und Mitteilung seines Inhalts sind verboten, soweit nicht ausdrücklich gestattet. Alle Rechte vorbehalten. In der Verantwortung der Phoenix Contact AG. In case of partial, unjustified copying, Phoenix Contact AG is not liable.