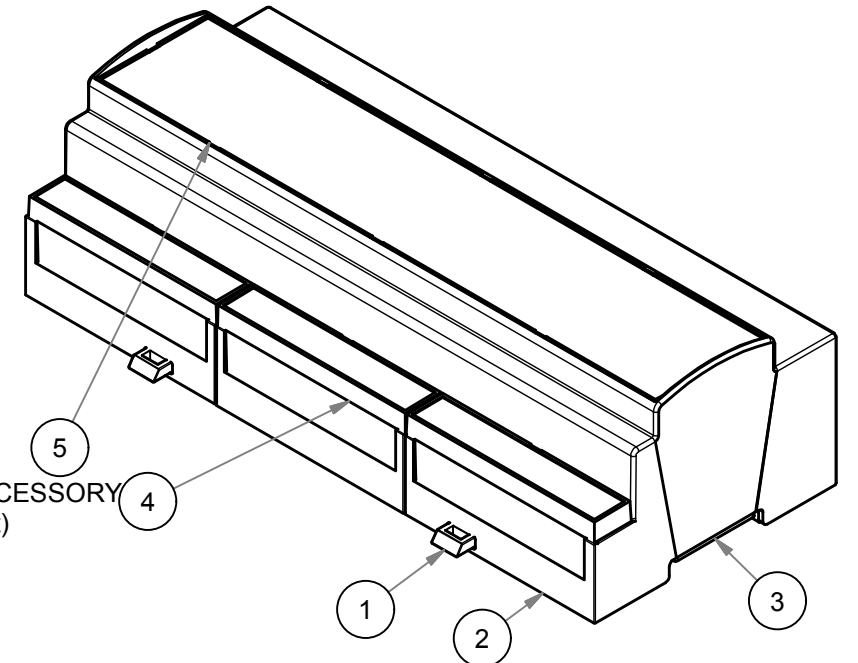
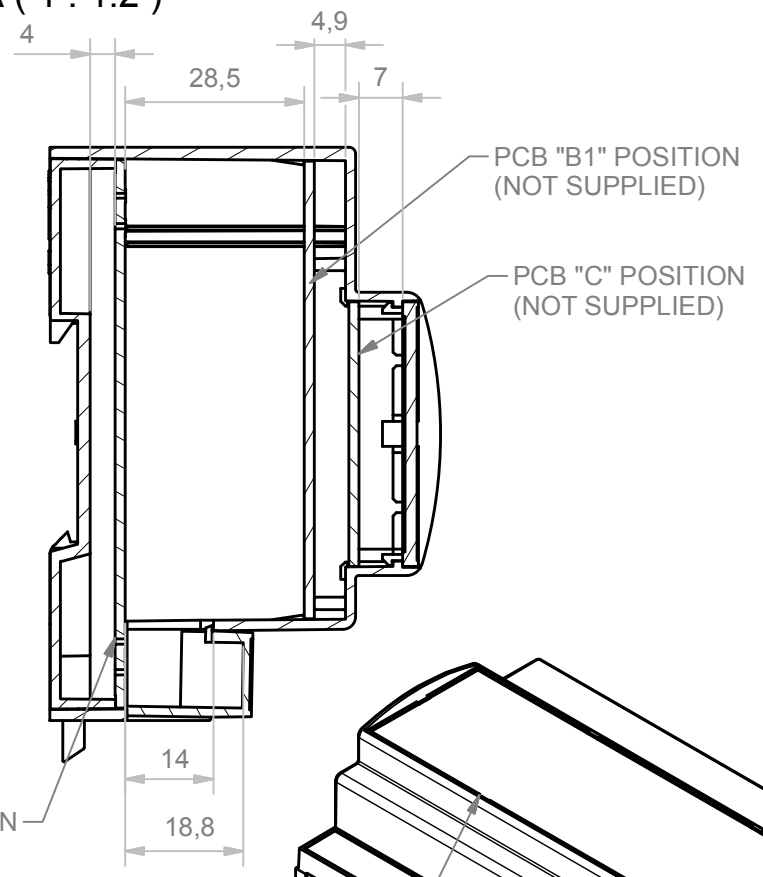
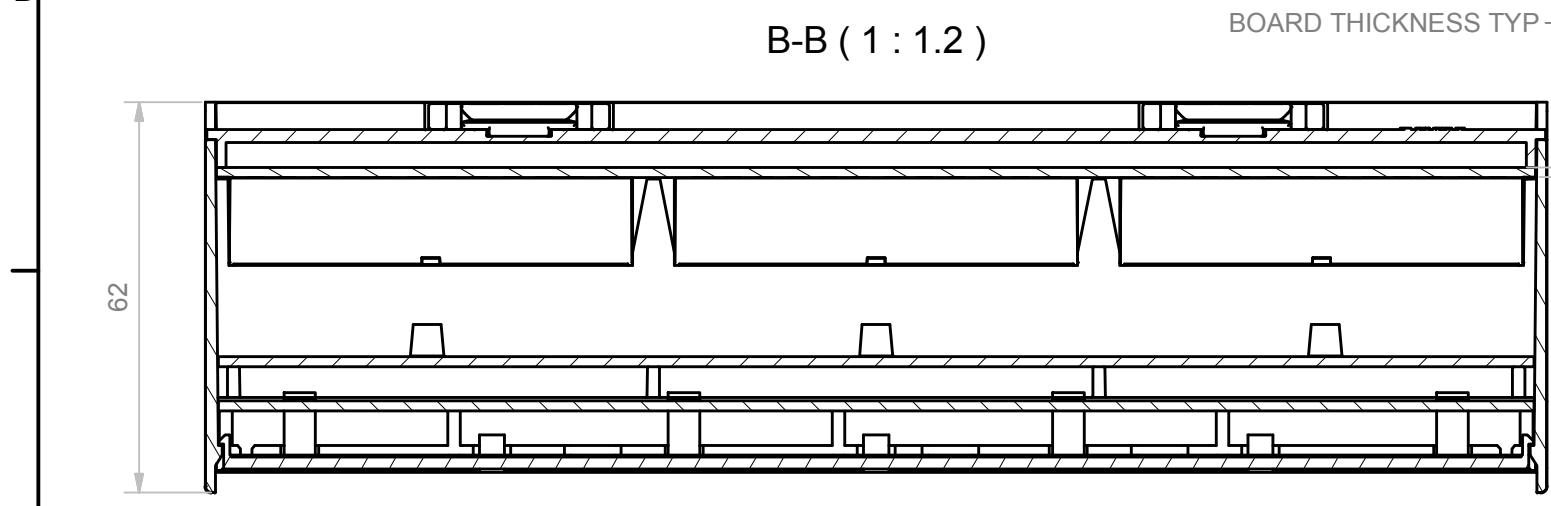


A-A (1 : 1.2)



EXAMPLE OF ACCESSORY (not included in kyt)



B-B (1 : 1.2)

BOARD THICKNESS TYP

| RIF. | Q.TY | DESCRIPTION | CODE |
|------|------|---|------------|
| 1 | 2 | HOOK MODULBOX LONG | M-01900-02 |
| 2 | 1 | CORPO CONTENITORE MODULBOX XTS 12MH53-B | M-02626-00 |
| 3 | 1 | BASE MODULBOX XT/XTS 12M | M-01951-04 |
| 4 | 6 | TERMINAL COVER 4MPN | M-00219 |
| 5 | 1 | PANNELLO, CON GANCI 12M CON CORNICE | M-01952-03 |

| | | | | | | | | |
|---|---------------------------------|-------------------------------------|------------------|----------------|----------------------|---|---|---|
| RESERVED PROPERTY: The present drawing cannot be reproduced or communicated to 3d parties, even partially, without the authorization of ITALTRONIC Srl. Italtronic reserves to protect its own rights according to the law. | | | | 5 | 4 | 3 | 2 | 1 |
| GENERAL TOLERANCE | UNI EN 22768/1 Media (m) | DRAWN BY | Dated: | Checked: | Revision description | | | |
| SHEET NR. | Dimension in mm | Manual modification are not allowed | Fanin F. | Dalla Montà D. | Scale: 1 : 1.2 | | | |
| 1 / 1 | | | Date: 09/06/2016 | Replace nr. | Part number: | | | |

UN PARTNER PER IL FUTURO

Denomination:

CONTENITORE COMPLETO MODULBOX XTS 12MH53-B
COMPLETE ENCLOSURE MODULBOX XTS 12MH53-B

Drawing nr.

M-04142-01

VIA AUSTRIA 25/D 35127
 PADOVA - ITALY
www.italtronic.com