

6 | 5 | 4 | 3 | 2 | 1

D

C

B

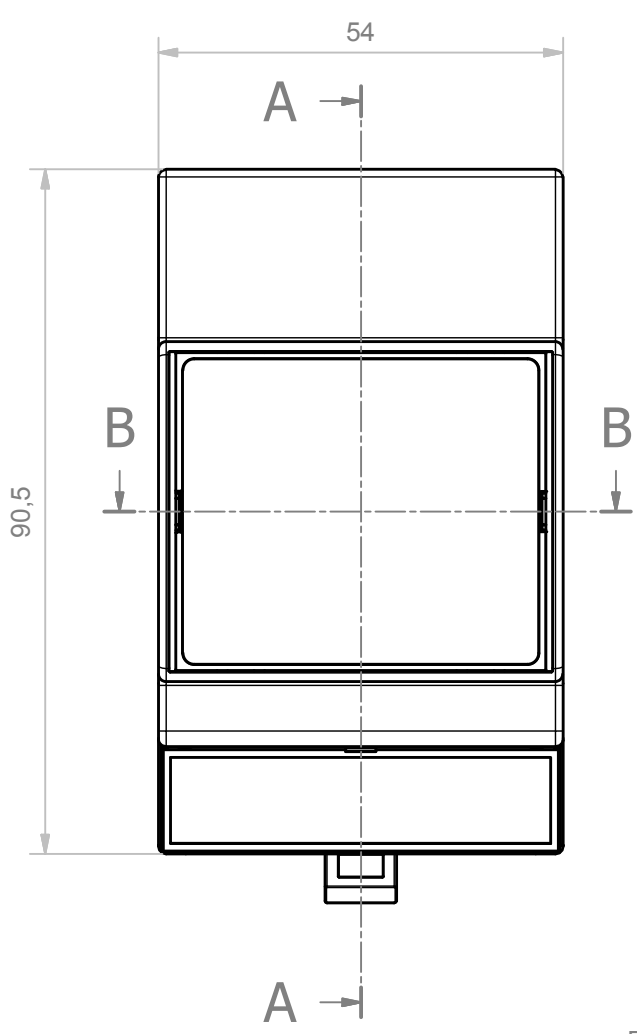
A

D

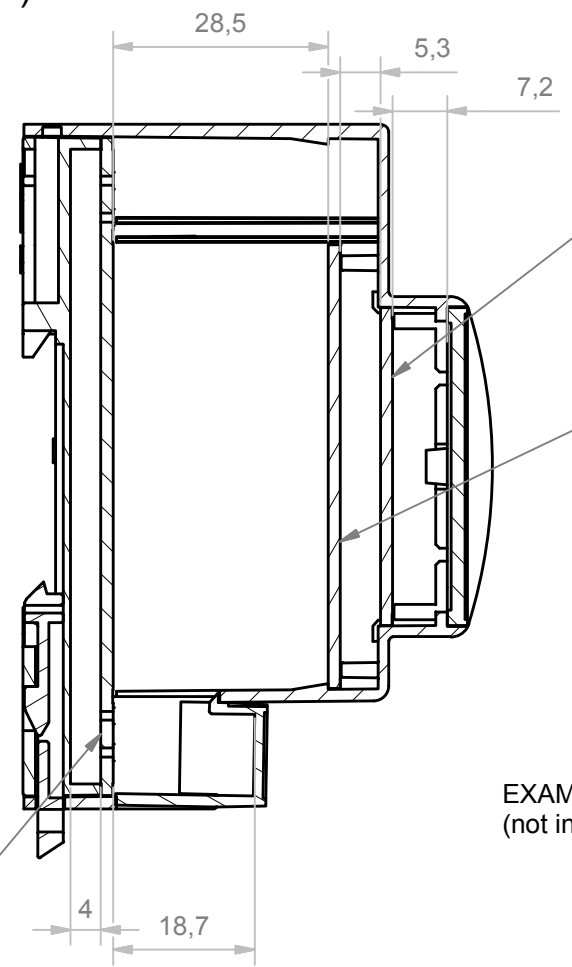
C

B

A



A-A (1:1)



PCB "C" POSITION
(NOT SUPPLIED)

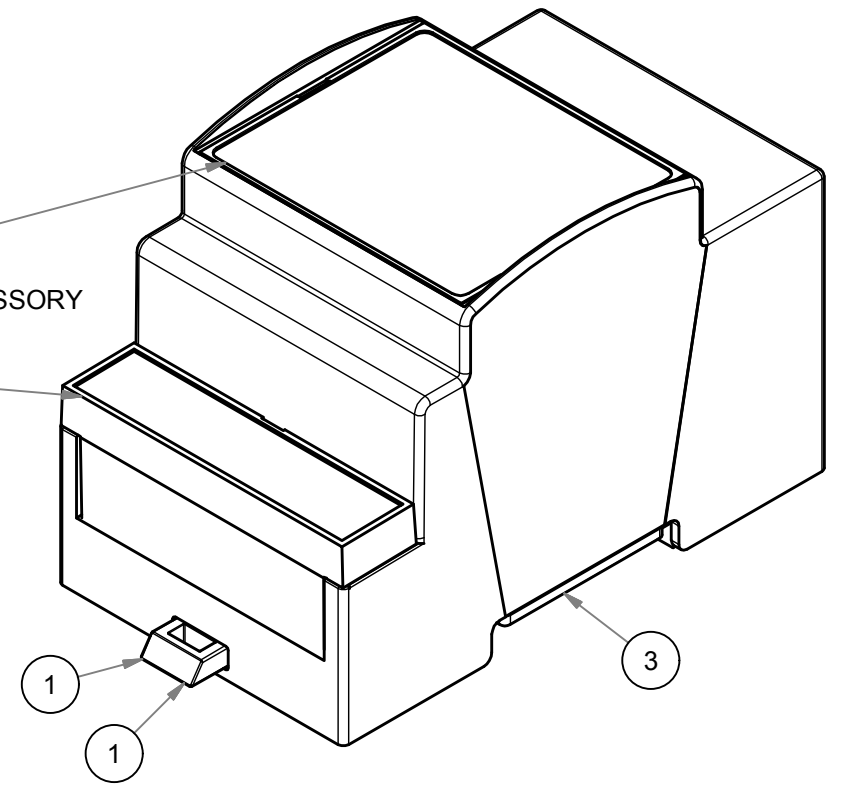
PCB "B" POSITION
(NOT SUPPLIED)

PCB "A" POSITION
(NOT SUPPLIED)

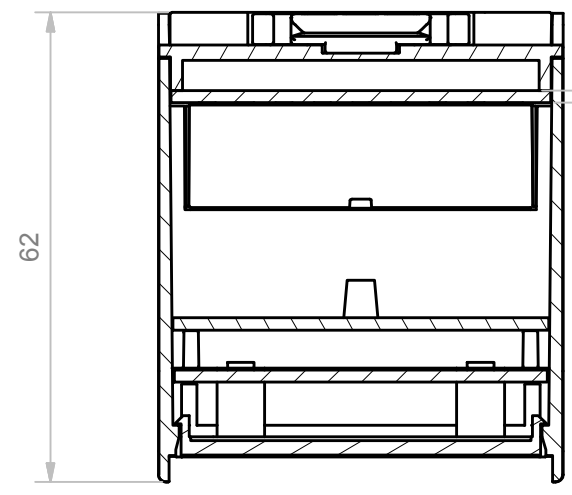
EXAMPLE OF ACCESSORY
(not included in kyt)

5

4



B-B (1:1)



BOARD THICKNESS TYP

1,6

62

RIF.	Q.TY	DESCRIPTION	CODE
1	1	HOOK MODULBOX LONG	M-01900-02
2	1	CORPO CONTENITORE MODULBOX XTS 3MH53-B	M-02590-00
3	1	BASE MODULBOX XTS 3M	M-01982-02
4	2	COPRIMORSETTO 3MPN - TERMINAL COVER 3MPN	M-00255
5	1	PANNELLO 3M CON CORNICE - PANEL 3M WITH FRAME	M-00350

RESERVED PROPERTY: The present drawing cannot be reproduced or communicated to 3d parties, even partially, without the authorization of ITALTRONIC Srl. Italtronic reserves to protect its own rights according to the law.				5	4	3	2	1
GENERAL TOLERANCE	UNI EN 22768/1 Media (m)	Drawn:	Checked:	Revision description				
SHEET NR.	Dimension in mm	DRAWING BY	Date:	Replace nr.		Part number:		
1 / 1		 Manual modification are not allowed	09/06/2016	Dalla Montà D.		Scale: 1 : 1		
				Fanin F.				

UN PARTNER PER IL FUTURO

Denomination:

CONTENITORE COMPLETO MODULBOX XTS 3MH53-B
COMPLETE ENCLOSURE MODULBOX XTS 3MH53-B

Drawing nr.

M-04070-01

ITALTRONIC S.R.L.
VIA AUSTRIA 25/D 35127
 PADOVA - ITALY
www.italtronic.com

6 | 5 | 4 | 3 | 2 | 1