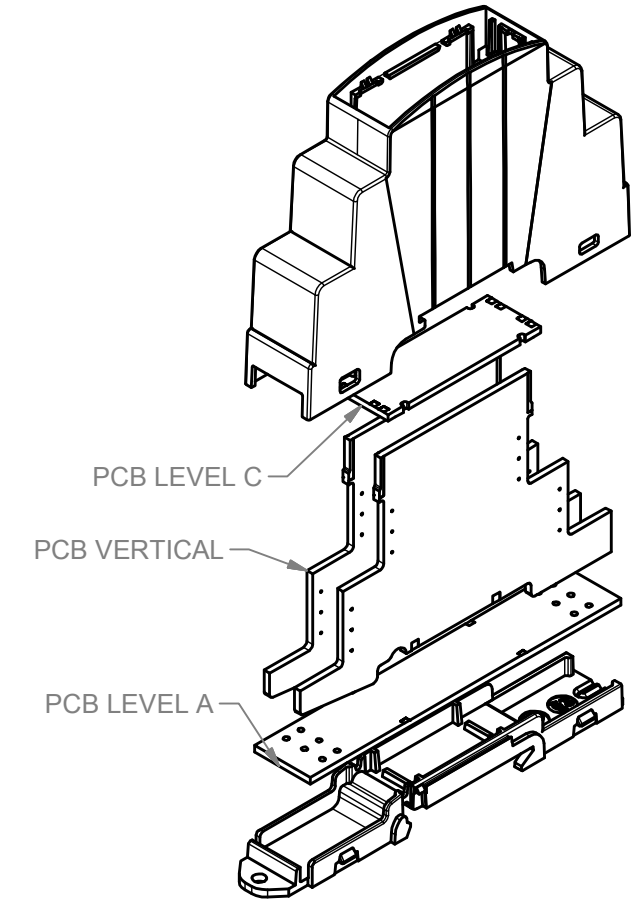


EXAMPLE OF POSITION PCB



SEE LINK FOR TECHNICAL PCB
<http://www.italtronic.info/download/modulboxXTS/PCB/>

Da 0,5 a 3	Oltre 3 fino a 6	Oltre 6 fino a 30	Oltre 30 fino a 120	Oltre 120
± 0,1	± 0,1	± 0,2	± 0,3	± 0,5

RESERVED PROPERTY The present drawing cannot be reproduced or communicated to 3d parties, even partially, without the authorization of ITALTRONIC Srl. Italtronic reserves to protect its own rights according to the law.	Dimension in mm	SHEET NR.	DRAWING BY	GENERAL TOLERANCE UNI EN 22768/1 Media (m)
		1 / 1		
Date: 03/07/2015		Replace nr.		Revision description
Drawed: Rigato N.	Checked: Dalla Montà D.	Scale:		

 UN PARTNER PER IL FUTURO 	Denomination:
	Contenitore completo Modulbox 1M53-A XTS Complete enclosure Modulbox 1M53-A XTS
 eternovica	Drawing nr. M-06125-00

5	4	3	2	1
---	---	---	---	---