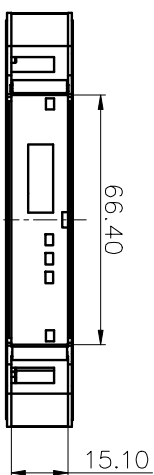
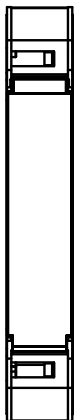
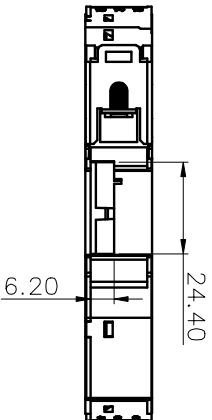
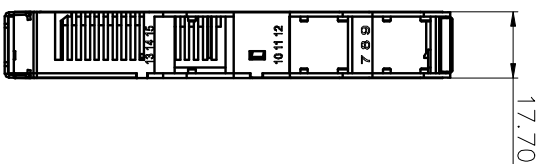
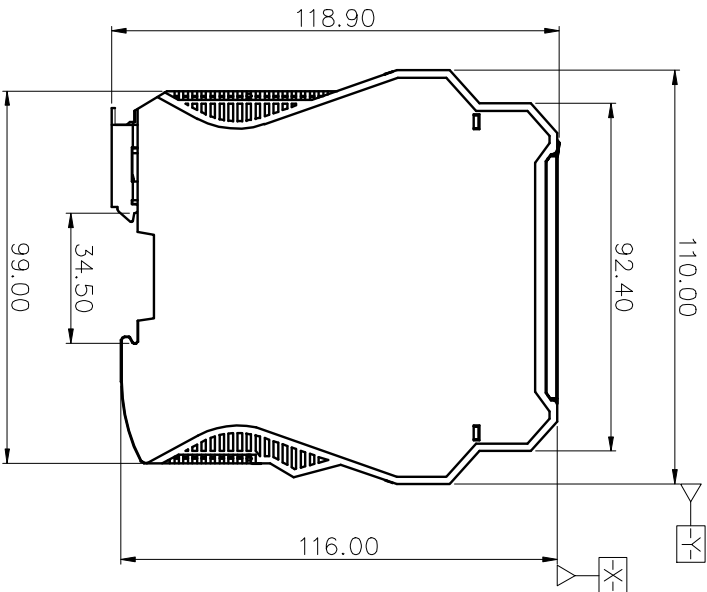


REVISION RECORD			
REV	ECN	DESCRIPTION	DATE



TAKE OFF COVER VIEW



NOTES:

- 1.Dimension shall be interpreted per ASME Y14.5-2009
- 2.Operating temperature: -40°C~+125°C
- 3.Undimensioned tolerances:

Pitch range in mm	Nominal dimension range		Tolerance
	Over	Under	
6 TO 10	Over 100	Over 150	0.1/10
10 TO 24	Over 100	Over 150	∠
24 TO 30	Over 100	Over 150	∠
30 TO 60	Over 100	Over 150	∠
60 TO 100	Over 100	Over 150	∠
100 TO 150	Over 100	Over 150	∠
150 TO 200	Over 100	Over 150	∠

4.RoHS Compliance

FMED - 03P - 1Y - 00A (H)
 (Series No.)(Poles) (Single Pitch) (Color) :1.(Grey)
 00A - (Standard)
 (RoHS)

- 1.(Grey)
- 2.(Blue)
- 3.(Black)
- 4.(Green)
- 5.(Orange)
- 6.(Red)
- 7.(Transparent)
- 8.(Yellow)
- 9.(White)

ITEM NAME OF PART MATERIAL NOTES

DETACHED LISTS	
PART NO.:	/
APPD:	
CHKD:	
DRFT:	
THIRD ANGLE PROJECTION	
NAME:	DESSON 宁波德森电子有限公司 NINGBO DESSON ELECTRICAL CO., LTD
TITLE:	CUSTOMER DRAWING
DRAWING NO.:	FMED-03P-C01
REV	DO
SHEET	1/1
SCALE	1:1

A 8 7 6 5 4 3 2 1