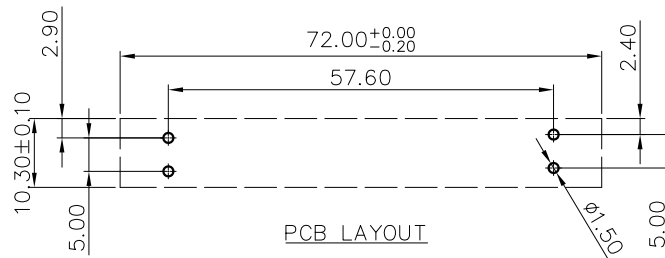
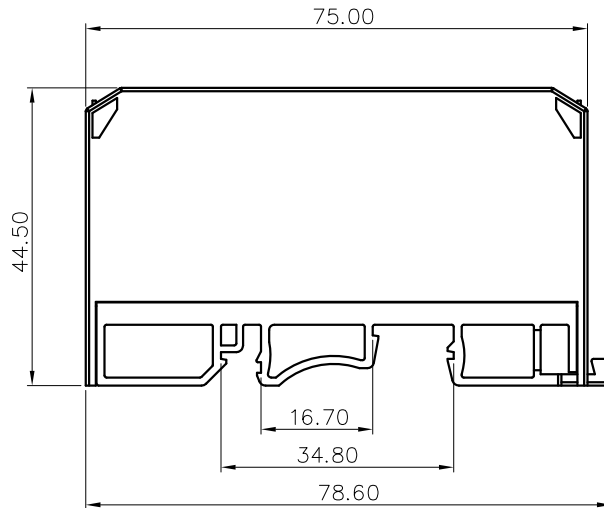
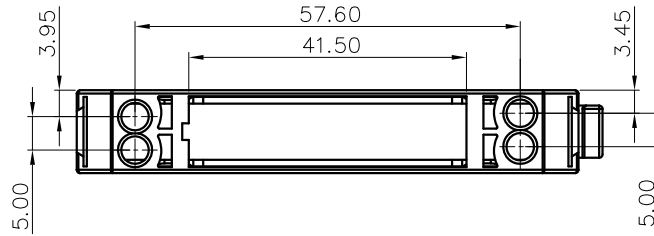


REVISION RECORD				
REV	ECN	DESCRIPTION	DRFT	DATE

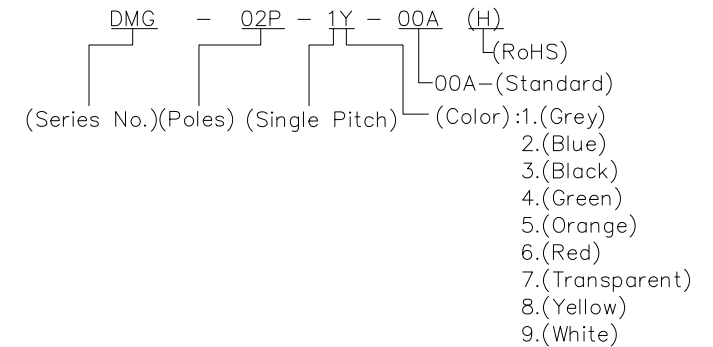


NOTES:

- Dimension shall be interpreted per ASME Y14.5-2009
- PCB: Length:  $72.0^{+0.00}_{-0.20}$ mm;  
Width:  $10.3 \pm 0.1$ mm;  
Thick:  $1.60 \pm 0.05$ mm
- Undimensioned Tolerances:

Pitch range in mm	Nominal dimension range in mm						0.1/10
	Over 6 TO 6	Over 10 TO 10	Over 24 TO 30	Over 30 TO 60	Over 60 TO 100	Over 100 TO 150	
	$\pm 0.15$	$\pm 0.20$	$\pm 0.30$	$\pm 0.30$	$\pm 0.50$	$\pm 0.70$	$\pm 1.00$
							$\pm 1.30$
							$\pm 2^*$

4.RoHS Compliance



DETACHED LISTS	PART NO.:	宁波高松电子有限公司 NINGBO DEGSON ELECTRICAL CO., LTD			
	APPD:	NAME: DMG-02P-1Y-00A(H)			
	CHKD:	TITLE: CUSTOMER DRAWING			
	DRFT:	DRAWING NO.:		REV	DO
	THIRD ANGLE PROJECTION		MM (INCH)	DO NOT SCALE DRAWING	SCALE 1:1