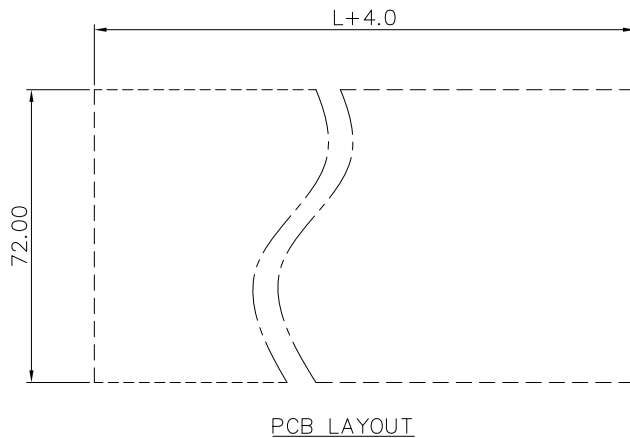
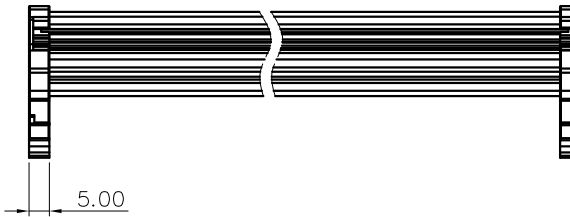
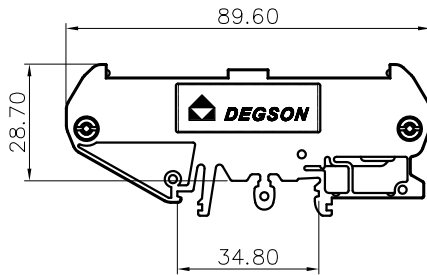
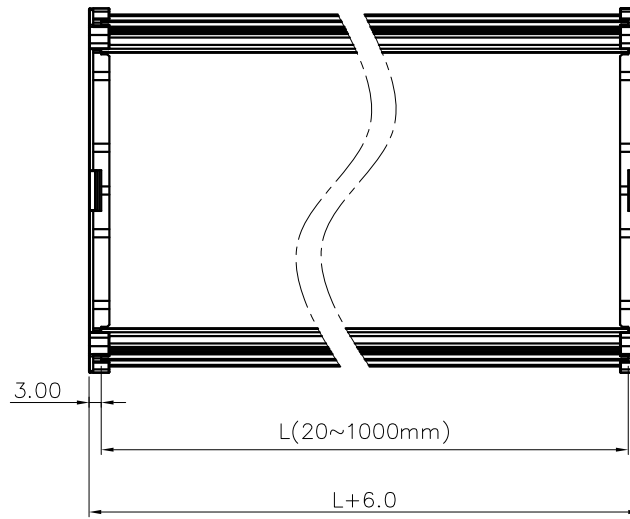


REVISION RECORD				
REV	ECN	DESCRIPTION	DRFT	DATE

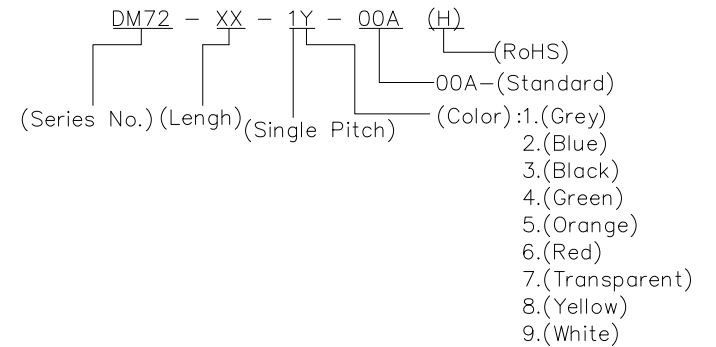


NOTES:

- 1.Dimension shall be interpreted per ASME Y14.5-2009
- 2.Operating temperature: -20°C~+50°C
- 3.Undimensioned tolerances:

Pitch range in mm		Nominal dimension range in mm				Tolerances	
TO	Over	TO	Over	TO	Over	0.1/10	
6	10	24	30	60	100	150	
±0.15	±0.20	±0.30	±0.30	±0.50	±0.70	±1.00	±1.30
							±2'

4.RoHS Compliance



DETACHED LISTS	PART NO.:	宁波高松电子有限公司 NINGBO DEGSON ELECTRICAL CO., LTD			
	APPD:	NAME: DM72-XX-1Y-00A(H)			
	CHKD:	TITLE: CUSTOMER DRAWING			
	DRFT:	DRAWING NO.:		REV	DO
	THIRD ANGLE PROJECTION		MM (INCH)	DO NOT SCALE DRAWING	SHEET 1/1
			SCALE	1:1	