

# Technical data sheet

## Junction box T 100, closed

Art.-Nr. 2007255



The junction boxes are made of a thermoplastic polypropylene polymer with closed side walls. This means that the required openings can be made wherever they are required. EDK plug-in seals or cable glands with locknuts can be inserted in these openings, to allow cable insertion. The junction boxes can be mounted on mounting plates in the openings on the floor using steel screws 3,5 x 9,5. Clear internal dimensions: 136x102x57 mm. Cover with labelling panel and lead-sealed.



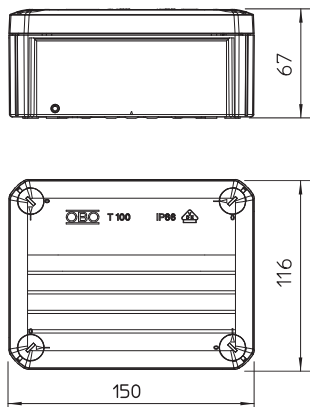
**PP** Polypropylene

|   |  |
|---|--|
| Product additional text for information | Standard version: flame-resistant, testing temperature 650 °C. |
| Product additional text 2               | Clear internal dimensions: 136x102x57 mm                       |
| Product additional text 3               | Protection rating IK code; IK07.                               |

### Master data

|                     |                           |
|---------------------|---------------------------|
| Item No.            | 2007255                   |
| Type                | T 100 OE                  |
| Description 1       | Junction box              |
| Description 2       | without insertion opening |
| Dimension           | 150x116x67                |
| Colour              | Light grey                |
| RAL number          | 7.035,00                  |
| Material            | Polypropylene             |
| Material symbol     | PP                        |
| Smallest sales unit | 1,00 pcs                  |
| Weight              | 16,20 kg/100 pcs.         |

### Technical specifications



|                                |                                     |
|--------------------------------|-------------------------------------|
| Length                         | 150,00 mm                           |
| Width                          | 116,00 mm                           |
| Height                         | 67,00 mm                            |
| Clear internal dimensions      | 136x102x57 mm                       |
| Dimension LxWxH                | 150x116x67 mm                       |
| Dimension                      | 150x116x67 mm                       |
| Expandable                     | <input checked="" type="checkbox"/> |
| Type of entry                  | Cable                               |
| Type of entry                  | None                                |
| Type of housing penetration    | Without                             |
| Version                        | Closed                              |
| Measured insulation voltage Vi | 500,00 V                            |
| Equipment                      | Without                             |
| Cover                          | Not transparent                     |
| Cover fastening                | Screwed                             |
| Entries                        | None                                |
| Entry from rear                | <input checked="" type="checkbox"/> |
| Explosion-tested version       | <input checked="" type="checkbox"/> |

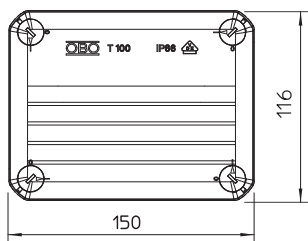
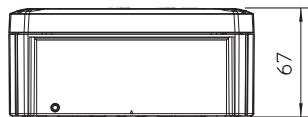
# Technical data sheet

## Junction box T 100, closed

Art.-Nr. 2007255



### Technical specifications



|                                    |   |
|------------------------------------|---|
| Flame resistant                    | flame resistant to VDE 0471/DIN 695 Part 2-1, test temperature 750° C |
| Shape                              | Rectangular   |
| Function maintenance (ETIM)        | Without   |
| For Ex zone                        | Without   |
| For Ex zone gas                    | Without   |
| For Ex zone dust                   | Without   |
| Glass-fibre reinforced             | <input checked="" type="checkbox"/>                                   |
| Halogen-free                       | <input checked="" type="checkbox"/>                                   |
| With screening                     | <input checked="" type="checkbox"/>                                   |
| with lid                           | Yes   |
| With cover                         | <input checked="" type="checkbox"/>                                   |
| Installation type                  | Wall/ceiling mounting   |
| Mounting type                      | Wall/ceiling mounting   |
| Nominal cross section              | 10,00 mm <sup>2</sup>   |
| Nominal voltage                    | 500,00 V  |
| Protection rating                  | IP66  |
| Protection rating                  | IP66  |
| Protection rating IK code          | IK07.   |
| Sealable                           | <input checked="" type="checkbox"/>                                   |
| max. permitted ambient temperature | -5,00 - 60,00 °C  |
| Transparent lid                    | <input checked="" type="checkbox"/>                                   |
| Weatherproof                       | <input checked="" type="checkbox"/>                                   |