

Technical data sheet

Junction box T 250, plug-in seal

Art.-Nr. 2007109



All the T series junction boxes are UV-resistant. They are made of a thermoplastic polypropylene plastic with plug-in seals made of ethylene vinyl acetate (EVA). This plastic is soft, which means that it is malleable. This allows installation of cables through the 9 x M25 7 x M32 seals, or the seals can be cut with a knife at the pre-marked points, in order to create an insertion opening for cables or pipes. Alternatively, instead of seals, cable glands can be inserted through the openings and be countered internally with a locknut. The junction boxes can be mounted on mounting plates in the openings on the floor using steel bolts 3.5 x 9.5. Clear internal dimensions: 225x173x86 mm. Cover with labelling panel and lead-sealed.



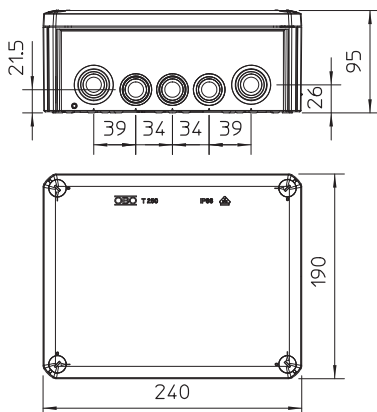
PP/GF Polypropylene, Glass-fibre reinforced

Product additional text for information	Standard version: flame-resistant, testing temperature 650 °C. F version: highly flame-resistant, testing temperature 960 °C.
Product additional text 2	Clear internal dimensions: 225x173x86 mm
Product additional text 3	Protection rating IP66; Protection rating IK code IK05.

Master data

Item No.	2007109
Type	T 250
Description 1	Junction box
Description 2	with entries
Dimension	240x190x95
Colour	Light grey
RAL number	7.035,00
Material	Polypropylene, fibre-glass reinforced
Material symbol	PP/GF
Smallest sales unit	1,00 pcs
Weight	50,00 kg/100 pcs.

Technical specifications



Length	240,00 mm
Width	190,00 mm
Height	95,00 mm
Clear internal dimensions	225x173x86 mm
Dimension LxWxH	240x190x95 mm
Dimension	240x190x95 mm
Expandable	<input checked="" type="checkbox"/>
No. of entries	16,00
Type of entry	Cable
Type of entry	Plug-in seal
Type of housing penetration	Cuttable stepped membrane
Version	Standard
Appendix document	634451 (tserie.pdf); 634124 (harte_typen.pdf)
Measured insulation voltage Vi	500,00 V
Equipment	Without
Cover	Not transparent
Cover fastening	Screwed

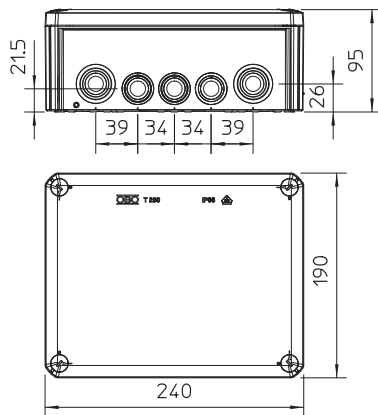
Technical data sheet

Junction box T 250, plug-in seal

Art.-Nr. 2007109



Technical specifications



Entries	9 x M25 7 x M32
Entry from rear	<input checked="" type="checkbox"/>
Explosion-tested version	<input checked="" type="checkbox"/>
Flame resistant	flame resistant to VDE 0471/DIN 695 Part 2-1, test temperature 650° C
Shape	Rectangular
Function maintenance (ETIM)	Without
For Ex zone	Without
For Ex zone gas	Without
For Ex zone dust	Without
Glass-fibre reinforced	<input checked="" type="checkbox"/>
Halogen-free	<input checked="" type="checkbox"/>
With screening	<input checked="" type="checkbox"/>
with lid	With four lid quick-release locks
With cover	<input checked="" type="checkbox"/>
Installation type	Wall/ceiling mounting
Mounting type	Wall/ceiling mounting
Nominal cross section	25,00 mm ²
Nominal voltage	500,00 V
Protection rating	IP66
Protection rating	IP66
Protection rating IK code	IK05.
Sealable	<input checked="" type="checkbox"/>
max. permitted ambient temperature	-5,00 - 60,00 °C
Transparent lid	<input checked="" type="checkbox"/>
Weatherproof	<input checked="" type="checkbox"/>