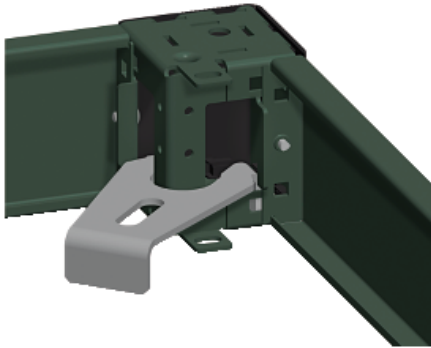




Price\* : 60.00 GBP



### Main

Range	Spacial
Accessory / separate part category	Fixing accessory
Product or component type	Fixing bracket
Application	Multi-purpose
For enclosure nominal dimensions	-
Mounting support	Plinth kit
Range compatibility	Spacial CRN Spacial S3D Spacial SF Spacial SM Spacial SD
Device composition	4 bracket
Quantity per set	Set of 1

### Complementary

Material	Steel
Surface finish	Zinc coated
Fixing mode	By screws - screw type M12 - on floor location
Thickness	4 mm

### Offer Sustainability

Sustainable offer status	Green Premium product
RoHS (date code: YYWW)	Compliant - since 0940 - Schneider Electric declaration of conformity <a href="#">Schneider Electric declaration of conformity</a>
REACH	Reference not containing SVHC above the threshold <a href="#">Reference not containing SVHC above the threshold</a>
Product environmental profile	Available

 Product Environmental Profile

---

Product end of life instructions	Need no specific recycling operations
----------------------------------	---------------------------------------

---

Contractual warranty

---

Warranty period	18 months
-----------------	-----------

---