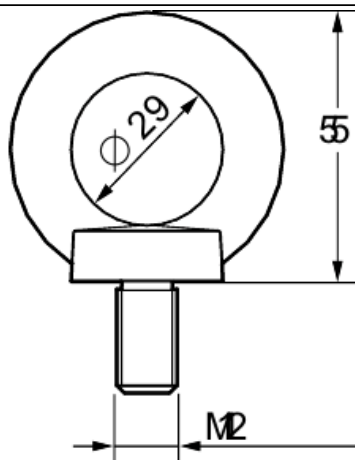




Price\* : 13.57 GBP



### Main

Range	Spacial
Category	Lifting accessory
Product or component type	Lifting eye
Application	Multi-purpose
Mounting location	Enclosure top
Mounting support	Directly in the axis of the uprights
Range compatibility	Spacial SFHD Spacial SF Prisma PH Spacial SFM
Device composition	4 eyebolt
Quantity per set	Set of 1


### Complementary

Material	Cast steel
Surface finish	Galvanized
Fixing mode	Screwed
Permanent permissible load	1360 kg slinging at 60°
Height	62.5 mm
Width	55 mm
Depth	24 mm
Diameter	29 mm
ISO thread	M12

### Offer Sustainability

Sustainable offer status	Green Premium product
RoHS (date code: YYWW)	Compliant - since 0940 - Schneider Electric declaration of conformity

 [Schneider Electric declaration of conformity](#)

REACH	Reference not containing SVHC above the threshold <a href="#">Reference not containing SVHC above the threshold</a>
Product environmental profile	Available  <a href="#">Product Environmental Profile</a>
Product end of life instructions	Need no specific recycling operations

### Contractual warranty

Warranty period	18 months
-----------------	-----------