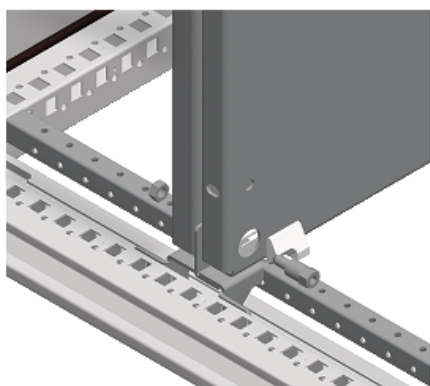




Price\* : 20.37 GBP



### Main

Category	Mounting accessory
Product or component type	Fixing bracket
Range compatibility	Spacial SF
Application	Multi-purpose
For enclosure nominal dimensions	-
Mounting location	On structure of enclosure On 2 mounting plates back to back position
Product destination	For mounting plate
Device composition	4 bracket Fixing elements
Quantity per set	Set of 1
Material	Steel

### Complementary

Surface finish	Zinc coated
Fixing mode	By fixing element
Adjustment	Adjustable with a pitch of 25 mm
Height	90 mm
Width	120 mm
Depth	185 mm

### Offer Sustainability

Sustainable offer status	Green Premium product
RoHS (date code: YYWW)	Compliant - since 0940 - Schneider Electric declaration of conformity <a href="#">Schneider Electric declaration of conformity</a>
REACH	Reference not containing SVHC above the threshold Reference not containing SVHC above the threshold

---

Product environmental profile	Available <a href="#">Product Environmental Profile</a>
-------------------------------	--

---

Product end of life instructions	Need no specific recycling operations
----------------------------------	---------------------------------------

---

**Contractual warranty**

---

Warranty period	18 months
-----------------	-----------

---