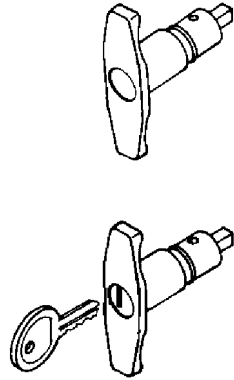


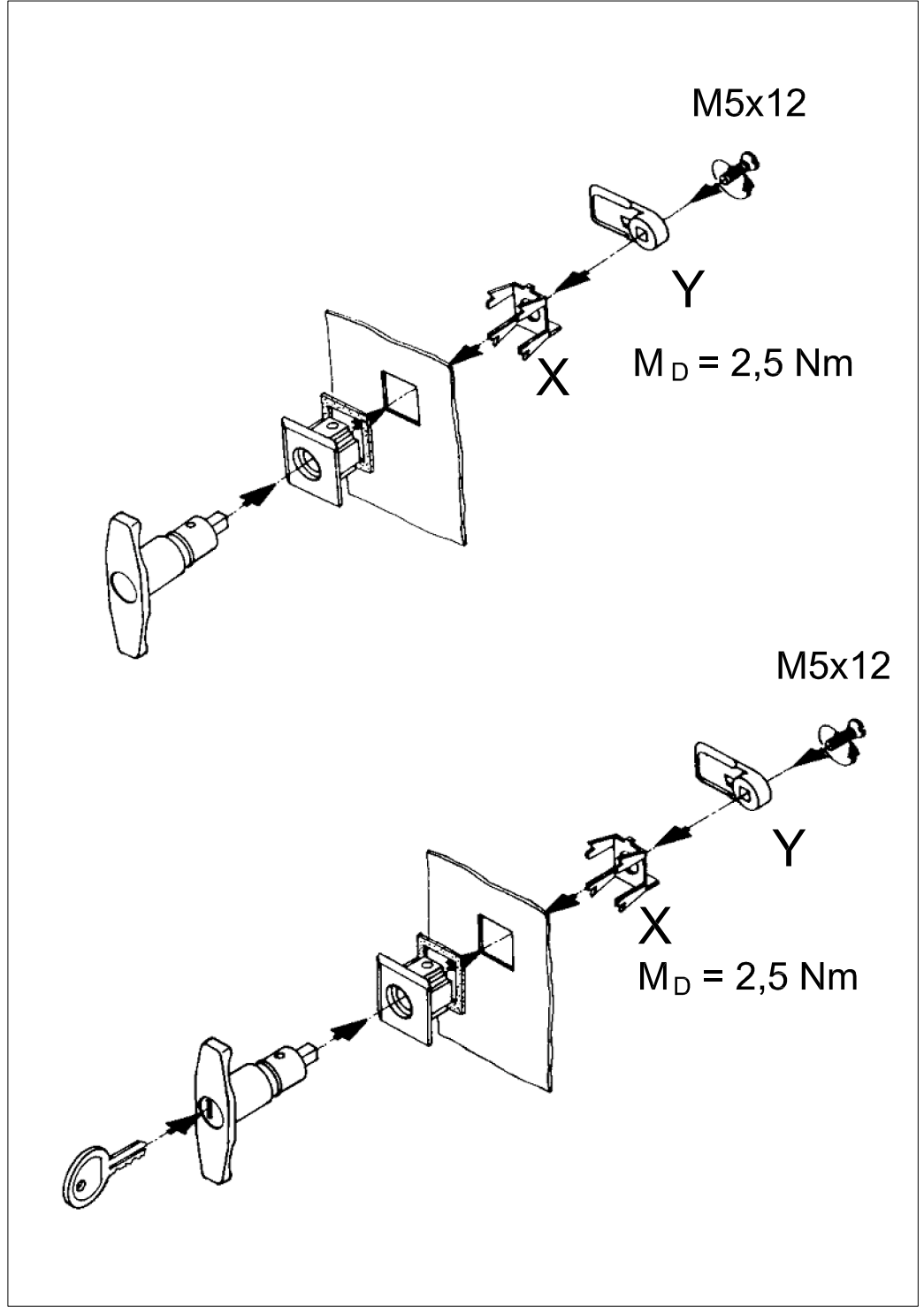
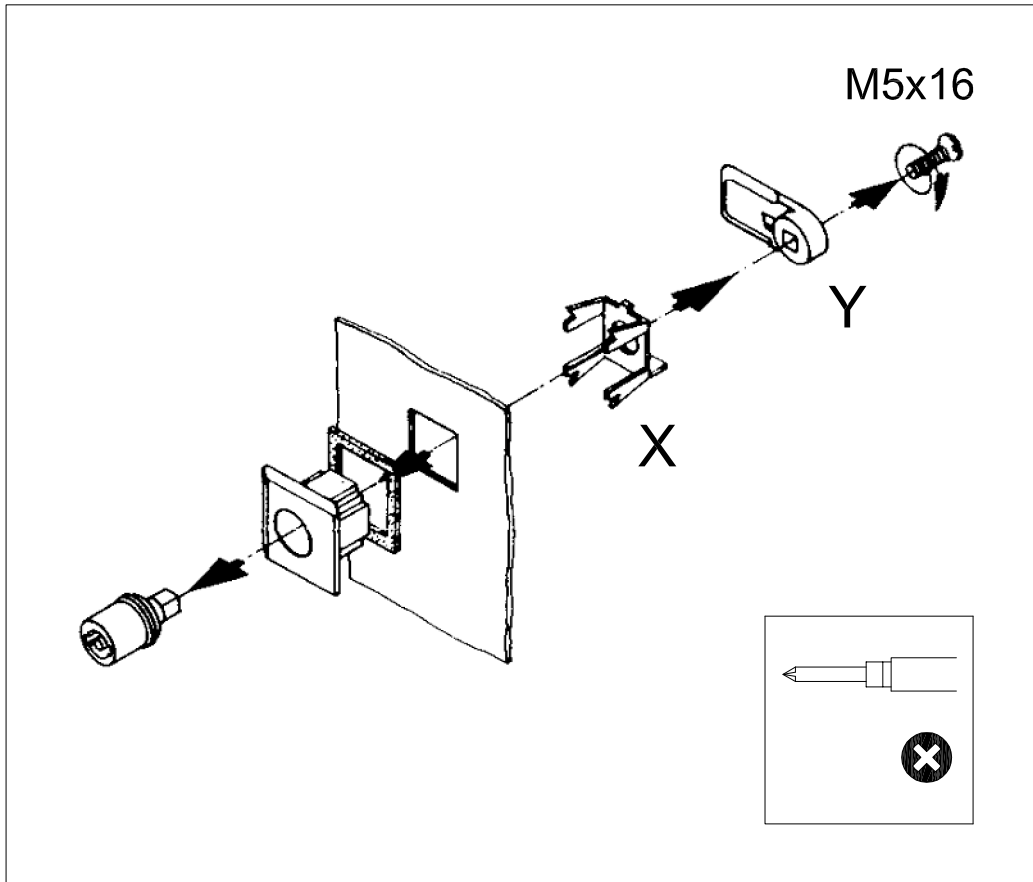


SZ

2572.000



2575.000



Zchn.-Nr. / No. of dwg. : A4313101SZ  
Versandbeutel-Nr. / No. of accessory bag : -

Lieferanten-Nr. / No. of supplier :