



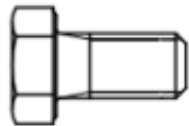
KL  
1590.000

Raum für Verpackungsdatum  
Area for date of packing  
(MMJJTT / MMYDD)

(1) 4x



(2) 4x



M8x16

(3) 4x



6x18x2,5

(4) 4x

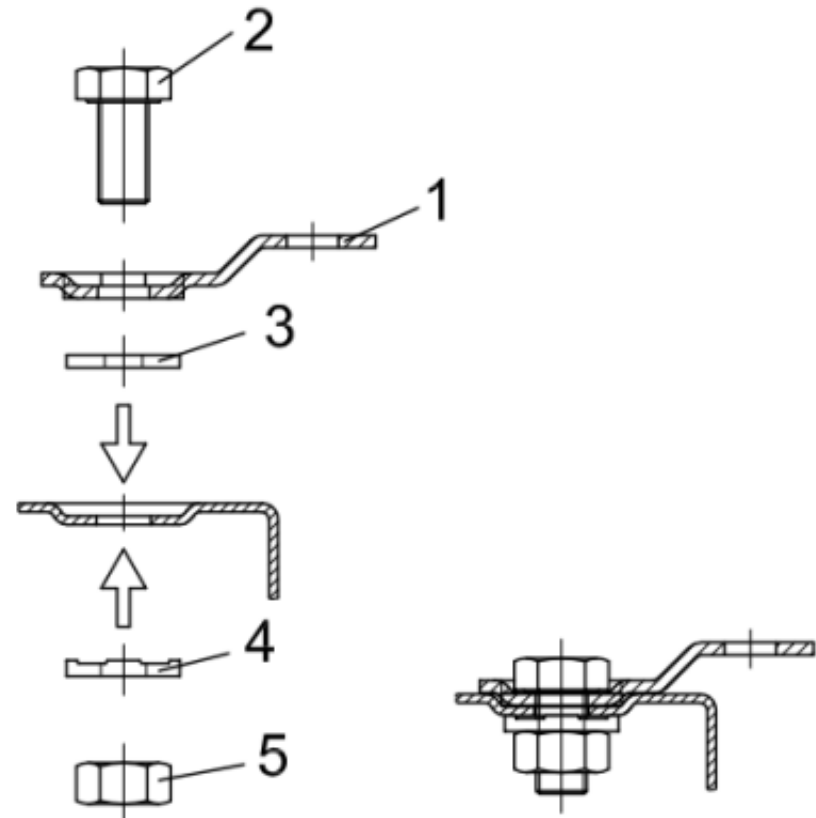


8,2x16

(5) 4x



M8



$M_D = 10+1 \text{ Nm}$

Zchn.-Nr. / No. of dwg. : A1789004KL

Versandbeutel-Nr. / No. of accessory bag : -

Lieferanten-Nr. / No. of supplier :