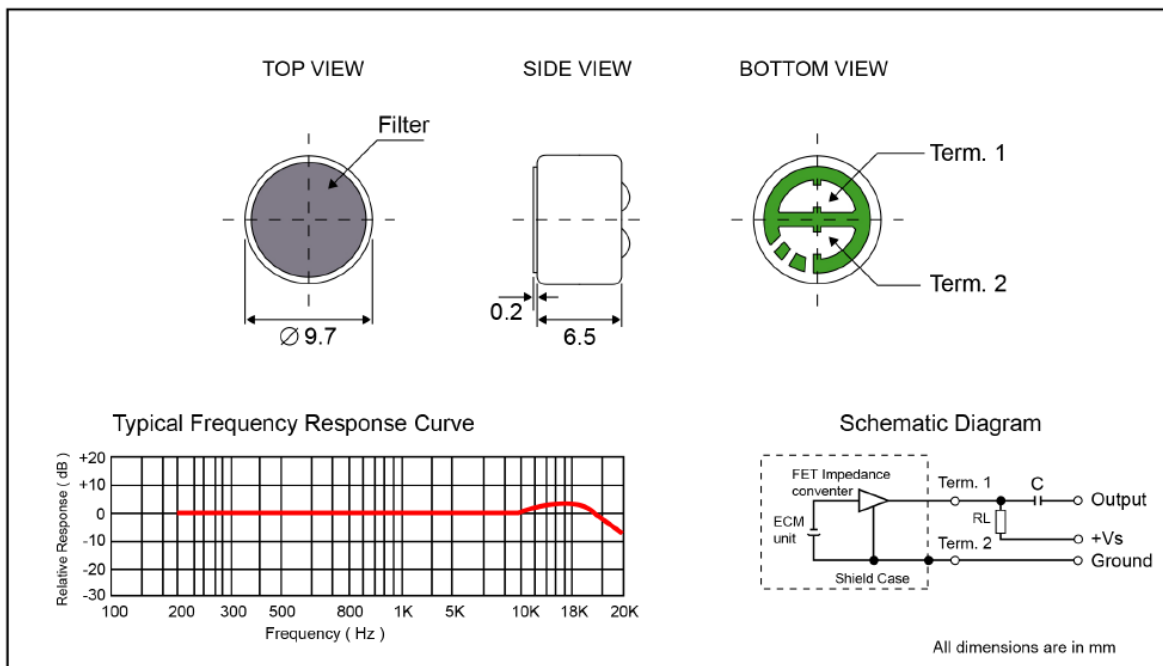


Electret Condenser Microphone



DIMENSIONS

Date : 10 Nov.,2015



Ref no. : EP176-R

Sensitivity : - 30 +/- 2 dB

Vs : 4.5V

RL : 2.2K Ω



ELECTRICAL SPECIFICATIONS

Model No.	LD-MC-9765
Sensitivity [0dB = 1V/pa, 1KHz]	See above
Impedance	Low Impedance
Directivity	Omnidirectional
Frequency	200 ~ 20KHz
Voltage range	1.5 ~ 10V
Standard operation voltage	4.5V
Current consumption	Max. 0.5mA
Sensitivity reduction	Within -3dB at 1.5V
S/N ratio	More than 55dB