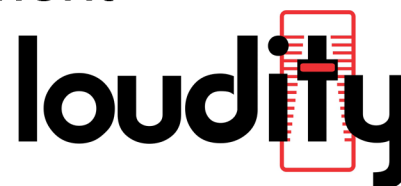


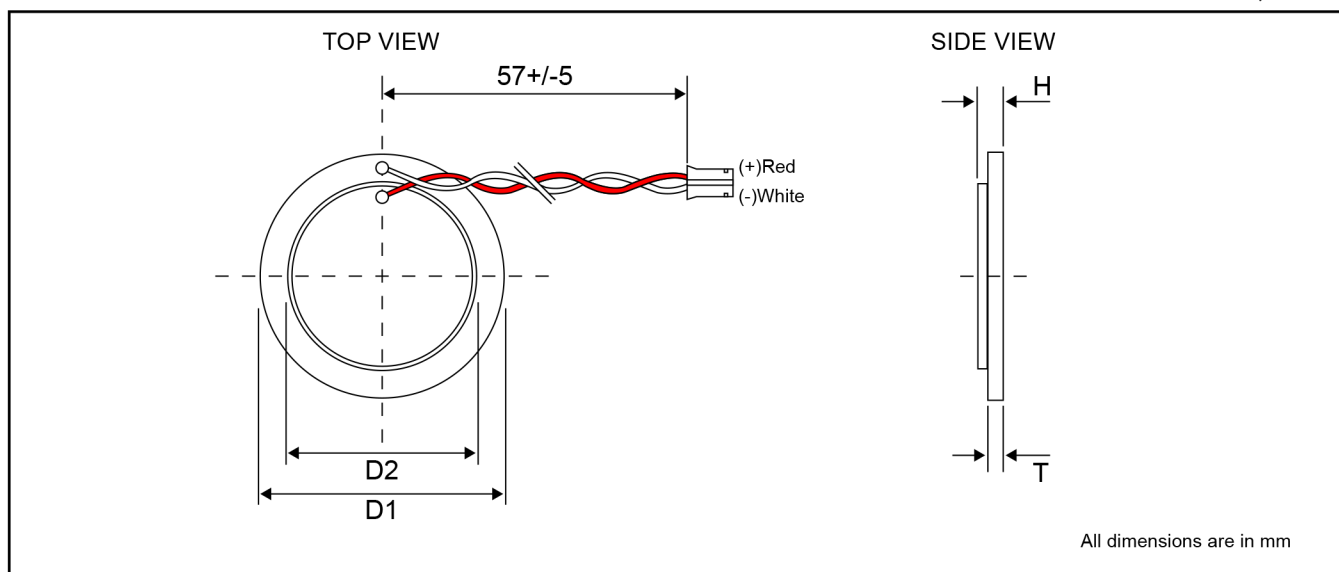
# External Drive Piezoceramic Element

## SPE series



### DIMENSIONS

Date : 05 Dec.,2016



Ref no. : US567-1R

Remark: UL1007 AWG#26, equivalent connector: JP24181-2P PH2.0



### ELECTRICAL SPECIFICATIONS

Model No.		LD-EDPE-2720
Diameter (D1)	[+/-0.1mm]	27
Ceramic Diameter (D2)	[+/-0.4mm]	20
Metal Thickness (T)	[+/-0.02mm]	0.15
Total Height (H)	[+/-0.05mm]	0.30
Frequency	[Hz]	3000 +/- 500
Capacitance at 1KHz/1V	[pF]	35000 +/- 30%
Impedance	[ohm]	300Max.
Insulation Resistance	[ohm]	100M Min.
Input Voltage	[Vp-p]	30 Max.
Terminal		Wire
Metal Material		Brass
Metal Colour		Golden
Operating Temperature	[°C]	-20 ~ +70
Storage Temperature	[°C]	-30 ~ +80