

MAGNETIC TRANSDUCER

Customer	
Customer P/O	
Bestar Model Name	BMT1205XH7.5
Product No.	020200
Issue No.	BS/TET01.036A
Issue Date	03/05/28

Approval:

- 1.Characteristic
- 2.Drawing
- 3.Reliability Test
- 4.Packing



BESTAR ELECTRONICS INDUSTRY CO.,LTD
TianAn Industry Park4/F,Site B ChangZhou New District
Tel:86-519-5103228
Fax:86-519-5131010
Http:www.be-star.com
E-Mail:bestarco@pub.cz.jsinfo.net

BMT1205XH7.5

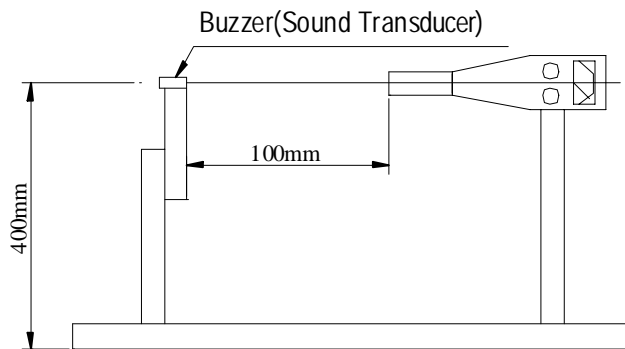


1. Characteristic


Electrical and Mechanical Characteristics

No.	Item	Specification
1.	Operating Voltage(V)	3~7
2.	Rated Voltage(V)	5
3.	a)Sound Output at 10cm(dB)	min.83
4.	a)Rated Current(mA)	max.30
5.	a)Resonance Frequency (Hz)	2300 ± 400
6.	Operating Temperature(° C)	-20...+70
7.	Storage Temperature (° C)	-25...+80
a)Value Appling at Rated Voltage		

Standard Output Measurement Setup

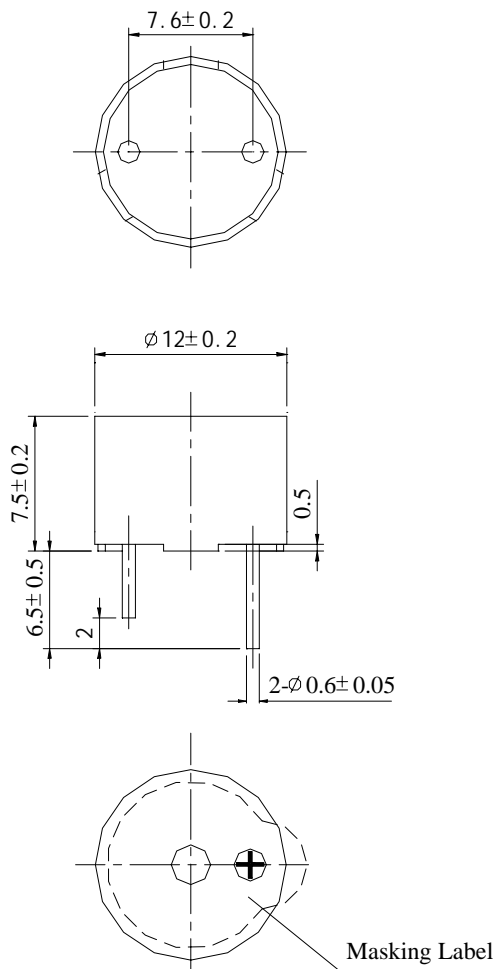


This print and information therein are proprietary to Bestar Electronics Industry Co., Ltd. and shall not be used in whole or in part without its written consent 020203

DIS.		DATE		Page:1 of 4 3rd angle projection	BMT1205XH7.5
CHEC.		DATE			Transducer
APPR.		DATE			DRG NO BS/TET01.036A
 BESTAR ELECTRONICS INDUSTRY CO.,LTD TianAn Industry Park 4/F,Site B ChangZhou New District E-Mail:bestarco@ pub.cz.jsinfo.net Http:www.be-star.com					

BMT1205XH7.5

2. Drawing



This print and information therein are proprietary to Bestar Electronics Industry Co., Ltd. and shall not be used in whole or in part without its written content 020203

DIS.		DATE		Page:2 of 4 3rd angle projection	BMT1205XH7.5
CHEC.		DATE			Transducer
APPR.		DATE			
 BESTAR ELECTRONICS INDUSTRY CO.,LTD TianAn Industry Park 4/F,Site B ChangZhou New District E-Mail:bestarco@ pub.cz.jsinfo.net Http:www.be-star.com					DRG NO BS/TET01.036A

BMT1205XH7.5

3. Reliability test

3.1 High temperature test

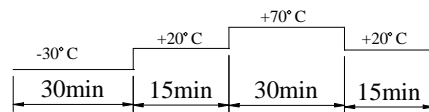
Temperature +80° C
Duration 96hrs

3.2 Low temperature test

Temperature -25° C
Duration 96hrs

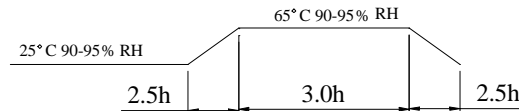
3.3 Temperature cycle test

Cycles 5



3.4 Humidity cycle test

Cycles 10



all these tests above should be measured after leaving normal temperature for 2hrs.

3.5 Load test

Power supply rated voltage
Duration 1000hrs

3.6 Vibration Test

Vibration Frequency 10~55Hz
Amplitude 1.5mm
Duration x,y&z directions 30min

3.7 Drop test

Height 70cm
(to 10mm thickness woodenboard)
Direction 3

3.8 Solderability test

Solderability temperature 255° C
Heat applying time 3sec

Notice: After the test the part shall meet specifications without any degraance and performance except S.P.L, S.P.L shall be 80dB more .

This print and information therein are proprietary to Bestar Electronics Industry Co., Ltd. and shall not be used in whole or in part without its written content 020203

DIS.		DATE		Page:3 of 4 3rd angle projection
CHEC.		DATE		
APPR.		DATE		

BMT1205XH7.5

Transducer

DRG NO
BS/TET01.036A



BESTAR ELECTRONICS INDUSTRY CO.,LTD

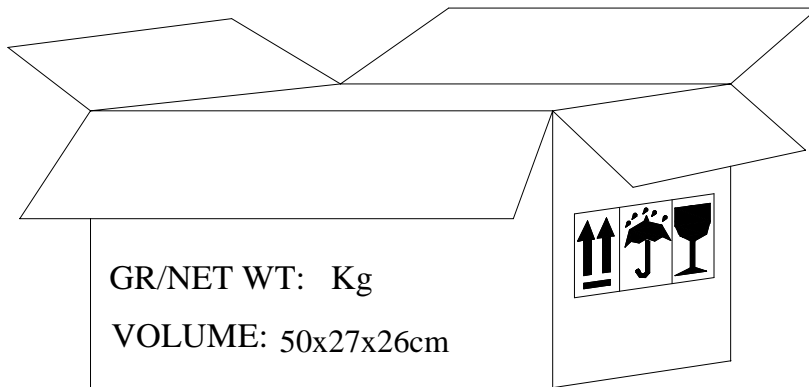
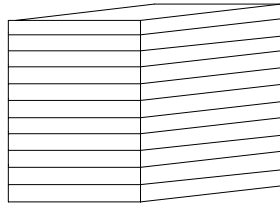
TianAn Industry Park 4/F,Site B ChangZhou New District

E-Mail:bestarco@ pub.cz.jsinfo.net Http:www.be-star.com

This print and information there in are proprietary to Bestar Electronics Industry Co., Ltd. and shall not be used in whole or in part without its written content No020203

BMT1205XH7.5

4. Packing



- 1)100pcs/tray
- 2)30tray/carton
- 3)3000 pcs/carton in total
- 4)carton size 50x27x26cm

DIS.		DATE		Page:4 of 4 3rd angle projection	BMT1205XH7.5
CHEC.		DATE			Transducer
APPR.		DATE			DRG NO BS/TET01.036A
 BESTAR ELECTRONICS INDUSTRY CO.,LTD TianAn Industry Park 4/F,Site B ChangZhou New District E-Mail:bestarco@ pub.cz.jsinfo.net Http:www.be-star.com					