

MAGNETIC TRANSDUCER

Customer	
Customer P/O	
Bestar Model Name	BMT-1203XH7.5
Product No.	020202
Issue No.	BS/TET01.049A
Issue Date	01/03/13

Approval:

- 1.Characteristic
- 2.Drawing
- 3.Reliability Test
- 4.Packing



BESTAR ELECTRONICS INDUSTRY CO.,LTD
TianAn Industry Park4/F,Site B ChangZhou New District
Tel:86-519-5103228
Fax:86-519-5131010
Http:www.be-star.com
E-Mail:bestarco@pub.cz.jsinfo.net

BMT-1203XH7.5

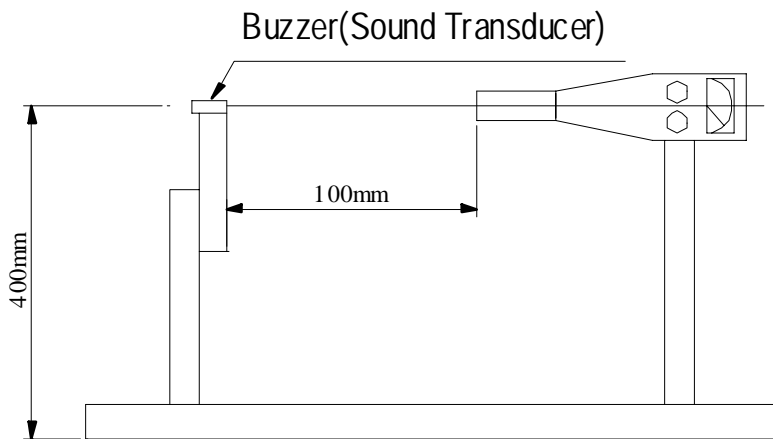


1. Characteristic

Electrical and Mechanical Characteristics

No.	Item	Specification
1.	Operating Voltage(V)	2-5
2.	Rated Voltage(V)	3
3.	Sound Output at 10cm(dB)	Min.82
4.	Rated Current(mA)	Max.30
5.	Resonance Frequency (Hz)	2300 ± 400
6.	Response Time	Max. 50ms
7.	Housing Material	NORYL
8.	Operating Temperature(°C)	-20...+70
9.	Storage Temperature (°C)	-25...+80
Value Appling at Rated Voltage		

Standard Output Measurement Setup



This print and information therein are proprietary to Bestar Electronics Industry Co., Ltd and shall not be used in whole or in part without its written consent 020202

DIS.		DATE		Page:1 of 4
CHEC.		DATE		3rd angle projection
APPR.		DATE		

BESTAR ELECTRONICS INDUSTRY CO.,LTD
 TianAn Industry Park 4/F,Site B Chang Zhou New District
 E-Mail:bestarco@ pub.cz.jsinfo.net Http:www.be-star.com

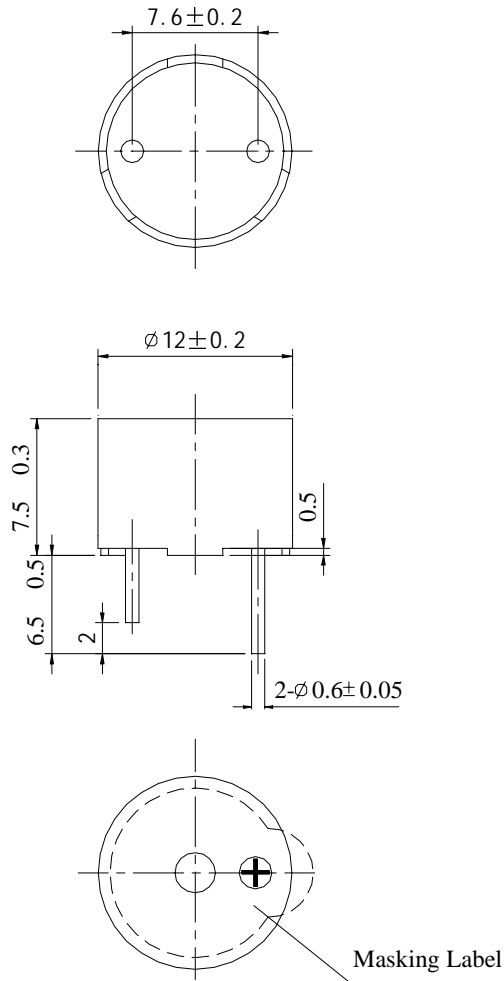
BMT-1203XH7.5

Transducer

**DRG NO
BS/TET01.049A**

BMT-1203XH7.5

2. Drawing



This print and information therein are proprietary to Bestar Electronics Industry Co., Ltd. and shall not be used in whole or in part without its written content 020202

DIS.		DATE		Page:2 of 4	BMT-1203XH7.5
CHEC.		DATE		3rd angle projection	
APPR.		DATE			Transducer
 BESTAR ELECTRONICS INDUSTRY CO.,LTD TianAn Industry Park 4/F,Site B ChangZhou New District E-Mail:bestarco@ pub.cz.jsinfo.net Http:www.be-star.com					DRG NO BS/TET01.049A

BMT-1203XH7.5

3. Reliability test

3.1 High temperature test

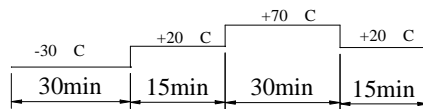
Temperature +80 c
Duration 96hrs

3.2 Low temperature test

Temperature -25 c
Duration 96hrs

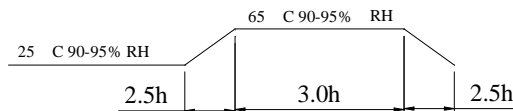
3.3 Temperature cycle test

Cycles 5



3.4 Humidity cycle test

Cycles 10



all these tests above should be measured after leaving normal temperature for 2hrs.

3.5 Load test

Power supply rated voltage
Duration 1000hrs

3.6 Vibration Test

Vibration Frequency 10~55Hz
Amplitude 1.5mm
Duration x,y&z directions 30min

3.7 Drop test

Height 70cm
(to 10mm thickness woodenboard)
Direction 3

3.8 Solderability test

Solderability temperature 255 C
Heat applying time 3sec

Notice: After the test the part shall meet specifications without any degrance and performance except S.P.L, S.P.L shall be 80dB more .

This print and information therein are proprietary to Bestar Electronics Industry Co., Ltd. and shall not be used in whole or in part without its written content 0202

DIS.		DATE		Page:3 of 4 3rd angle projection
CHEC.		DATE		
APPR.		DATE		

BMT-1203XH7.5

Transducer

DRG NO
BS/TET01.049A



BESTAR ELECTRONICS INDUSTRY CO.,LTD

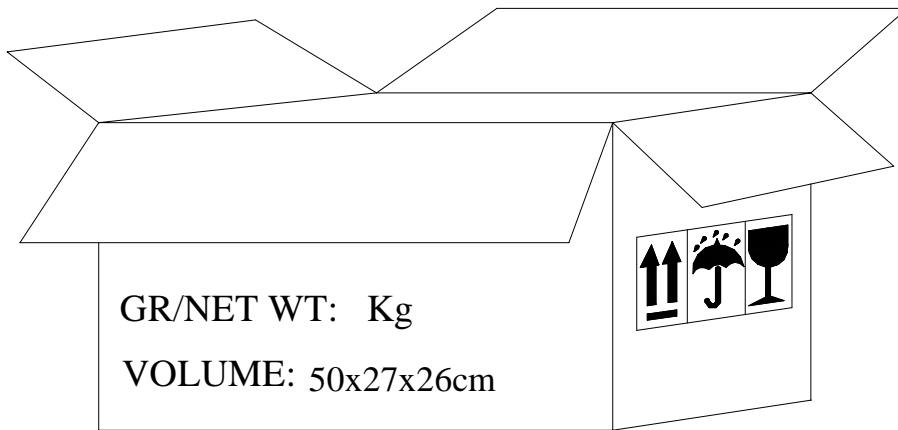
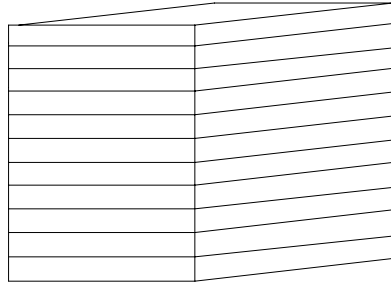
TianAn Industry Park 4/F,Site B ChangZhou New District

E-Mail:bestarco@ pub.cz.jsinfo.net Http:www.be-star.com

This print and information there in are proprietary to Bestar Electronics Industry Co., Ltd. and shall not be used in whole or in part without its written content No020202

BMT-1203XH7.5

4. Packing



- 1)100pcs/tray
- 2)30tray/carton
- 3)3000 pcs/carton in total
- 4)carton size 50x27x26cm

DIS.		DATE		Page:4 of 4	BMT-1203XH7.5
CHEC.		DATE		3rd angle projection	
APPR.		DATE			Transducer
 BESTAR ELECTRONICS INDUSTRY CO.,LTD TianAn Industry Park 4/F,Site B ChangZhou New District E-Mail:bestarco@ pub.cz.jsinfo.net Http:www.be-star.com					DRG NO BS/TET01.049A