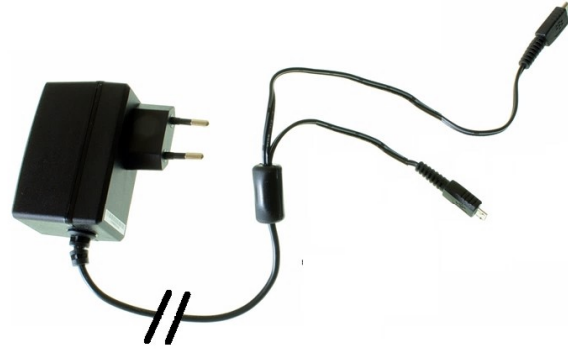
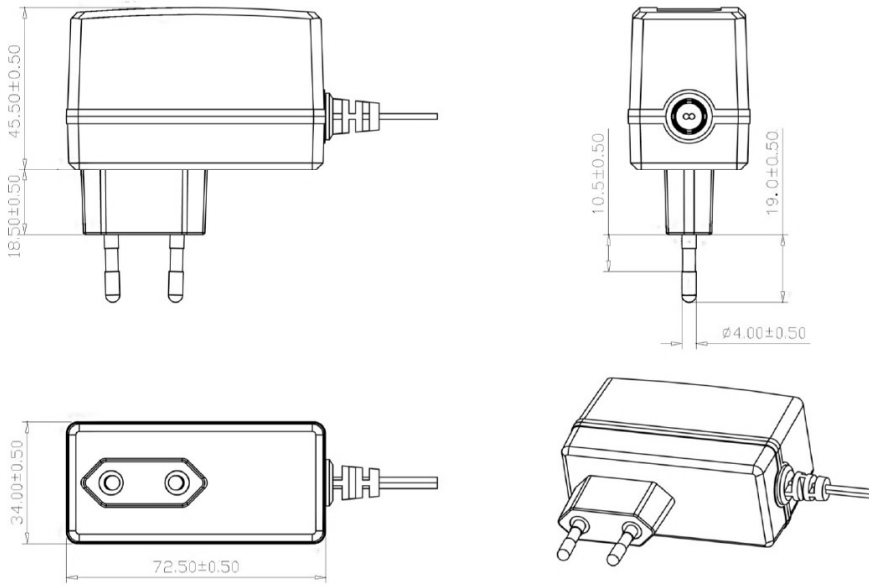


Country of Origin : China
 Operating Temperature : 0~40 [°C]
 Dimension : 72.5 x 34 x 45 [mm]
 Efficiency level (ErP) : 
 Approvals / Marks :

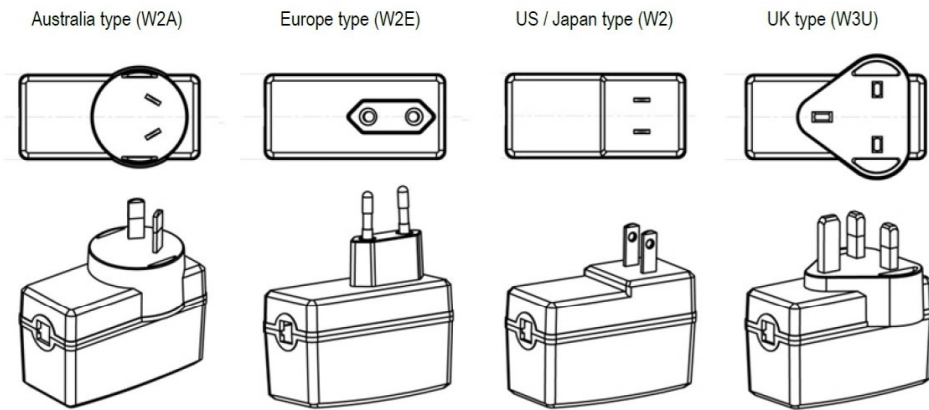


| Features: | | | | | | | | | | | |
|---|------------------|--|---------------|---------------|------------------|--|-------------|----------------|-------------------|-------------------------|----------------------------|
| Wall-mount power supply, single output. | | | | | | PSU housing ready for use in country : | | | | | |
| Overload, over voltage & short protection. | | | | | | USA (type W2) | | | Europe (type W2E) | | |
| For I.T.E. use only + RoHS conform. | | | | | | Australia (type W2A) | | | China (type W2C) | | |
| Wide range Input (90 ~ 264) VAC / (47 ~ 63) Hz. | | | | | | UK (type W3U) | | | | | |
| Specification: | | | | | | | | | | | |
| | Model | Voltage DC [V] | Min. Load [A] | Max. Load [A] | Total regul. [%] | OCP [A] | OVP max [V] | Max. Power [W] | Eff. [%] | Ripple & Noise [mV] p-p | Connector UL approval [mm] |
| | SYS1449-2005-Wxx | 5 | 0 | 4 | ±5 | 4.4~8.0 | 9 | 20 | >78 | 200 | Dual Micro USB |
| OEP Production This model is certified for upon models only. Uout=5V / Pout=15W or 20W | | | | | | | | | | | |
| Wxx Possible to order with Wxx = W2E - Europe W2 - USA,Canada,Japan W3U - UK W2A - Australia W2C - China | | | | | | | | | | | |
| OUTPUT | | | | | | | | | | | |
| Turn on delay | | 5000 ms max @ AC low line input@output full load | | | | | | | | | |
| Hold up time | | 8ms min @ AC nominal input@ output full load (> half cycle) | | | | | | | | | |
| Efficiency (Normal) | | Minimum average efficiency in active mode | | | | | | | | | |
| Transient response (dv, tmax) | | 1.2 dv max At AC nominal input loading from 50% load to max load or peak load. 12ms t max Dynamic rise time 10uS max , duty 40mS max , Dynamic load step is slew rate of 0.5A/uS | | | | | | | | | |
| Overshoot / Undershoot (δV , δT) | | more information will be provide on request | | | | | | | | | |
| Burn in test | | Full load 2 Hours | | | | | | | | | |
| INPUT | | | | | | | | | | | |
| Voltage | | (90 ~ 264)VAC | | | | | | | | | |
| Frequency | | (47 ~ 63) Hz | | | | | | | | | |
| Current | | 0.5A rms @ AC low line input and DC output full load | | | | | | | | | |
| Inrush Surge Current (cold start) | | 60A max @ At power supply cold start, ambient temperature 25°C @ 230Vac nominal AC input. | | | | | | | | | |
| Leakage current | | 0.25 mA Max. | | | | | | | | | |
| Power consumption | | <0.3W rms max. At AC nominal input@output min load | | | | | | | | | |
| PROTECTION | | | | | | | | | | | |
| Over Current / Short protection (OCP) | | The power supply will self-protect any output to ground, And auto recovery when abnormal circuit faults remove. An output short circuit is defined as any output impedance of less than 0.1 ohms. Short current and over current can not exceed 8A max after 1 min. at nominal line input. | | | | | | | | | |
| Over Voltage (OVP) | | The power supply will not be auto recovered when faults remove >>Voltage limit<< | | | | | | | | | |
| Input protection | | 1A Fuse - The power supply shall be protected against power line surges and any abnormal condition. | | | | | | | | | |
| No load protection | | The power supply is provided with no load operation to prevent the power supply and system from damage. | | | | | | | | | |
| Protection class | | II. | | | | | | | | | |
| OTHERS | | | | | | | | | | | |
| Dielectric Strength (Hi-pot) | | Primary to Secondary: 3000VAC / 10mA / 60s | | | | | | | | | |
| M.T.B.F | | 500,000 Calculated Hours at 25°C, by Telcordia SR-332 | | | | | | | | | |
| Cable length and type | | 1500mm (5feet) round cable, 1185#18*1C+SHIELD or depends on customer requirements | | | | | | | | | |
| PLD (power line disturbance) | | LINE POWER SURGE LINE VOLTAGE SAG – more information will be provide on request | | | | | | | | | |
| Cooling method | | By natural air | | | | | | | | | |
| Housing material | | PC or PPO | | | | | | | | | |
| Temperature coefficient: | | < ±0.5% / °C | | | | | | | | | |
| ENVIRONMENT | | | | | | | | | | | |
| Temperature | | Operating: (0 ~ 40)°C / Storage: (-20 ~ 85)°C | | | | | | | | | |
| Humidity | | Operating: 8% ~ 90% RH / Storage: 5% ~ 95% RH non condensing | | | | | | | | | |
| SAFETY CE TUV/GS CB FCC cULus PSE BSMI | | | | | | | | | | | |
| CE | | | | | | | | | | | |
| EMC | | 2014/30/EU | | | | | | | | | |
| LVD | | 2014/35/EU EN 60950-1:2006+A11+A12+A2 | | | | | | | | | |
| WEIGHT | | | | | | | | | | | |
| 1pc | | N.W.: 139g / pc G.W.: 155g / pc | | | | | | | | | |
| | | 0.38(L) x 0.44(W) x 0.23(H) [m] | | | | | | | | | |
| PACKING | | | | | | | | | | | |
| Box | | 80 pcs / 1box | | | | | | | | | |
| | | N.W.: 11.2kg/box G.W.: 13.4 kg/box | | | | | | | | | |

Mechanical case specification:



Mechanical specification (country housing):



Cable specification:

