

Country of Origin : China
 Operating Temperature : 0~40 [°C]
 Dimension : 70.5 x 33 x 35.5 [mm]
 Efficiency level (ErP) : VI



Approvals / Marks :



Specifications

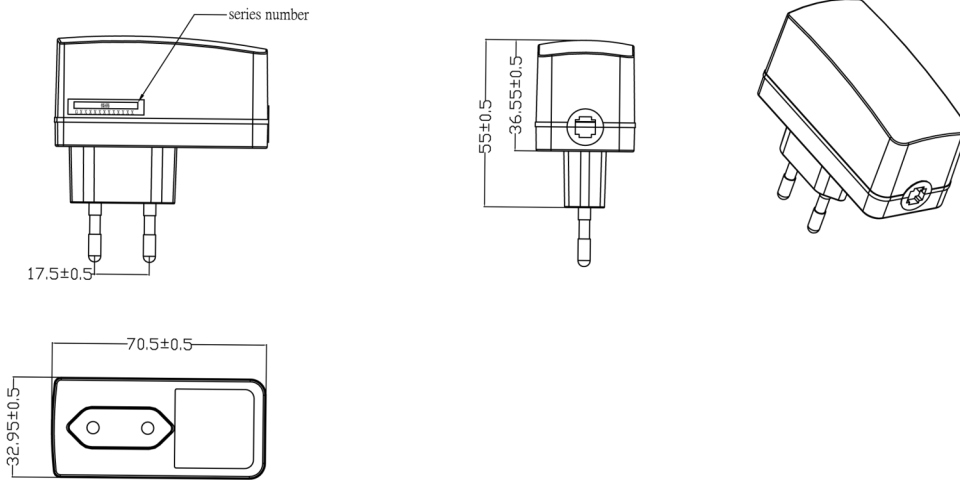
Model	Voltage DC [V]	Loading [A]	Max. Power [W]	Ripple / Noise [mV] p-p	Connector [mm]
SYS1530-1005-Wxx	5	0~2.0	10	150	2.1x5.5x11
SYS1530-0906-Wxx	6	0~1.5	9	150	2.1x5.5x11
SYS1530-0808-Wxx	7,5	0~1.0	8	180	2.1x5.5x11
SYS1530-0909-Wxx	9	0~1.0	9	180	2.1x5.5x11
SYS1530-1212-Wxx	12	0~1.0	12	180	2.1x5.5x11
SYS1530-1215-Wxx	15	0~0.8	12	200	2.1x5.5x11
SYS1530-1218-Wxx	18	0~0.66	12	200	2.1x5.5x11
SYS1530-1224-Wxx	24	0~0.5	12	240	2.1x5.5x11

Features:

PSU housing ready for use in country : Wxx = W2E - Europe | W2 - USA, Canada, Japan
 Output connector: standard: 2.1 x 5.5 x 11mm or customer requirement | Regulated Output With Low Ripple Noise | Safety Agency Requirements and EMI/EMS Certified
 Private Label Marking Available | Modified and Custom Design Available | 2 Years Warranty

OUTPUT		EMC	
Turn delay	5000 ms max @ AC low line input@output full load	Meet EN550022 class B, FCCpart 15 Sub part B class B	
Hold up time	5ms min@AC nominal input@output full load (>half cycle)	EN 60950-1:2006+A11 LVD2006/95/EC IEC 60950-1:2005	
Efficiency (Normal)	Meet CEC,DOE,ERP,MEPS Level VI @115v/60HZ,230V/50HZ	SAFETY	
Transient response (dv,tmax)	0.4v dv max At AC nominal input loading from 50% load to max load or peak load 16ms tmax Dynamic rise time 10uS max , duty 40mS max , Dynamic load step is slew rate of 0.5A/uS	UL GS CB CE FCC BSMI PSE	
Power out.Limit	Peak 13W	OTHERS	
Burn in limit	Full load 2 Hours	Dielectric Strength(Hi-pot)	Primary to Secondary:3000VAC 10mA/60S
Power consumption	Less than 0.075W ms max. At AC nominal input@output min load	M.T.B.F	500,000 Calculated Hours at 25°C, by Telcordia SR-332
INPUT		Cable Length	1370mm (4.5 feet) standard 2 wire cable or as required
Voltage	(90~264)VAC	PLD (power line disturbance)	Line power surge Line voltage SAG-more info on request
Frequency	(47~63)hz	Cooling method	Natural Convection Cooling
Current	0.3A rms @ AC low line input and DC output full load	Housing material	PC
Inrush Surge Current (cold start)	40/60A max@power supply cold start,ambient temperature 25°C @115Vac/230Vac nominal AC input	Temperature coefficient:	<±0.5%/°C
leakage current	0.25mA Max	ENVIRONMENT	
PROTECTION		Temperature	Operating: 0~40°C / Storage: -20%~85%°C
Over current/ Short protection	The power supply will self-protect any output to ground & auto recovery when abnormal circuit faults remove. An output short circuit is defined as any output impedance less than 0.1 ohms.	Humidity	Operating: 8%~90%RH / Storage: 5%~95% RH non condens-ing
Over Voltage	The power supply will be auto recovered when faults remove	WEIGHT	
Input protection	F1 1A/250V Fuse The power supply shall be protected against power line surges and any abnormal condition	NW: 75g/pc	
No Load protection	The power supply is provided with no load operation to prevent the power supply and system from damage.	GW: kg/box	
Protection class	II, (ITU-T K.21 Surge 6KV on request)	PACKING	
		PE plastic bag	100 pcs /1 box

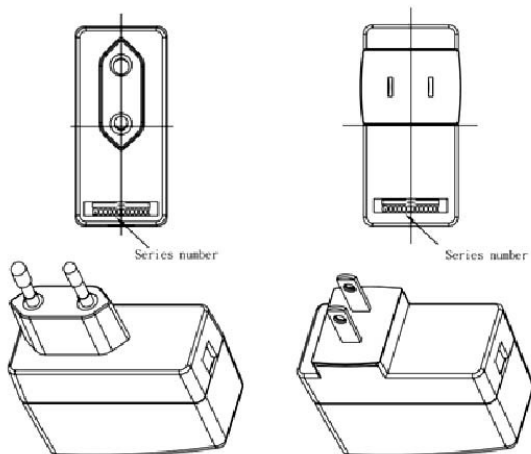
Mechanical case specification:



Mechanical specification (country housing):

Europe type (W2E)

US / Canada / Japan type (W2)



Cable specification:

a) 2.1*5.5*11 (2468#22*2C / 5FT)

