

Switching Power Supply S8TS

Block-type Power Supply Easily Connects With Multiple Units and Offers Many Output Combinations

- AC/DC Bus System.
- Up to four blocks can be connected to increase power from 60 to 240 W.
- N+1 redundant capability to highly reliable system.
- Flexible connection for multi-output power supply (5 V, 12 V, 24 V outputs).
- Size consistency minimizes stock types.
- UL 508 listed, Class 2 output and Class 1 Div. 2 approved.
- Complies with EN6100-3-2 (limits for harmonic current).
- 3-year warranty.



Ordering Information

Basic Block

Stock Note: Shaded models are normally stocked.

Description		Model	
Output voltage	Output current	With Bus Line Connectors	
		Connector terminal type	Screw terminal type
24 V	2.5 A	S8TS-06024F-E1	S8TS-06024-E1
12 V	2.5 A	S8TS-03012F-E1	S8TS-03012-E1
5 V	5 A	Without Bus Line Connectors	
		S8TS-02505F	S8TS-02505

Bus Line Connector

Stock Note: Shaded models are normally stocked.

Type	Number of Connectors	Model
AC line + DC line bus (For parallel operation)	1 Connector	S8T-BUS01
AC line bus (For series operation or isolated operation)	1 Connector	S8T-BUS02

Model Number Legend

S8TS- -

1 2 3 4

1. Capacity

- 060: 60 W
- 030: 30 W
- 025: 25 W

2. Output Voltage

- 24: 24 V
- 12: 12 V
- 05: 5 V

3. Structure

- None: Screw terminals
- F: Connector terminals

4. Bus Line Connectors

- None: Basic Block only
- E1: S8T-BUS01 and S8T-BUS02 included

Specifications

■ Ratings/Characteristics

24/12-V Models (Basic Block: S8TS-06024□/S8TS-03012□)

Item		Single operation	Parallel operation	
Efficiency		24-V models: 75% min.; 12-V models: 70% min. (with rated input, 100% load)		
Input	Voltage	100 to 240 VAC (85 to 264 VAC)		
	Frequency	50/60 Hz (47 to 63 Hz)		
	Current	100 V input	24-V models: 1.0 A max. 12-V models: 0.7 A max.	24-V models: 1.0 A × (No. of Blocks) max. 12-V models: 0.7 A × (No. of Blocks) max.
		200 V input	24-V models: 0.5 A max. 12-V models: 0.4 A max.	24-V models: 0.5 A × (No. of Blocks) max. 12-V models: 0.4 A × (No. of Blocks) max.
	Power factor	24-V models: 0.9 min.; 12-V models: 0.8 min. (with rated input, 100% load) (See note 3.)		
	Leakage current	100 V input	0.35 mA max.	0.35 mA × (No. of Blocks) max.
		240 V input	0.7 mA max.	0.7 mA × (No. of Blocks) max.
Inrush current (25°C, cold start) (See note 4.)	100 V input	25 A max.	25 A × (No. of Blocks) max.	
	200 V input	50 A max.	50 A × (No. of Blocks) max.	
Output (See note 3.)	Voltage adjustment range	24-V models: 22 to 28 V 12-V models: 12 V ±10% (with V.ADJ) (See note 1.)		
	Ripple	2% (p-p) max.		
	Input variation influence	0.5% max. (with 85 to 264 VAC input, 100% load)		
	Load variation influence	2% max. (with rated input, 10% to 100% load)	3% max. (with rated input, 10% to 100% load)	
	Temperature variation influence	0.05%/°C max. (with rated input and output)		
	Startup time (See note 4.)	1,000 ms max.		
	Hold time (See note 4.)	20 ms min. (with 100/200 VAC, rated input)		
Additional functions	Overcurrent protection (See note 4.)	105% to 125% of rated load current, inverted L drop type, automatic reset	100% to 125% of rated load current inverted L drop type, automatic reset	
	Overvoltage protection (See note 4.)	Yes		
	Parallel operation	Yes, 4 Blocks max.		
	N+1 redundant system	Yes, 5 Blocks max.		
	Series operation	Yes		
	Undervoltage indicator (See note 4.)	Yes (color: red)		
	Undervoltage detection output (See note 4.)	Yes (open collector output), 30 VDC max., 50 mA max.		
Other	Ambient operating temperature (See note 4.)	Operating: Refer to the derating curve in <i>Engineering Data</i> . Storage: -25 to 65 °C (with no icing or condensation)		
	Ambient humidity	Operating: 25% to 85%; Storage: 25% to 90%		
	Dielectric strength	3.0 kVAC, 50/60 Hz for 1 minute (between all inputs and all outputs; detection current: 20 mA)		
		2.0 kVAC, 50/60 Hz for 1 minute (between all inputs and GR terminal; detection current: 20 mA)		
		1.0 kVAC for 1 minute (between all outputs and GR terminal; detection current: 20 mA)		
	Insulation resistance	100 MΩ min. (between all outputs and all inputs, and between all outputs and GR terminal) at 500 VDC		
	Vibration resistance	10 to 55 Hz, 0.375-mm single amplitude for 2 h each in X, Y, and Z directions		
	Shock resistance	150 m/s ² , 3 times each in ±X, ±Y, and ±Z directions		
	Output indicator	Yes (color: green)		
	Electromagnetic interference	Conforms to FCC Class A, EN50081-1		
	EMI	Conforms to EN50081-1/1992		
	Power factor correction	Conforms to EN61000-3-2, EN61000-3-2 A14		
	EMS	Conforms to EN61000-6-2/1999		
	Approved standards	UL: 508 (Listing; Class 2: Per UL1310), 1950, 1604 (Class I, Division 2, Groups A, B, C, D Hazardous Locations) cUL: CSA C22.2 No.14, No.213 (Class I, Division 2, Groups A, B, C, D Hazardous Locations), No. 950 (Class 2) (See note 2.) EN/VDE: EN50178 (=VDE0160), 60950 (=VDE0806)		
	Weight	450 g max.	450 g × (No. of Blocks) max.	

- Note:**
1. Refer to the *Operation Section* for details on adjusting the output voltage for parallel operation.
 2. Class 2 approval does not apply to parallel operation.
 3. The output specification is defined at the power supply output terminals.
 4. Refer to the *Engineering Data Section* for details.

5-V Models (Basic Block: S8TS-02505□)

Item		Single operation	
Efficiency (typical)		62% min. (with rated input, 100% load)	
Input	Voltage	100 to 240 VAC (85 to 264 VAC)	
	Frequency	50/60 Hz (47 to 63 Hz)	
	Current	100 V input	0.7 A max.
		200 V input	0.4 A max.
	Power factor	0.8 min. (with rated input, 100% load)	
	Leakage current	100 V input	0.35 mA max.
		240 V input	0.7 mA max.
Inrush current (25°C, cold start) (See note 2.)	100 V input	25 A max.	
	200 V input	50 A max.	
Output (See note 1.)	Voltage adjustment range	5 V ± 10% (with V. ADJ) (See note 1.)	
	Ripple	2% (p-p) max.	
	Input variation influence	0.5% max. (with 85 to 264 VAC input, 100% load)	
	Temperature variation influence	0.05%/°C max. (with rated input and output)	
	Load variation influence	1.5% max. (with rated input, 10% to 100% load)	
	Startup time (See note 2.)	1,000 ms max.	
	Hold time (See note 2.)	20 ms min. (with 100/200 VAC, rated input)	
Additional functions	Overcurrent protection (See note 2.)	105% to 125% of rated load current, inverted L drop type, automatic reset	
	Overvoltage protection (See note 2.)	Yes	
	Parallel operation	No	
	N+1 redundant system	No	
	Series operation	Yes (with the external diode)	
	Undervoltage indicator (See note 2.)	Yes (color: red)	
	Undervoltage detection output (See note 2.)	Yes (open collector output), 30 VDC max., 50 mA max.	
Other	Ambient operating temperature (See note 2.)	Operating: Refer to the derating curve in <i>Engineering Data</i> . Storage: -25 to 65°C (with no icing or condensation)	
	Ambient humidity	Operating: 25% to 85%, Storage: 25% to 90%	
	Dielectric strength	3.0 kVAC, 50/60 Hz for 1 minute (between all inputs and all outputs; detection current: 20 mA)	
		2.0 kVAC, 50/60 Hz for 1 minute (between all inputs and GR terminal; detection current: 20 mA)	
		1.0 kVAC for 1 minute (between all outputs and GR terminal; detection current: 20 mA)	
	Insulation resistance	100 MΩ min. (between all outputs and all inputs, and between all outputs and GR terminal) at 500 VDC	
	Vibration resistance	10 to 55 Hz, 0.375-mm single amplitude for 2 h each in X, Y, and Z directions	
	Shock resistance	150 m/s ² , 3 times each in ±X, ±Y, and ±Z directions	
	Output indicator	Yes (color: green)	
	Electromagnetic interference	Conforms to FCC Class A, EN50081-1	
	EMI	Conforms to EN50081-1/1992	
	Power factor correction	Conforms to EN61000-3-2, EN61000-3-2A14	
	EMS	Conforms to EN61000-6-2/1999	
Approved standards	UL: 508 (Listing), 1950, 1604 (Class I, Division 2, Groups A, B, C, D Hazardous Locations) cUL: CSA C22.2 No.14, No.213 (Class I, Division 2, Groups A, B, C, D Hazardous Locations), No. 950 EN/VDE: EN50178 (=VDE0160), 60950 (=VDE0806)		
Weight	450 g max.		

Note: 1. The output current specification is defined at the power supply output terminals.

2. Refer to the *Engineering Data Section* for details.

Reference Value

Item	Value	Definition
Reliability (MTBF)	250,000 hrs min.	MTBF stands for Mean Time Between Failures, which is calculated according to the probability of accidental device failures, and indicates reliability of devices. Therefore, it does not necessarily represent the life of the product.
Life expectancy	10 yrs min.	The life expectancy indicates average operating hours under the ambient temperature of 40°C and a load rate of 50%. Normally this is determined by the life expectancy of the built-in aluminum electrolytic capacitor.

Operation

Maximum Number of Blocks That Can Be Connected

Basic Blocks can be connected using Bus Line Connectors.

Increasing Output Capacity

Models	Number of Blocks	N+1 Redundant System
S8TS-06024□	4 Blocks	Yes, 5 Blocks
S8TS-03012□	4 Blocks	Yes, 5 Blocks
S8TS-02505□	No	No

N+1 Redundant Systems

To ensure stable operation when there is a failure in one of the Blocks, use within the derating curve for N+1 redundant systems.

Multi-output Power Supply

Up to 4 Basic Blocks with different output voltage specifications can be linked.

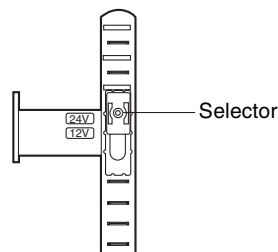
Selecting Bus Line Connectors

Select Bus Line Connectors according to the connecting method as follows:

- Using parallel operation:

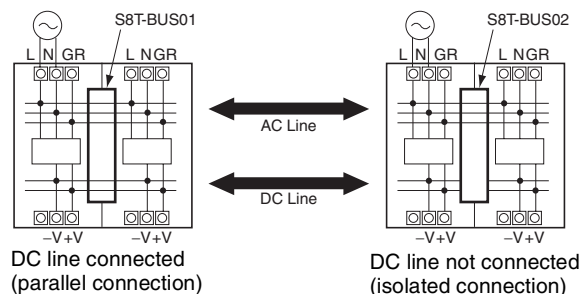
S8T-BUS01 (DC line connected)

The S8T-BUS01 Bus Line Connector is equipped with a selector to prevent erroneous connection of Blocks with different output voltage specifications. Slide the selector to the output voltage for parallel operation.



- Not using parallel operation:

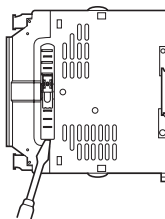
S8T-BUS02 (DC line not connected)



Mounting and Removing Bus Line Connectors

Pay attention to the following points to maintain electrical characteristics.

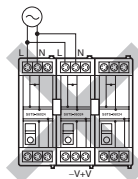
- Do not insert/remove the Connectors more than 20 times.
- Do not touch the Connector terminals.
- To remove the Connectors, insert a flat-bladed screwdriver alternately at both ends.



Wiring Connected Blocks

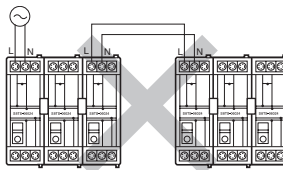
When connecting Blocks together, wire input lines to one Block only, otherwise inputs may be shorted internally resulting in damage to the Block.

Note: Do not wire inputs to more than one Block.



Do not cross-wire Blocks or wire between a Block and another device. If the rated current is exceeded, Bus Line Connectors may be damaged.

Note: Do not use cross-wire Blocks.



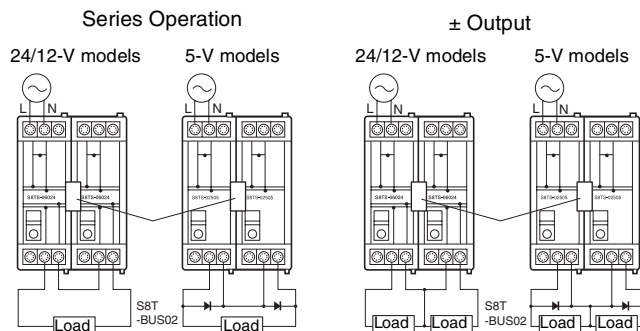
When Basic Blocks are connected together, it is necessary to wire the GR terminal of only one Block, not all the Blocks.

Series Operation and \pm Output

Using 2 Basic Blocks enables series operation and the use of \pm output. An external diode is not required for S8TS-06024□ and S8TS-03012□ models but is required for S8TS-02505□ models. Use the following as a rough guide for selecting the diode.

Type	Schottky barrier diode
Withstand voltage (V_{RRM})	At least twice the rated output voltage
Current with normal direction (I_F)	At least twice the rated output current

Note: Series operation is possible with different specifications, but the current that flows to the load must not exceed the rated output current of any Block.



Adjusting Output Voltage for Parallel Operation

The Blocks are factory-set to the rated output voltage. When adjusting voltages, set the same values for Blocks with V.ADJ before linking them together. Adjust the set values within the limits given in the following table.

Model number	Difference between output voltages
S8TS-06024□	0.24 V max.
S8TS-03012□	0.12 V max.

Do not adjust voltages after Blocks are linked together. The output voltage may become unstable.

Inrush Current

The inrush current per Basic Block is 25 A max. at 100 VAC and 50 A max. at 200 VAC. When N Blocks are linked together, the inrush current will be equal to N times that for 1 Basic Block. Be sure to use a fuse with the appropriate fusing characteristics or a breaker with the appropriate tripping characteristics.

Leakage Current

The leakage current per Basic Block is 0.35 mA at 100 VAC and 0.7 mA at 240 VAC. When N Blocks are linked together, the leakage current will be equal to N times that for 1 Basic Block.

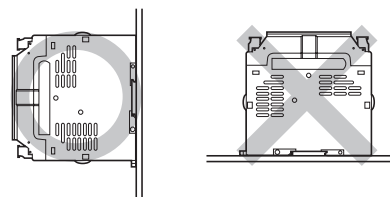
Mounting

Mounting Direction

Standard mounting	Yes
Face-up mounting	No
Other mounting methods	No

Use standard mounting only. Using any other mounting method will prevent proper heat dissipation and may result in deterioration or damage of internal elements.

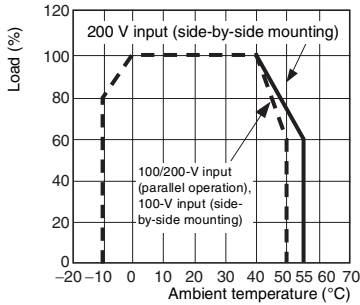
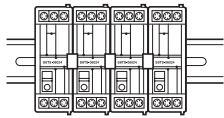
Standard mounting Face-up mounting



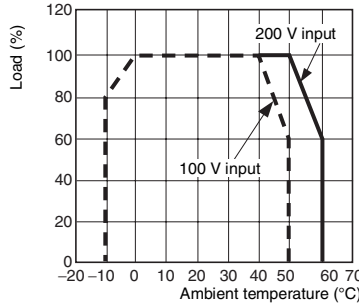
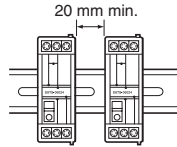
Engineering Data

Derating Curves

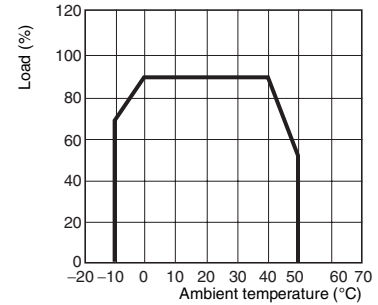
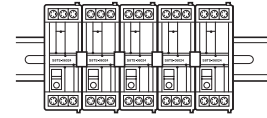
Parallel Operation and Side-by-side Mounting



Single Operation with Spaces between Blocks



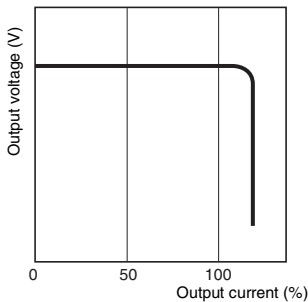
N+1 Redundant System



Note: If there is a derating problem, use forced air-cooling. The ambient temperature is specified for a point 50 mm below the power supply.

Overload Protection

The Power Supply is provided with an overload protection function that protects the load and the power supply from possible damage by overcurrent. When the output current rises above 105% min. of the rated current (100% min. of the rated current for parallel operation), the protection function is triggered, decreasing the output voltage. When the output current falls within the rated range, the overload protection function is automatically cleared.

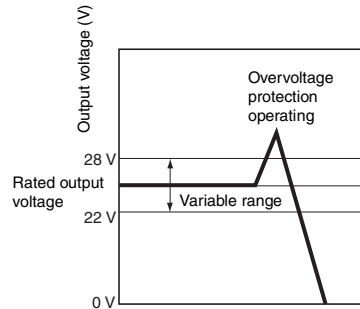


Note: Do not allow the short-circuited or overcurrent state to continue for more than 20 s, otherwise it may damage the element.

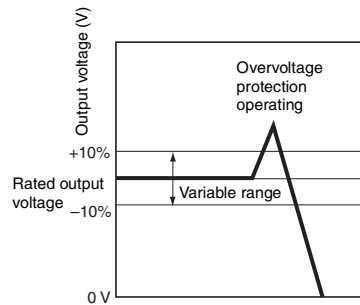
Overvoltage Protection

The Power Supply is provided with an overvoltage protection function that protects the load and the Power Supply from possible damage by overvoltage. When an excessive voltage is output, the output voltage is shut OFF. Reset the Power Supply by turning it OFF for at least 1 minute and then turning it back ON again.

24-V Models

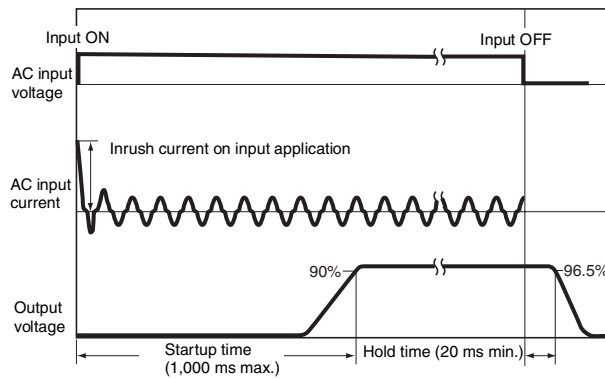


12-V and 5-V Models



Note: Do not turn ON the power again until the cause of the overvoltage has been removed.

Inrush Current, Startup Time, Hold Time



Undervoltage Indicator and Undervoltage Detection Output

When a drop in the output voltage is detected, the red indicator (DC LOW) lights and transistor (DC LOW: OUT) output turns ON. The detection voltage is set to approximately 80% (75% to 90%) of the rated output voltage.

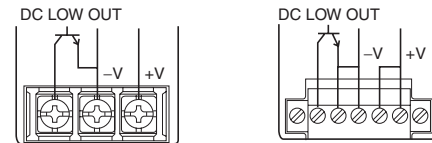
This function monitors the voltage at the output terminals. For accurate confirmation of the output status, measure the voltage at the output terminal.

Status of indicator	Voltage status	Output status (See note 1.)
Green: DC ON Red: DC LOW	Higher than approx. 80% of the rated output voltage	ON
Green: DC ON (See note 2.) Red: DC LOW	Less than approx. 80% of the rated output voltage	OFF
Green: DC ON Red: DC LOW	Close to 0 V	OFF

- Note: 1.** Transistor output: Open collector
30 VDC max., 50 mA max.
ON residual voltage: 2 V max.
OFF leakage current: 0.1 mA max.
- 2.** The indicators become dimmer as the output voltage approaches 0 V.

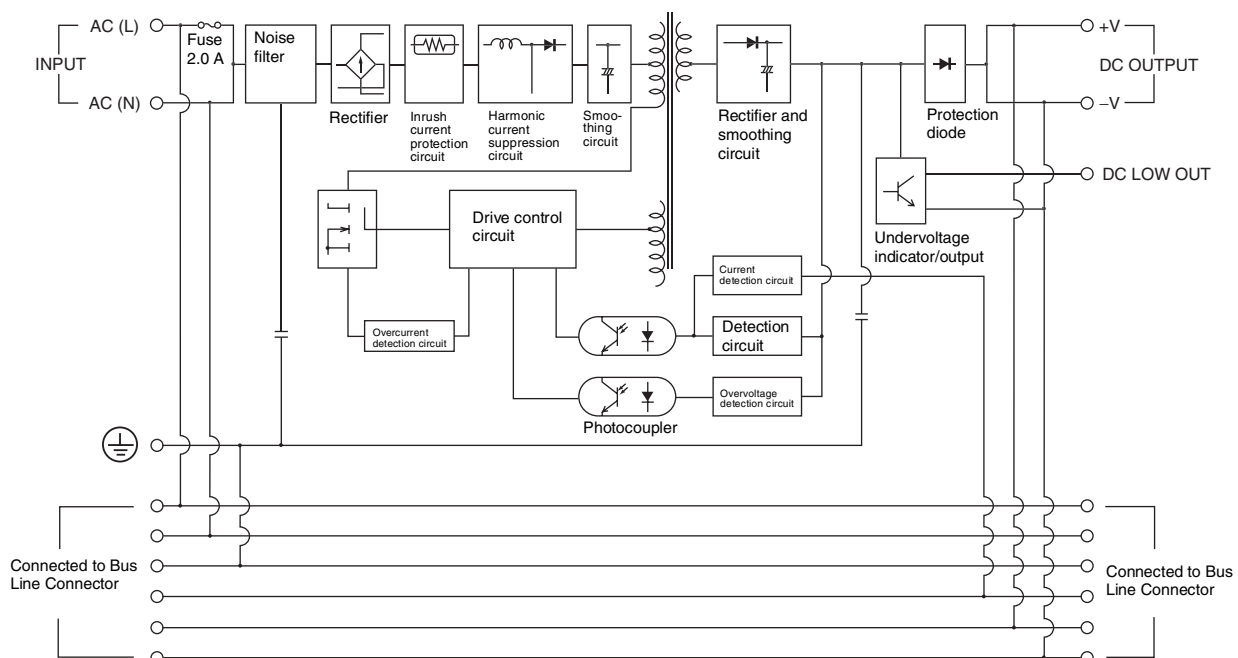
Undervoltage Output

Blocks with Screw Terminals Blocks with Connector Terminals

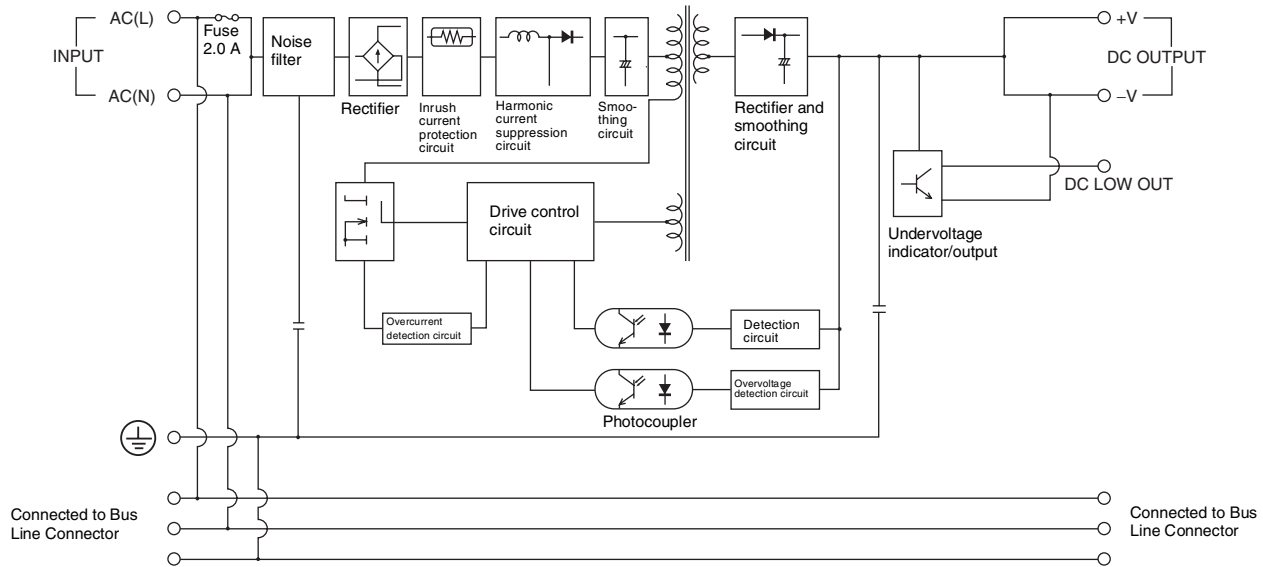


Block Diagrams

S8TS-06024 and S8TS-03012



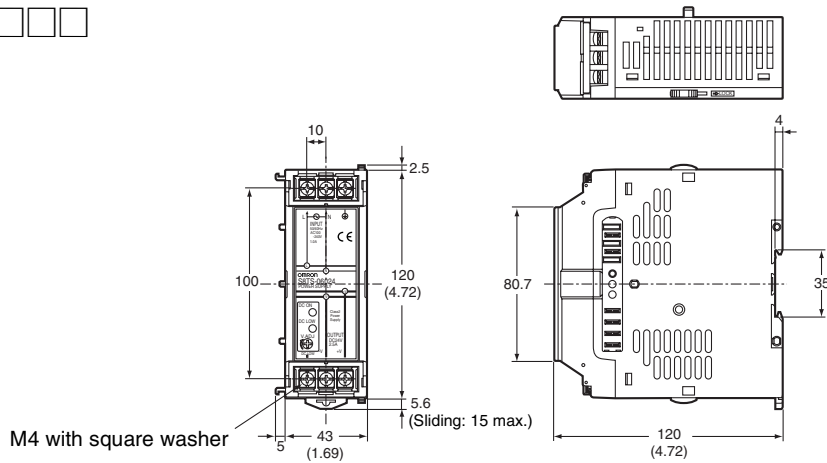
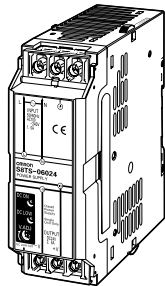
■ S8TS-02505 □



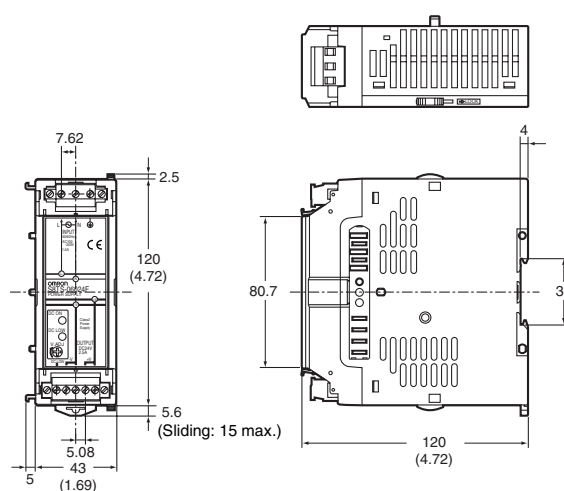
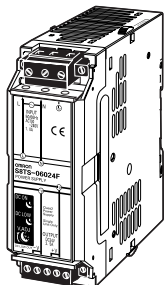
Dimensions

Unit: mm (inch)

■ S8TS-□□□□□



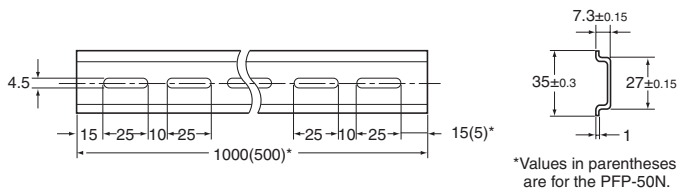
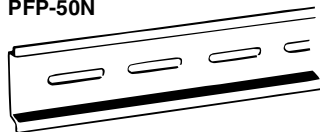
■ S8TS-□□□□□F



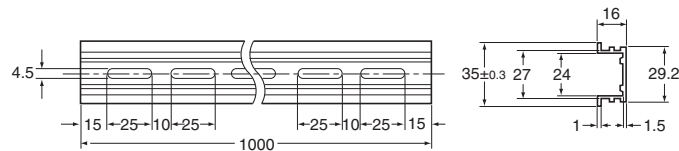
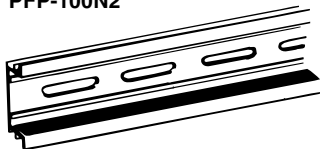
■ Accessories

DIN Track

PFP-100N
PFP-50N

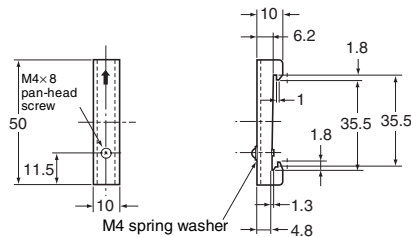


PFP-100N2



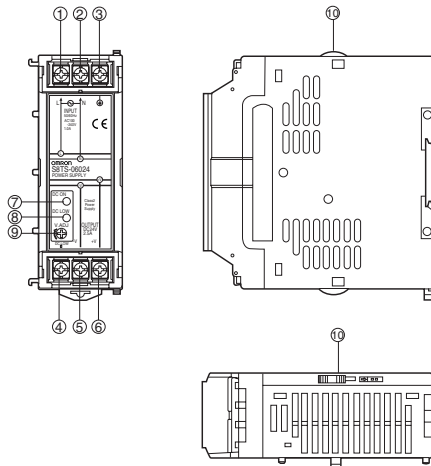
End Plate

PFP-M

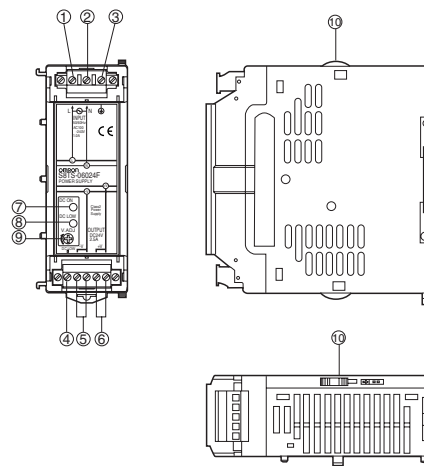


Installation

■ Screw Terminal Type: S8TS-□□□□□



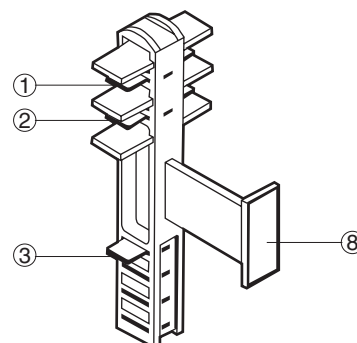
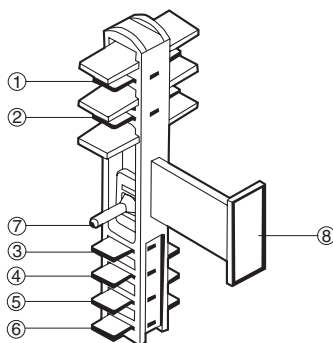
■ Connector Terminal Type: S8TS-□□□□□F



- A **AC Input Terminal (L)**: Connect an input line to this terminal.
- B **AC Input Terminal (N)**: Connect an input line to this terminal.
- C **Ground Terminal (⊖)**: Connect a ground line to this terminal.
- D **Undervoltage Detection Output (DC LOW OUT)**: Open Collector output
- E **DC Output Terminal (-V)**: Connect load lines to this terminal.
- F **DC Output Terminal (+V)**: Connect load lines to this terminal.
- G **Output Indicator (DC ON: Green)**: Lights while DC output is ON.
- H **Undervoltage Indicator (DC LOW: Red)**: Lights when the voltage at the output terminal drops.
- I **Output Voltage Adjuster (V.ADJ)**: Use to adjust the voltage.
- J **Lock**: Slide to the lock side when connecting. Unlock the slider when disconnecting.

■ S8T-BUS01 Bus Line Connector (AC Line + DC Line Bus)

■ S8T-BUS02 Bus Line Connector (AC Line Bus)



- A AC Input Terminal (L)
- B AC Input Terminal (N)
- C Ground Terminal (⊖)
- D Parallel Operation Signal Terminal
- E DC Output Terminal (+V)
- F DC Output Terminal (-V)
- G Selector
- H Projected Indicator Section

Precautions

⚠ WARNING

Do not attempt to take any Block apart or touch the interior of a Block while the power is being supplied. Doing so may result in electric shock.

Do not connect or separate any Blocks while the power is being supplied. Doing so may result in electric shock.

Do not remove the connector cover on unused Bus Line Connectors. Doing so may result in electric shock.

Close the terminal covers before use. Not doing so may result in electric shock.

⚠ Caution

When connecting Blocks, lock the sliders and track stoppers.

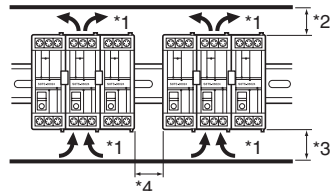
When connecting Blocks, wire the input line for 1 Block only. Otherwise, inputs may be shorted internally resulting in damage to the Blocks.

The tightening torque for terminal screws is 1.08 N·m. The tightening torque for connector screws and screw flanges is 0.30 N·m. Loose screws may result in fire.

Do not touch the Power Supply while power is supplied or immediately after power is turned OFF. The Power Supply becomes hot and touching it may result in injury.

■ Mounting

To improve the long-term reliability of devices, give due consideration to heat dissipation when mounting. With the S8TS, heat is dissipated by natural convection. Mount Blocks in a way that allows convection in the atmosphere around them.



- *1. Convection of air
- *2. 75 mm min.
- *3. 75 mm min.
- *4. 10 mm min.

When cutting out holes for mounting, make sure that cuttings do not enter the interior of the products.

■ Wiring

Be sure to wire I/O terminals correctly. When tightening the terminals, do not exert a force of 100 N or more on terminal blocks or connector terminals.

With Blocks with connector terminals, the current for 1 terminal must not exceed 7.5 A. If a higher current is required, use 2 terminals.

Recommended Wire Size for Single Operation

Model	Recommended wire size
S8TS-06024-E1 S8TS-03012-E1	AWG 14 to 20 (cross-sectional area: 0.517 to 2.081 mm ²)
S8TS-02505	AWG 14 to 18 (cross-sectional area: 0.823 to 2.081 mm ²)
S8TS-06024F-E1 S8TS-03012F-E1	AWG 12 to 20 (cross-sectional area: 0.517 to 3.309 mm ²)
S8TS-02505F	AWG 12 to 18 (cross-sectional area: 0.823 to 3.309 mm ²)

Recommended Wire Size for Parallel Operation

Model	Recommended wire size	
S8TS-06024-E1 S8TS-03012-E1	For 2 Units connected in parallel	AWG 14 to 18 (cross-sectional area: 0.823 to 2.081 mm ²)
	For 3 Units connected in parallel	AWG 14 to 16 (cross-sectional area: 1.309 to 2.081 mm ²)
	For 4 Units connected in parallel	AWG 14 (cross-sectional area: 2.081 mm ²)
S8TS-06024F-E1 S8TS-03012F-E1	For 2 Units connected in parallel	AWG 12 to 18 (cross-sectional area: 0.823 to 3.309 mm ²)
	For 3 Units connected in parallel	AWG 12 to 16 (cross-sectional area: 1.309 to 3.309 mm ²)
	For 4 Units connected in parallel	AWG 12 to 14 (cross-sectional area: 2.081 to 3.309 mm ²)

■ Blocks with Connector Terminals

- When using Blocks with connector terminals, the current for 1 terminal must not exceed 7.5 A. If a higher current is required, use 2 terminals.
- Do not insert/remove AC input connectors or DC output connector more than 20 times.

■ Installation Environment

Do not use the Power Supply in locations subject to shocks or vibrations. Be sure to mount End Plates (PFP-M) on both ends of the Power Supply. Install the Power Supply well away from any sources of strong, high-frequency noise.

■ Operating and Storage Environments

Do not use or store the Power Supply in the following locations. Doing so may result in failure, malfunction, or deterioration of performance characteristics.

- Do not use in locations subject to direct sunlight.
- Do not use in locations where the ambient temperature exceeds the range of the derating curve.
- Do not use in locations where the humidity is outside the range 25% to 85%, or locations subject to condensation due to sudden temperature changes.
- Do not store in locations where the ambient temperature is outside the range -25 to 65°C or where the humidity is outside the range 25% to 95%.
- Do not use in locations where liquids, foreign matter, corrosive gases, or flammable gases may enter the interior of products.

■ Charging Batteries

If a battery is connected as the load, provide an overcurrent control circuit and an overvoltage protective circuit.

■ Output Voltage Adjuster (V.ADJ)

Do not exert excessive force on the output voltage adjuster (V.ADJ). Doing so may break the adjuster.

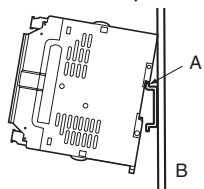
Setting the adjuster to a setting less than 10% may cause the under-voltage detection function to operate.

■ Bus Line Connectors

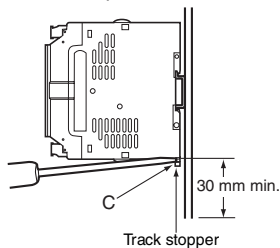
Do not apply sudden shocks (e.g., by dropping) to the Bus Line Connectors. Doing so may result in damage.

■ DIN Track Mounting

To mount the Block on a DIN track, hook portion (A) of the Block onto the track and press the Block in direction (B).



To dismount the Block, pull down portion (C) with a flat-blade screwdriver and pull out the Block.



■ No Output Voltage

If there is no output voltage, it is possible that overcurrent protection or overvoltage protection is operating. It is also possible that the latch protection circuit is operating due to the application of a large surge, such as lightning surge. Confirm the 2 points below. If there is still no output voltage, consult your OMRON representative.

- **Checking for Overcurrent Protection:**
Separate the load line and confirm that it is not in an overcurrent state (including short-circuits).
- **Checking for Overvoltage Protection or Latch Protection:**
Turn the input power supply OFF, and then turn it ON again after 1 minute or more has elapsed.

Certain Terms and Conditions of Sale

1. **Offer; Acceptance.** These terms and conditions (these "Terms") are deemed part of all catalogs, manuals or other documents, whether electronic or in writing, relating to the sale of goods or services (collectively, the "Goods") by Omron Electronics LLC and its subsidiary companies ("Seller"). Seller hereby objects to any terms or conditions proposed in Buyer's purchase order or other documents which are inconsistent with, or in addition to, these Terms. Please contact your Omron representative to confirm any additional terms for sales from your Omron company.
2. **Prices.** All prices stated are current, subject to change without notice by Seller. Buyer agrees to pay the price in effect at time of shipment.
3. **Discounts.** Cash discounts, if any, will apply only on the net amount of invoices sent to Buyer after deducting transportation charges, taxes and duties, and will be allowed only if (i) the invoice is paid according to Seller's payment terms and (ii) Buyer has no past due amounts owing to Seller.
4. **Orders.** Seller will accept no order less than \$200 net billing.
5. **Governmental Approvals.** Buyer shall be responsible for, and shall bear all costs involved in, obtaining any government approvals required for the importation or sale of the Goods.
6. **Taxes.** All taxes, duties and other governmental charges (other than general real property and income taxes), including any interest or penalties thereon, imposed directly or indirectly on Seller or required to be collected directly or indirectly by Seller for the manufacture, production, sale, delivery, importation, consumption or use of the Goods sold hereunder (including customs duties and sales, excise, use, turnover and license taxes) shall be charged to and remitted by Buyer to Seller.
7. **Financial.** If the financial position of Buyer at any time becomes unsatisfactory to Seller, Seller reserves the right to stop shipments or require satisfactory security or payment in advance. If Buyer fails to make payment or otherwise comply with these Terms or any related agreement, Seller may (without liability and in addition to other remedies) cancel any unshipped portion of Goods sold hereunder and stop any Goods in transit until Buyer pays all amounts, including amounts payable hereunder, whether or not then due, which are owing to it by Buyer. Buyer shall in any event remain liable for all unpaid accounts.
8. **Cancellation; Etc.** Orders are not subject to rescheduling or cancellation unless Buyer indemnifies Seller fully against all costs or expenses arising in connection therewith.
9. **Force Majeure.** Seller shall not be liable for any delay or failure in delivery resulting from causes beyond its control, including earthquakes, fires, floods, strikes or other labor disputes, shortage of labor or materials, accidents to machinery, acts of sabotage, riots, delay in or lack of transportation or the requirements of any government authority.
10. **Shipping; Delivery.** Unless otherwise expressly agreed in writing by Seller:
 - a. Shipments shall be by a carrier selected by Seller;
 - b. Such carrier shall act as the agent of Buyer and delivery to such carrier shall constitute delivery to Buyer;
 - c. All sales and shipments of Goods shall be FOB shipping point (unless otherwise stated in writing by Seller), at which point title to and all risk of loss of the Goods shall pass from Seller to Buyer, provided that Seller shall retain a security interest in the Goods until the full purchase price is paid by Buyer;
 - d. Delivery and shipping dates are estimates only.
 - e. Seller will package Goods as it deems proper for protection against normal handling and extra charges apply to special conditions.
11. **Claims.** Any claim by Buyer against Seller for shortage or damage to the Goods occurring before delivery to the carrier must be presented in writing to Seller within 30 days of receipt of shipment and include the original transportation bill signed by the carrier noting that the carrier received the Goods from Seller in the condition claimed.
12. **Warranties.** (a) **Exclusive Warranty.** Seller's exclusive warranty is that the Goods will be free from defects in materials and workmanship for a period of twelve months from the date of sale by Seller (or such other period expressed in writing by Seller). Seller disclaims all other warranties, express or implied. (b) **Limitations.** SELLER MAKES NO WARRANTY OR REPRESENTATION, EXPRESS OR IMPLIED, ABOUT NON-INFRINGEMENT, MERCHANTABILITY OR FITNESS FOR A PARTICULAR PURPOSE OF THE GOODS. BUYER ACKNOWLEDGES THAT IT ALONE HAS DETERMINED THAT THE GOODS WILL SUITABLY MEET THE REQUIREMENTS OF THEIR INTENDED USE. Seller further disclaims all warranties and responsibility of any type for claims or expenses based on infringement by the Goods or otherwise of any intellectual property right. (c) **Buyer Remedy.** Seller's sole obligation hereunder shall be to replace (in the form originally shipped with Buyer responsible for labor charges for removal or replacement thereof) the non-complying Good or, at Seller's election, to repay or credit Buyer an amount equal to the purchase price of the Good; provided that in no event shall Seller be responsible for warranty, repair, indemnity or any other claims or expenses regarding the Goods unless Seller's analysis confirms that the Goods were properly handled, stored, installed and maintained and not subject to contamination, abuse, misuse or inappropriate modification. Return of any goods by Buyer must be approved in writing by Seller before shipment. Seller shall not be liable for the suitability or unsuitability or the results from the use of Goods in combination with any electrical or electronic components, circuits, system assemblies or any other materials or substances or environments. Any advice, recommendations or information given orally or in writing, are not to be construed as an amendment or addition to the above warranty. (d) **Damage Limits; Etc.** SELLER SHALL NOT BE LIABLE FOR SPECIAL, INDIRECT OR CONSEQUENTIAL DAMAGES, LOSS OF PROFITS OR PRODUCTION OR COMMERCIAL LOSS IN ANY WAY CONNECTED WITH THE GOODS, WHETHER SUCH CLAIM IS BASED IN CONTRACT, WARRANTY, NEGLIGENCE OR STRICT LIABILITY. Further, in no event shall liability of Seller exceed the individual price of the Good on which liability is asserted. (e) **Indemnities.** Buyer shall indemnify and hold harmless Seller, its affiliates and its employees from and against all liabilities, losses, claims, costs and expenses (including attorney's fees and expenses) related to any claim, investigation, litigation or proceeding (whether or not Seller is a party) which arises or is alleged to arise from Buyer's acts or omissions under these Terms or in any way with respect to the Goods. Without limiting the foregoing, Buyer (at its own expense) shall indemnify and hold harmless Seller and defend or settle any action brought against Seller to the extent that it is based on a claim that any Good made to Buyer specifications infringed intellectual property rights of another party. (f) **Property; Confidentiality.** The intellectual property embodied in the Goods is the exclusive property of Seller and its affiliates and Buyer shall not attempt to duplicate it in any way without the written permission of Seller. Notwithstanding any charges to Buyer for engineering or tooling, all engineering and tooling shall remain the exclusive property of Seller. All information and materials supplied by Seller to Buyer relating to the Goods are confidential and proprietary, and Buyer shall limit distribution thereof to its trusted employees and strictly prevent disclosure to any third party. (g) **Miscellaneous.** (a) **Waiver.** No failure or delay by Seller in exercising any right and no course of dealing between Buyer and Seller shall operate as a waiver of rights by Seller. (b) **Assignment.** Buyer may not assign its rights hereunder without Seller's written consent. (c) **Amendment.** These Terms constitute the entire agreement between Buyer and Seller relating to the Goods, and no provision may be changed or waived unless in writing signed by the parties. (d) **Severability.** If any provision hereof is rendered ineffective or invalid, such provision shall not invalidate any other provision. (e) **Setoff.** Buyer shall have no right to set off any amounts against the amount owing in respect of this invoice. (f) As used herein, "including" means "including without limitation".

Certain Precautions on Specifications and Use

1. **Suitability of Use.** Seller shall not be responsible for conformity with any standards, codes or regulations which apply to the combination of the Good in the Buyer's application or use of the Good. At Buyer's request, Seller will provide applicable third party certification documents identifying ratings and limitations of use which apply to the Good. This information by itself is not sufficient for a complete determination of the suitability of the Good in combination with the end product, machine, system, or other application or use. The following are some examples of applications for which particular attention must be given. This is not intended to be an exhaustive list of all possible uses of this Good, nor is it intended to imply that the uses listed may be suitable for this Good:
 - (i) Outdoor use, uses involving potential chemical contamination or electrical interference, or conditions or uses not described in this document.
 - (ii) Energy control systems, combustion systems, railroad systems, aviation systems, medical equipment, amusement machines, vehicles, safety equipment, and installations subject to separate industry or government regulations.
 - (iii) Systems, machines and equipment that could present a risk to life or property. Please know and observe all prohibitions of use applicable to this Good.
2. **Programmable Products.** Seller shall not be responsible for the user's programming of a programmable Good, or any consequence thereof.
3. **Performance Data.** Performance data given in this catalog is provided as a guide for the user in determining suitability and does not constitute a warranty. It may represent the result of Seller's test conditions, and the user must correlate it to actual application requirements. Actual performance is subject to the Seller's Warranty and Limitations of Liability.
4. **Change in Specifications.** Product specifications and accessories may be changed at any time based on improvements and other reasons. It is our practice to change part numbers when published ratings or features are changed or when significant construction changes are made. However, some specifications of the Good may be changed without any notice. When in doubt, specific part numbers may be assigned to fix or establish key specifications for your application. Please consult with your Seller's representative at any time to confirm actual specifications of purchased Good.
5. **Errors and Omissions.** The information in this catalog has been carefully checked and is believed to be accurate; however, no responsibility is assumed for clerical, typographical or proofreading errors, or omissions.

NEVER USE THE PRODUCT FOR AN APPLICATION INVOLVING SERIOUS RISK TO LIFE OR PROPERTY WITHOUT ENSURING THAT THE SYSTEM AS A WHOLE HAS BEEN DESIGNED TO ADDRESS THE RISKS, AND THAT THE SELLER'S PRODUCT IS PROPERLY RATED AND INSTALLED FOR THE INTENDED USE WITHIN THE OVERALL EQUIPMENT OR SYSTEM.

Complete "Terms and Conditions of Sale" for product purchase and use are on Omron's website at www.omron.com/oei – under the "About Us" tab, in the Legal Matters section.

ALL DIMENSIONS SHOWN ARE IN MILLIMETERS.

To convert millimeters into inches, multiply by 0.03937. To convert grams into ounces, multiply by 0.03527.



OMRON ELECTRONICS LLC

One Commerce Drive
Schaumburg, IL 60173

847-843-7900

For US technical support or other inquiries:

800-556-6766

OMRON CANADA, INC.

885 Milner Avenue
Toronto, Ontario M1B 5V8

416-286-6465

OMRON ON-LINE

Global - <http://www.omron.com>
USA - <http://www.omron.com/oei>
Canada - <http://www.omron.ca>