

Eco-Rail Power supply 1-phase, primary switched IN: 90-264VAC OUT: 24V/2,5ADC

Input voltage: 90...264 V AC

Output: 24 V DC

Current: 2.5 A

Image

- stable output voltage, short-circuit and overload protected
- Wide voltage input
- touch protected (EN 60529) IP20

Approvals**Input**

Input voltage	90...264 V AC
Input current	1.1 A (115 V AC); 0.6 A (230 V AC)
Inrush current after 1 ms	<= 20 A
Primary fusing	max. 20 A
Frequency	50/60 Hz

Output

Output voltage	24 V DC (SELV), $\pm 1\%$
Nominal output current	2.5 A (+40 °C); 2.0 A (+55 °C)
Efficiency	85 % (115 V AC); 87 % (230 V AC)
Mains failure bridging	>= 20 ms (115 V AC); >= 100 ms (230 V AC)
Ripple	<= 20 mV eff
Spikes	<= 100 mV ss
Protection	Short-circuit and overload protected
LED display	LED (green) for output voltage
Parallel usage/serial usage	no/yes (max. 2 units)

General data

Standards	(EN 60950-1), (EN 61204-3), (EN 55022 B), (EN 61000-3-2)
Mounting method	DIN-rail mountable TH35 (EN 60715)
Relative humidity	20...90 %, no condensation
Temperature range	0...+40 °C, to +55 °C derating (storage temperature -20...+85 °C)
Dimensions H x W x D	125 x 50 x 80 mm

Commercial data

Gross weight	490
Net weight	490
Weight unit	gram
Basic unit	pc.
Customs tariff number	85044081
Unit (piece)	1
Limited value	1

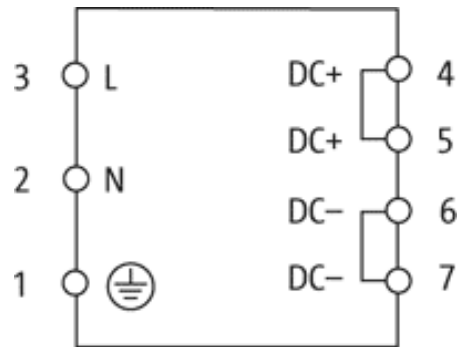
Comments

Eco-Rail primary switch mode power supplies meet the (EN 61000-3-2) standard for harmonic current

All data on this data sheet was compiled carefully.

Liability regarding correctness, completeness, and actuality is limited to gross negligence. Created: 08/10

Circuit diagram



Dimension drawing

