

MCS-B Power supply 1-phase, primary switched IN: 100-265VAC OUT: 24V/10ADC

INPUT: 100...265 V AC
 OUTPUT: 24 V DC +3/-1%
 Current: 10 A

Image

- stable output voltage, (short-circuit and overload protected)
- Wide voltage input
- Protection IP20

Vicarious picture

Input

Input voltage	100...265 V AC
Input current	3.4 A (115 V AC); 2.2 A (230 V AC)
Inrush current after 1 ms	max. 40 A
External fuse	max. 16 A
Frequency	50...60 Hz

Output

Output voltage	24 V DC (SELV), $\pm 1\%$; 22...28 V adjustable
Output current	10 A (+40 °C); 8 A (+55 °C)
Mains failure bridging time	min. 15 ms (115 V AC); min. 115 ms (230 V AC)
Ripple	max. 20 mV rms
Spikes	max. 100 mV p-p
Short-circuit and overload protection	yes
LED display	LED (green) for output voltage
Parallel usage/serial usage	max. 5 units/max. 2 units

General data

Standards	(EN 60950-1), (EN 61204-3), (EN 55011 A)
Relative humidity	5...95 %, no condensation
Efficiency	83 % (115 V AC); 85 % (230 V AC)
Temperature range	0...+40 °C, to +70 °C derating (storage temperature -25...+85 °C)
Mounting method	DIN-rail mountable TH35 (EN 60715)
Dimensions H x W x D	128 x 68 x 165 mm

Commercial data

Net weight	831
Weight unit	Gram
Basic unit	pc.
Customs tariff number	85044090
Unit (piece)	1
Minimum order quantity (piece)	1

Accessories

Accessory for MCS Plate for screw mounting

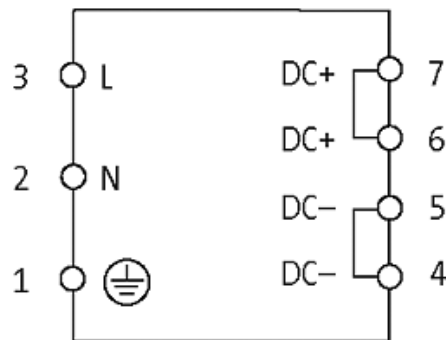
Art.-No.

89514

All data on this data sheet was compiled carefully.

Liability regarding correctness, completeness, and actuality is limited to gross negligence. Created: 05/14

Circuit diagram



Dimension drawing

