

MCS Power supply 3-phase, primary switched IN: 360-550VAC OUT: 24-28V/10ADC

INPUT: 3 × 360...550 V AC

OUTPUT: 24...28 V DC

Current: 10 A

Image

- 3-phase
- stable output voltage, (short-circuit and overload protected)
- Wide voltage input
- Protection IP20

Vicarious picture

Approvals**Input**

Input voltage	3 × 360...550 V AC
Input current	3 × 0.65 A
Inrush current after 1 ms	max. 15 A
External fuse	max. 3 × 2 A
Frequency	50/60 Hz

Output

Output voltage	24 V DC (SELV), ±1 %; 24...28 V adjustable
Output current	10 A (+60 °C); 12 A (+40 °C)
Mains failure bridging time	min. 11 ms (500 V AC)
Ripple	max. 20 mV rms
Short-circuit and overload protection	yes
Spikes	max. 100 mV p-p
LED display	LED (green) for output voltage
Selectable switch-off mode	front sided plug link (automatic re-start or definite shut-off)
Parallel usage/ serial usage	max. 5 units/max. 2 units

General data

Standards	(EN 60950-1), (EN 61204-3), (EN 55022 B)
Temperature range	0...+60 °C (storage temperature -25...+85 °C)
Efficiency	90 %
Relative humidity	5...95 %, no condensation
Mounting method	DIN-rail mountable TH35 (EN 60715)
Dimensions H × W × D × Da	127 x 68 x 178 x 20 mm

Commercial data

Net weight	1300
Weight unit	Gram
Basic unit	pc.
Customs tariff number	85044090
Unit (piece)	1
Minimum order quantity (piece)	1

All data on this data sheet was compiled carefully.

Liability regarding correctness, completeness, and actuality is limited to gross negligence. Created: 10/13

Functions

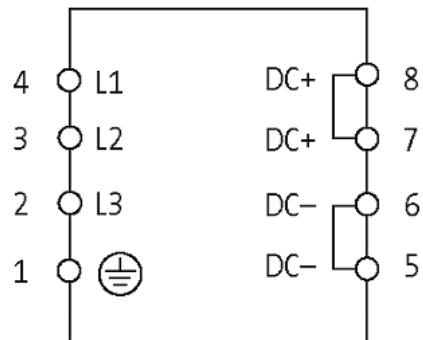
PFC

Accessories**Art.-No.**

Accessory for MCS Plate for screw mounting

89514

Circuit diagram



Dimension drawing

