

**MPS Power supply 3-phase, primary switched IN: 360-550VAC OUT: 22-28V / 40ADC**

INPUT: 3 × 360...550 V AC

OUTPUT: 22...28 V DC

Current: 40 A

**Image**

- Units decoupling through diode block at parallel usage.

- 3-phase, primary switched
- stable output voltage, short-circuit and overload protected
- Wide voltage input
- touch protected (EN 60529) IP20

**Approvals****Input**

Voltage range	3 × 360...550 V AC
Input current	3 × 1.7 A
Primary fusing	max. 10 A
Frequency	50/60 Hz

**Output**

Output voltage	24 V DC (SELV), ±1 %; 22...28 V adjustable
Output current	40 A (+60 °C); 48 A (+40 °C)
Efficiency	91 %
Mains failure bridging	>= 3 ms (400 V AC)
Ripple	<= 20 mV rms
Spikes	<= 100 mV p-p
Protection	short-circuit and overload protected, pre-warning and switching-off when overheated or overloaded, signaling over alarm output
Phase monitoring	Switching off during 2-phase operation
LED display	LED (green): in operation; LED (red): off; LED (yellow): pre-warning when overheated or overloaded
Parallel usage/serial usage	yes/yes

**General data**

Standards	(EN 60950-1), (EN 61204-3), (EN 55022 B)
Temperature range	0...+60 °C (storage temperature -25...+85 °C)
Mounting method	can be snapped on rail included
Relative humidity	30...90 %, no condensation
Dimensions H × W × D	193 x 282 x 132 mm

All data on this data sheet was compiled carefully.

Liability regarding correctness, completeness, and actuality is limited to gross negligence. Created: 07/11

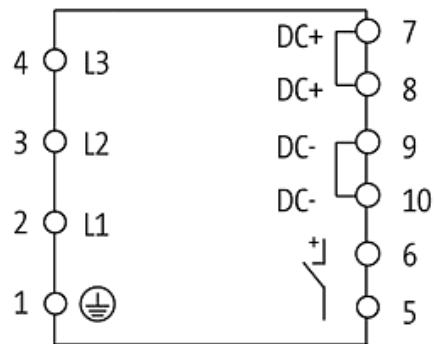
**Commercial data**

Gross weight	5500
Net weight	5500
Weight unit	gram
Basic unit	pc.
Customs tariff number	85044082
Unit (piece)	1
Limited value	1

**Comments**

This switch mode power supplies meet the (EN 61000-3-2) standard for harmonic current.

## Circuit diagram



## Dimension drawing

