

**MPS Power supply 3-phase, primary switched IN: 340-460VAC OUT: 22-28V/20ADC**

INPUT: 3 × 340...460 V AC

OUTPUT: 22...28 V DC

Current: 20 A

**Image**

- 3-phase
- stable output voltage, (short-circuit and overload protected)
- Protection IP20

Vicarious picture

**Input**

Input voltage	3 × 340...460 V AC
External fuse	max. 10 A
Frequency	50/60 Hz
Input current	3 × 0.84 A

**Output**

Output voltage	24 V DC (SELV), ±1 %; 22...28 V adjustable
Output current	20 A (+60 °C); 24 A (+40 °C)
Mains failure bridging time	min. 3 ms (400 V AC)
Ripple	max. 20 mV rms
Spikes	max. 100 mV p-p
Short-circuit and overload protection	yes
Phase monitoring	Switching off during 2-phase operation
LED display	LED (green): in operation; LED (red): off; LED (yellow): pre-warning when overheated or overloaded
Parallel usage/serial usage	yes/yes

**General data**

Standards	(EN 60950-1), (EN 61204-3), (EN 55022 B)
Temperature range	0...+60 °C (storage temperature -25...+85 °C)
Mounting method	DIN-rail mountable TH35 (EN 60715), additional plate for screw mounting Art.-No. 89500
Efficiency	90 %
Relative humidity	30...90 %, no condensation
Dimensions H × W × D	132 x 243 x 123 mm

**Commercial data**

Net weight	2400
Weight unit	Gram
Basic unit	pc.
Customs tariff number	85044090
Unit (piece)	1
Minimum order quantity (piece)	1

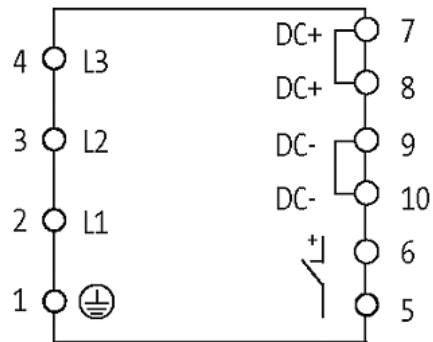
**Functions**

PFC	
Low interference emission	
Signal contact	

All data on this data sheet was compiled carefully.

Liability regarding correctness, completeness, and actuality is limited to gross negligence. Created: 12/13

## Circuit diagram



## Dimension drawing

