

**MPS Power supply 1-phase, primary switched IN: 185-265VAC OUT: 22-28V/10ADC**

INPUT: 185...265 V AC

OUTPUT: 22...28 V DC

Current: 10 A

**Image**

- Units decoupling through diode block at parallel usage.

- Single-phase, primary switched

- stable output voltage, (short-circuit and overload protected)

- Protection IP20

Vicarious picture

**Input**

Input voltage	185...265 V AC
External fuse	max. 10 A
Frequency	50/60 Hz
Input current	2.1 A

**Output**

Output voltage	24 V DC (SELV), $\pm 1\%$ ; 22...28 V adjustable
Output current	10 A (+60 °C); 12 A (+40 °C)
Mains failure bridging time	min. 10 ms (230 V AC)
Ripple	max. 20 mV rms
Spikes	max. 100 mV p-p
Short-circuit and overload protection	yes
LED display	LED (green): in operation; LED (red): off; LED (yellow): pre-warning when overheated or overloaded
Parallel usage/serial usage	yes/yes
Alarm output	electronic relay max. 60 V DC/0.2 A, group alarm for all failures and pre-warnings, reset via the green button

**General data**

Standards	(EN 60950-1), (EN 61204-3), (EN 55022 B)
Temperature range	0...+60 °C (storage temperature -25...+85 °C)
Mounting method	DIN-rail mountable TH35 (EN 60715), additional plate for screw mounting Art.-No. 89500
Efficiency	90 %
Relative humidity	5...95 %, no condensation
Dimensions H x W x D	132 x 198 x 97 mm

**Commercial data**

Net weight	2035
Weight unit	Gram
Basic unit	pc.
Customs tariff number	85044090
Unit (piece)	1
Minimum order quantity (piece)	1

**Functions**

Signal contact

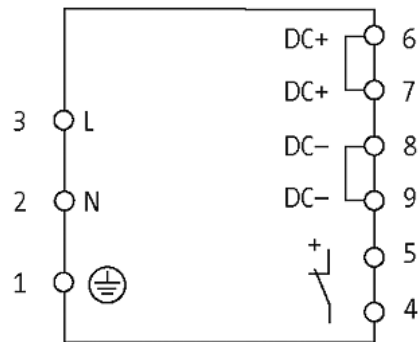
**Comments**

Units decoupling through diode block at parallel usage.

All data on this data sheet was compiled carefully.

Liability regarding correctness, completeness, and actuality is limited to gross negligence. Created: 12/13

## Circuit diagram



## Dimension drawing

