

**MCS Power supply 1-phase, primary switched IN: 90-265VAC OUT: 4-6V/6ADC**

INPUT: 90...265 V AC

OUTPUT: 4...6 V DC

Current: 6 A

**Image**

- stable output voltage, short-circuit and overload protected
- Wide voltage input
- touch protected (EN 60529) IP20

**Approvals****Input**

Voltage range	90...265 V AC; 110...300 V DC
Input current	0.5 A (115 V AC); 0.3 A (230 V AC)
Inrush current after 1 ms	<= 22 A
Primary fusing	max. 10 A
Frequency	50/60 Hz

**Output**

Output voltage	5 V DC (SELV), $\pm 1\%$ , 4...6 V adjustable
Output current	6 A (+60 °C); 7.5 A (+50 °C)
Efficiency	80 %
Mains failure bridging	>= 12 ms (115 V AC); >= 90 ms (230 V AC)
Ripple	<= 10 mV rms
Spikes	<= 50 mV p-p
Protection	Short-circuit and overload protected
LED display	LED (green) for output voltage
Parallel usage/serial usage	no/yes (max. 2 units)

**General data**

Standards	(EN 60950-1), (EN 61204-3), (EN 55022 B), (EN 61000-3-2)
Mounting method	DIN-rail mountable TH35 (EN 60715)
Relative humidity	5...95 %, no condensation
Temperature range	0...+60 °C (storage temperature -25...+85 °C)
Dimensions H x W x D	107.5 x 42 x 97.5 mm

**Commercial data**

Gross weight	500
Net weight	450
Weight unit	gram
Basic unit	pc.
Customs tariff number	85044082
Unit (piece)	1
Limited value	1

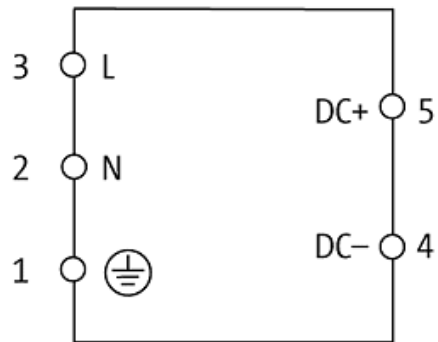
**Comments**

This switch mode power supplies meet the (EN 61000-3-2) standard for harmonic current.

All data on this data sheet was compiled carefully.

Liability regarding correctness, completeness, and actuality is limited to gross negligence. Created: 08/11

## Circuit diagram



## Dimension drawing

