

CLD-3612-T2-2555-ER series

36W Constant voltage desktop type AC/DC adaptor



■ Features:

- Universal AC input / Full range
- ErP step II / CEC level VI compliance
- No load power consumption $P < 0.1W$
- Protections: Overload / Short circuit / Over Voltage



ELECTRICAL SPECIFICATION

MODEL	CLD 3612 T2 2555 ER
-------	---------------------

OUTPUT

Rated Voltage	12V
Rated Current	3A
Current Range	0 ÷ 3A
Rated Power	36W
Line Regulation	± 1%
Load Regulation	± 2%
Tolerance [3]	± 8%
Ripple & Noise (max.) [2]	200mV _{p-p}
Setup, Rise Time [4]	1030ms, 46ms / 230VAC at full load
Hold up Time (typ.)	60ms / 230VAC at full load

INPUT

Voltage Range	90 ÷ 264VAC
Frequency Range	47 ÷ 63Hz
Efficiency (typ.)	84.6%
AC Current (typ.)	0.66A / 115VAC, 0.34A / 230VAC
No load Power Consumption (max.)	0.1W

PROTECTIONS

Overload	Range: 105-200%
	Type: hiccup mode, auto-recovery.
Short Circuit	Type: hiccup mode, auto-recovery.
Over Voltage	16V
	Type: hiccup mode, auto-recovery.

CLD-3612-T2-2555-ER series



36W Constant voltage desktop type AC/DC adaptor

WORKING ENVIRONMENT

Working Temperature	0°C ÷ 35°C
Working Humidity	5 ÷ 95% RH non-condensing
Storage Temperature and Humidity	-20°C ÷ 85°C, 5 ÷ 90% RH non-condensing

SAFETY and EMC REGULATIONS

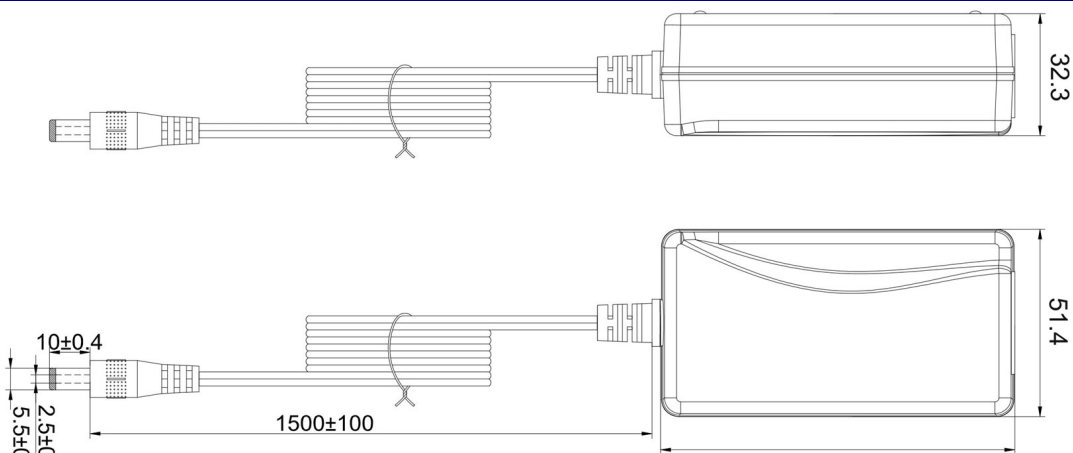
Safety Standards	Compliance to EN 60950-1
Withstand Voltage	IN/OUT: 3.6kVAC
Isolation Resistance	IN/OUT: 20MΩ/500VDC/25°C/70%
EMC Emission	Compliance to EN55032
EMC Immunity	Compliance to EN61000-4-2, -3, -4, -5
Harmonic Current	Compliance to EN61000-3-3; EN61000-3-2

OTHERS

AC Inlet	IEC320-C8	
DC wire and plug	Wire: 18AWG*2C, length = 1500mm	Plug: 2.5/5.5, positive inside
MTBF	60 000h	
Dimensions	96.2 x 51.4 x 32.3mm (L x W x H)	
Net Weight	170.1g	

1. All parameters NOT specially mentioned are measured at 230VAC input, rated load and 25°C of ambient temperature.
2. Ripple & noise are measured at 20MHz of bandwidth by using a 12" twisted pair-wire terminated with a 0.1μF i 47μF parallel capacitor.
3. Tolerance includes set up tolerance, line regulation and load regulation.
4. Setup and rise time is measured from 0 to 90% rated output voltage.
5. Power supply is considered as component not indented to apply by end-user. Power supply meets safety and EMC standards however the final equipment with power supply must be re-quality to comply with EMC Directives.

MECHANICAL SPECIFICATION



CLD-3612-T2-2555-ER series

36W Constant voltage desktop type AC/DC adaptor

