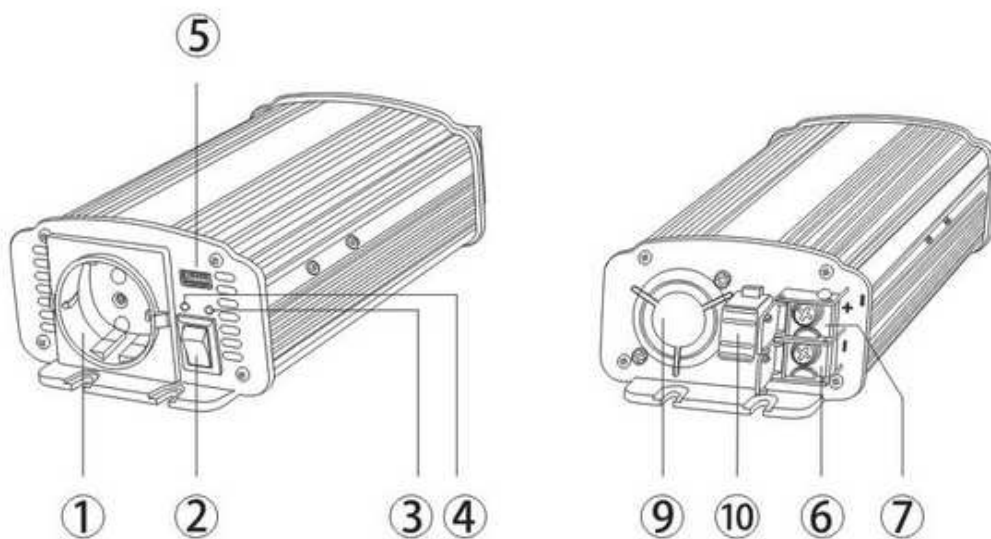


DC / AC INVERTER IPS-800U

12 VDC / 230 VAC 800W

	<p>Input voltage: 11÷15 VDC Output voltage : 230 VAC Maximum Power: 800VA Continuous Power: 400VA Output voltage type: MODIFIED SINE WAVE Soft start for inductive load: NO Overload protection : YES Short-current protection: YES Thermal protection : TAK Input overvoltage protection : 15 VDC Battery discharge warning: YES Operating temperature range: 0 ~ +40 °C Efficiency: > 85 % Cooling type: Active Connectors: Screw Connector M6 Output socket type: French x 1 Housing type: Aluminium IP protection: IP21 Dimensions LxBxH [mm]: 185x108x62 Weight: 0.65 Product code: 5905279203716</p>	
---	---	--

Technical details



- 1 - 230V output socket
- 2 - main switch
- 3 - LED indicator
- 4 - LED indicator
- 5 - USB charging port

- 6 - Input voltage socket 12V
- 7 - Input voltage socket 12V
- 9 - Fan
- 10 - Fuse

www.powerinverters.pl



PROGRAM REGIONALNY
 NARODOWA STRATEGIA SPÓJNOŚCI



Projekt współfinansowany przez Unię Europejską z Europejskiego Funduszu Rozwoju Regionalnego oraz z budżetu państwa.

