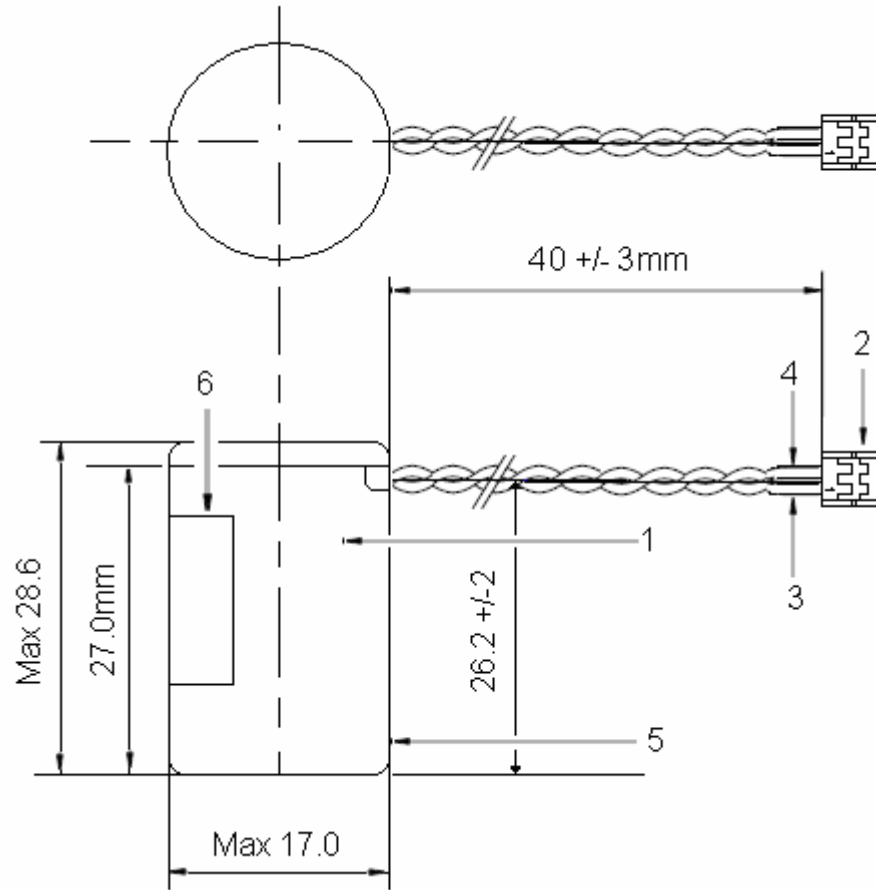


A M D E N	NO.	Date	Revision	Sign
	①			
	②			
	③			



Remarks

1. XL-050F(3.6V,1.2Ah, 1/2AA)
2. Connector: JST-PHR2
3. Red wire, 26AWG, On + terminal
4. Black wire, 26AWG, On - terminal
5. Case : Material Noryl
6. Sticker: Same as Noryl Sticker with 4 digit date code

Gen.Tol		Title <b>TME</b>				
Surface		<b>XL-050F/1S1P/Case</b>				
App.Model		<b>C&amp;W7/PHR-2</b>				
Projection		Size	Unit	File No	Date	Scale
Material		A4	mm		16/04/2010	
Drawing	Designed	Checked	Approved	<b>Part No. S11-0050-20-26</b>		



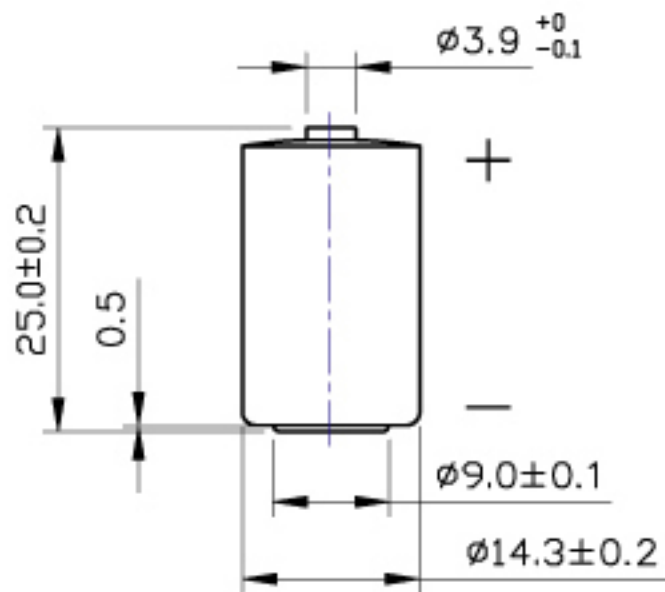
## SPECIFICATIONS

(Typical values for batteries stored at 20 °C for one year)

Nominal Capacity (At 1mA/20 °C/68 °F/2.0V Cut-Off)	1.2 Ah
Open Circuit Voltage (At 20 °C/68 °F)	3.67 V
Nominal Voltage (At 1mA/20 °C/68 °F)	3.6 V
Maximum Continuous Current	50 mA
Maximum Pulse Current Capability	100 mA
Operating Temperature Range	-55 ~ 85 °C
Weight	9.2 g (0.32 oz)
Anode Surface Area	6 cm <sup>2</sup>
Volume	4.3 cm <sup>3</sup>
Diameter (Max)	14.5 mm
Height (Max)	25.2 mm

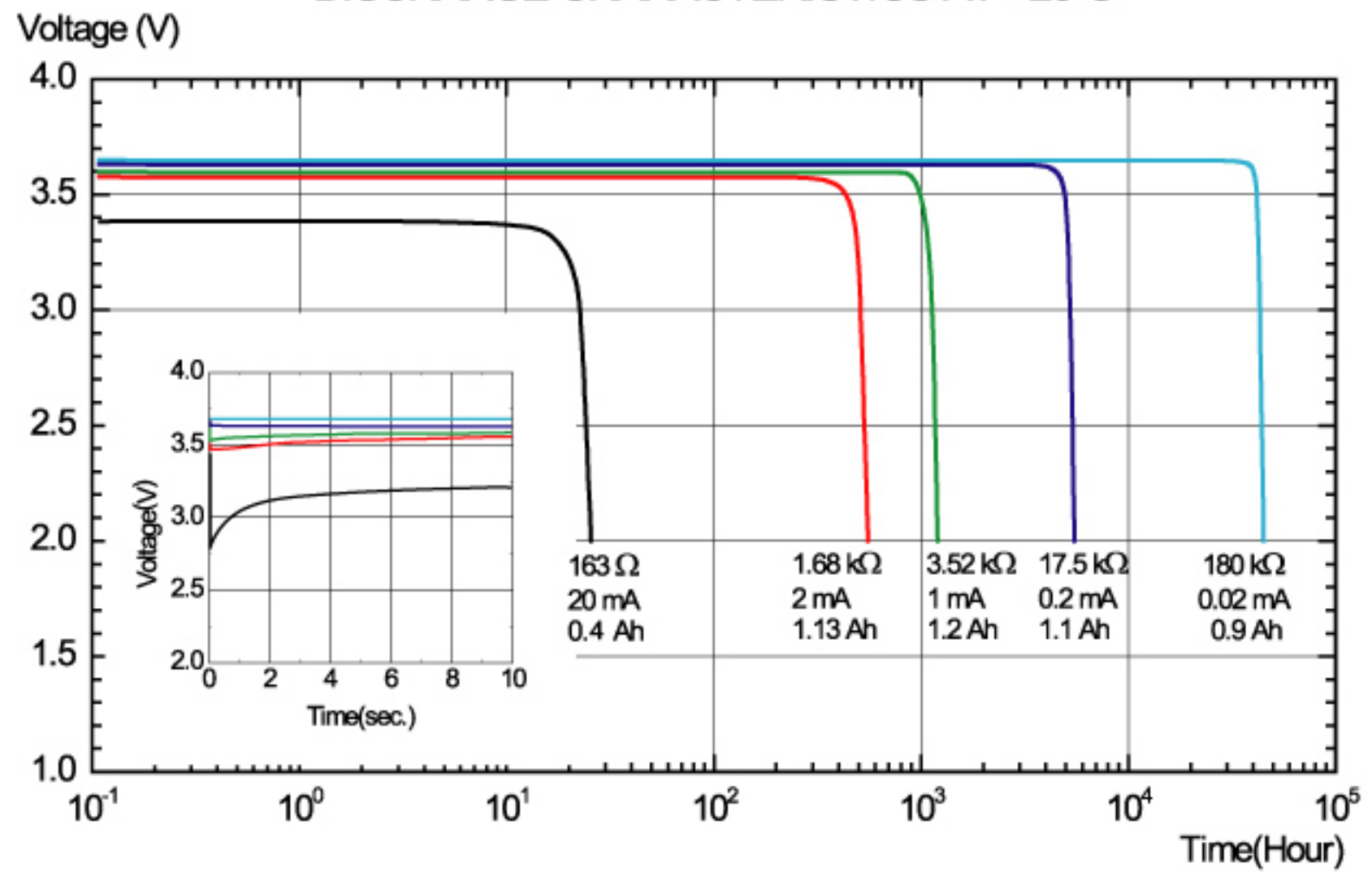


DIMENSIONS IN MM

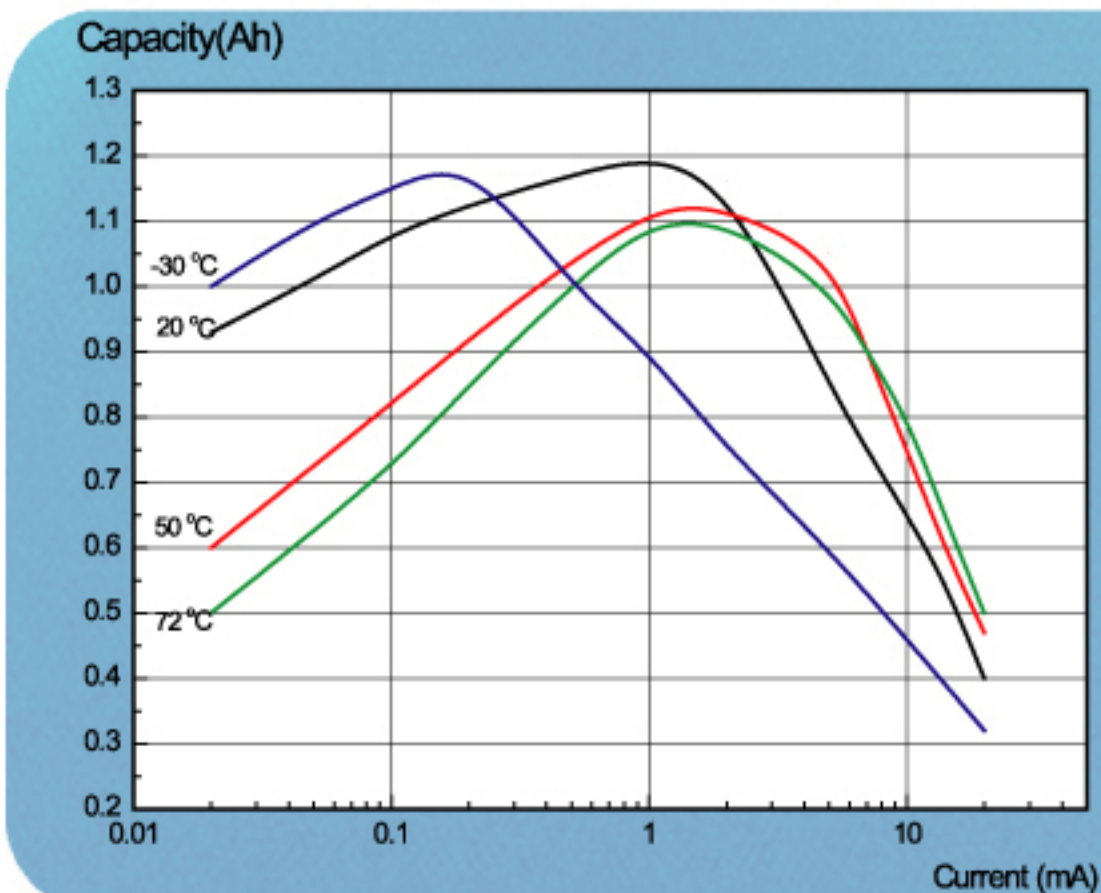


**WARNING**  
 Fire, Explosion And Severe Burn Hazard.  
 Do Not Recharge, Crush, Disassemble,  
 Heat Above 212°F(100°C), Incinerate  
 Or Expose Contents To Water

DISCHARGE CHARACTERISTICS AT +20°C



CAPACITY VS. CURRENT



OPERATING VOLTAGE

