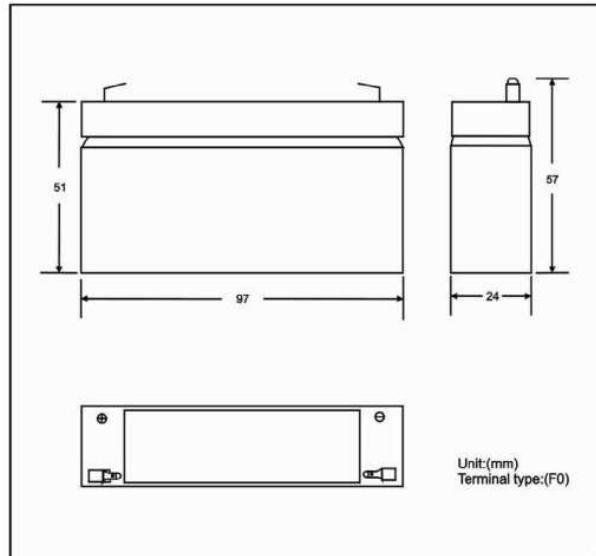




VIPOW 6V 1.3Ah



Specifications

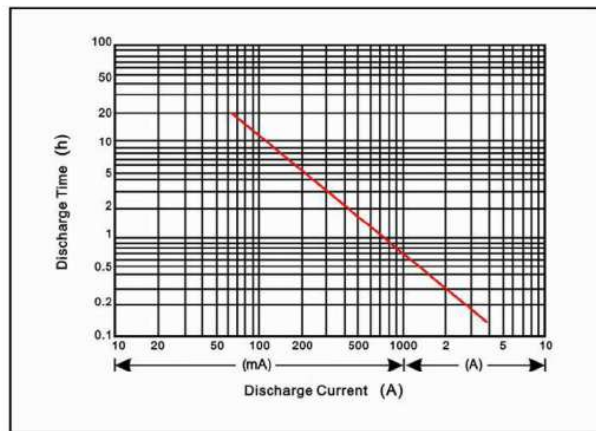
LP1.3-6		
Nominal Voltage	6V	
Rated Capacity (20 hours rate)	1.3Ah	
Dimension (±2mm)	Total Height (with terminals)	57mm
	Length	97mm
	Width	24mm
	Height	51mm
Weight (Approx)	0.3Kg	

Characteristics

Capacity	20 hours rate (0.065A)	1.3Ah
Discharge Current Testing (25°C)	20 I ₂₀ rate (1.3A, 27min)	36min
	60 I ₂₀ rate (3.9A, 7min)	8.5min
Internal Resistance	Full Charged Battery 25°C	65mΩ
Capacity Affected By Temperature (20 hours rate)	40°C	102%
	25°C	100%
	0°C	85%
	-15°C	62%
Residual Capacity (25°C)	Capacity After 3 Months Storage	91%
	Capacity After 6 Months Storage	82%
	Capacity After 12 Months Storage	64%
Cycle (Above 300 Time)	Discharge 2hrs at 0.325A Current Charge 6hrs at 0.13A Current (25°C)	
Charge (Constant Voltage)	Cycle (25°C)	Initial Charging Current Less Than 0.39A; Voltage 7.25~7.45V
	Float (25°C)	Charge Voltage 6.8~6.9V

★ The above are average and date obtained from the first 3 charge/discharge cycles. These are not minimum values.

Discharge Current & Duration Time



Discharge Current 25°C

