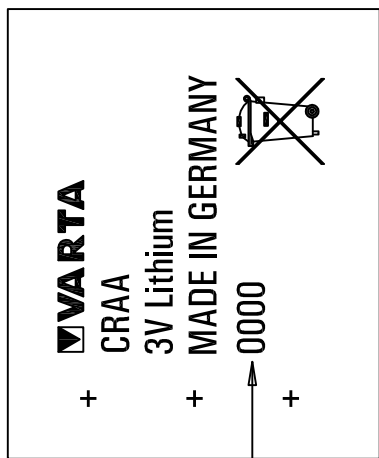
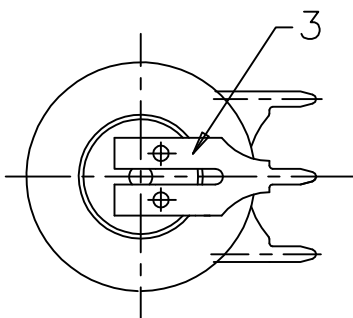
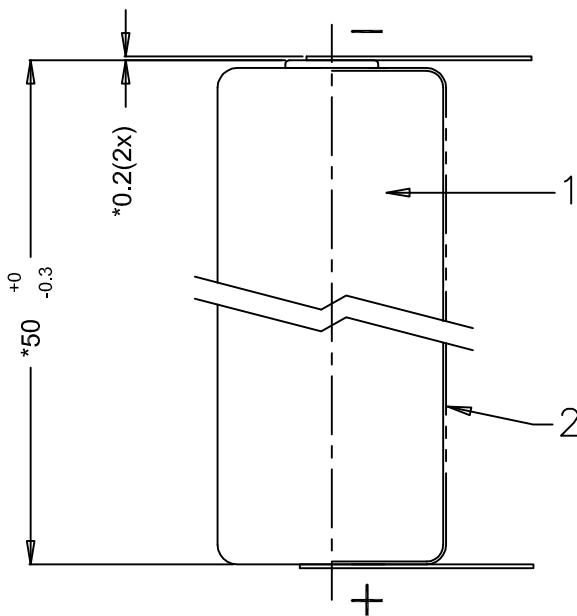
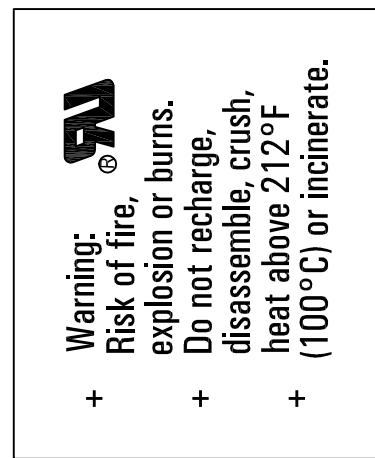


Front artwork



Monthly code (MMYY)

Rear artwork



Note: 1) * Dimensions for reference only
 2) Use UL approved green shrink sleeve

3	R115/08	To add in printed sleeve the crossed-out wheeled bin symbol	2008-04-29	Eka
2	T88/99	To change Tags from #027976 to #024970 & from #027980 to #024979	2000-08-15	Titis WS
1	T85/99	To Change Tags from #024970 to #027976 & from #024979 to #027980	1999-10-10	Tatang
0		Refer to # 001282	1999-08-03	Tatang
No	AO No	Revisions	Date	Name

Projection:		Material: Refer to part list no : 071782		Description: CR AA SLF battery with shrink sleeve & solder tags		
Dimensions in mm		Prepared & Checked	Verified & Approved	Dwg. No:	071782	403
Tolerance: As specified		1999-08-03	Tatang	VKB Order No:	06117 201 301	
Scale: 2 : 1						