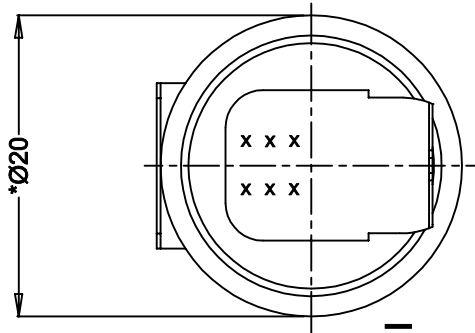
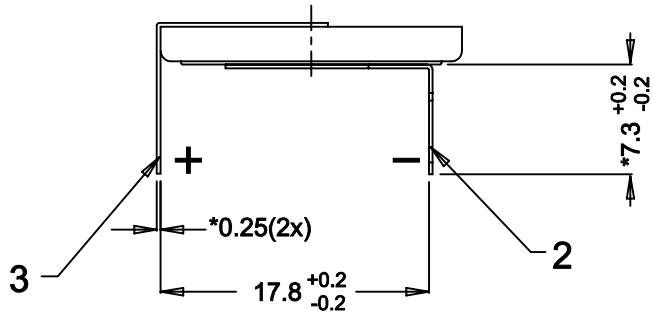
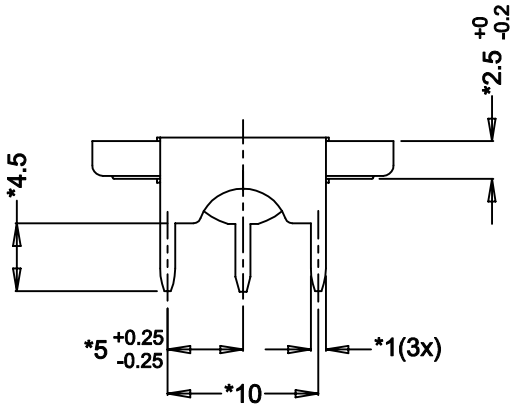
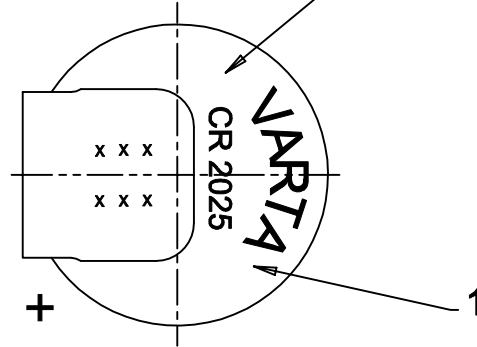


This is a controlled document.
 Hardcopy to be endorsed by authorized person.
 Check with Issuing Office or SAP system for latest update.

Ensure visibility of cell
 reference where possible



Note : *Dimensions for reference only.

No.	Alterations:	Date:	Name:	Dimensions in mm	Material:
				Tolerance: As specified	Refer to part list no: 003268
				Projection:	Description: 3V CR 2025 PCB with solder tags
				Scale: 2 : 1	
				Date: 2000-07-01 Name: TitisWS	
				Prepared: 2000-07-01 Approved: 2001-	

RIGHTS RESERVED TO MAKE TECHNICAL CHANGES, AS A RESULT OF FURTHER DEVELOPMENT, WITHOUT NOTICE. THIS DRAWING IS THE PROPERTY OF VARTA BATTERIES PTE LTD AND MUST NOT BE COPIED OR DISCLOSED TO A THIRD PARTY WITHOUT THE WRITTEN CONSENT OF VARTA BATTERIES PTE LTD.



Dwg. No:	003268	400
VKB Order No:	06025 401 501	
Released: 2001-06-07		