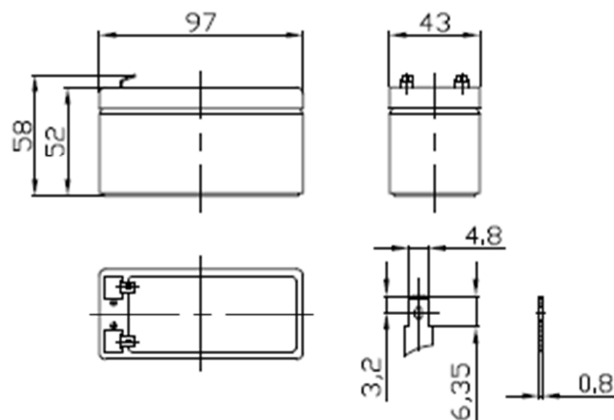




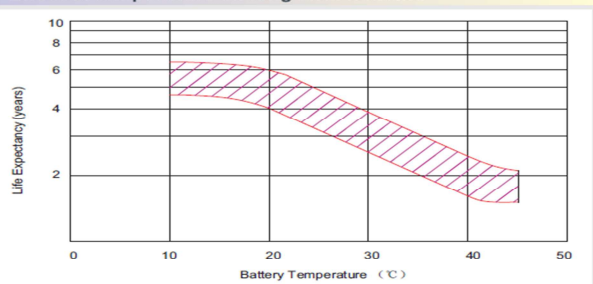
SBL 1,3-12 (12V 1,3Ah)

Designed life time according to Eurobat 6-9 years

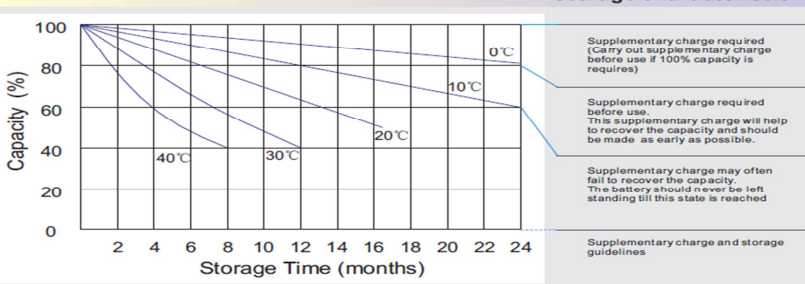
| | | |
|--|---------------|-----------------|
| Technology | VRLA-AGM | |
| Voltage | 12 V | |
| Nominal capacity (20h-rate to 1,75 V/cell at 25°C) | 1,3 Ah | |
| Dimensions | Lenght | 97 mm |
| | Width | 43 mm |
| | High | 52 mm |
| | Total high | 58 mm |
| Weight | ~ 0,6 kg | |
| Internal resistance (25°C) | ~ 95 mΩ | |
| Operating temperature range | Discharge | - 20°C ~ + 60°C |
| | Charge | - 0°C ~ + 50°C |
| | Storage | - 20°C ~ + 60°C |
| Container material | ABS (UL-94HB) | |



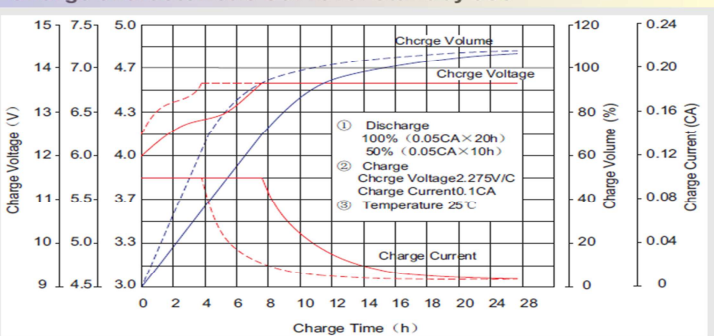
Effect of temperature on long term float life



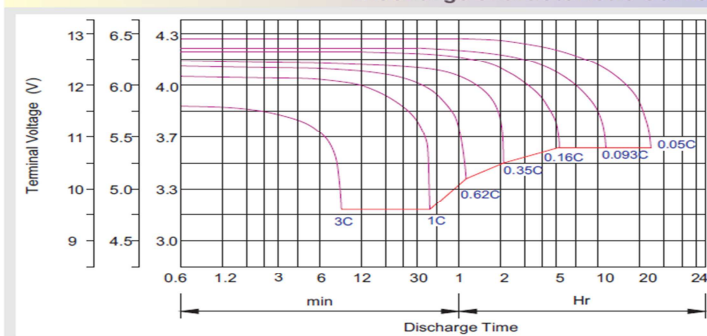
Storage characteristic



Charge characteristic Curve for standby use



Discharge characteristic Curve



CONSTANT CURRENT DISCHARGE CHARACTERISTICS (A at 25°C)

| napięcie/czas | 5 min | 10 min | 15 min | 30 min | 1 h | 2 h | 3 h | 4 h | 5 h | 8 h | 10 h | 20 h |
|---------------|-------|--------|--------|--------|-------|-------|-------|-------|-------|-------|-------|-------|
| 9.6 V | 5.286 | 3.466 | 2.717 | 1.525 | 0.906 | 0.522 | 0.355 | 0.284 | 0.236 | 0.150 | 0.130 | 0.073 |
| 10.0 V | 5.095 | 3.379 | 2.629 | 1.505 | 0.881 | 0.511 | 0.348 | 0.280 | 0.232 | 0.150 | 0.129 | 0.070 |
| 10.2 V | 4.796 | 3.212 | 2.556 | 1.482 | 0.873 | 0.506 | 0.345 | 0.277 | 0.229 | 0.148 | 0.127 | 0.069 |
| 10.5 V | 4.311 | 3.003 | 2.411 | 1.442 | 0.856 | 0.499 | 0.342 | 0.274 | 0.226 | 0.147 | 0.126 | 0.067 |
| 10.8 V | 3.863 | 2.801 | 2.275 | 1.394 | 0.840 | 0.495 | 0.338 | 0.273 | 0.224 | 0.146 | 0.124 | 0.063 |
| 11.1 V | 3.379 | 2.568 | 2.099 | 1.341 | 0.818 | 0.475 | 0.331 | 0.271 | 0.222 | 0.145 | 0.122 | 0.062 |

CONSTANT POWER DISCHARGE CHARACTERISTICS (W at 25°C)

| napięcie/czas | 5 min | 10 min | 15 min | 30 min | 1 h | 2 h | 3 h | 4 h | 5 h | 8 h | 10 h | 20 h |
|---------------|-------|--------|--------|--------|-------|-------|-------|-------|-------|-------|-------|-------|
| 9.6 V | 55.61 | 36.86 | 29.08 | 17.46 | 10.52 | 6.088 | 4.145 | 3.358 | 2.790 | 1.797 | 1.557 | 0.874 |
| 10.0 V | 54.16 | 36.10 | 28.66 | 17.27 | 10.37 | 6.036 | 4.137 | 3.350 | 2.776 | 1.790 | 1.542 | 0.843 |
| 10.2 V | 51.52 | 34.67 | 28.29 | 17.13 | 10.29 | 5.998 | 4.121 | 3.323 | 2.749 | 1.777 | 1.528 | 0.827 |
| 10.5 V | 47.02 | 33.24 | 26.81 | 16.78 | 10.15 | 5.950 | 4.105 | 3.292 | 2.716 | 1.762 | 1.512 | 0.804 |
| 10.8 V | 42.42 | 31.09 | 25.33 | 16.38 | 9.986 | 5.901 | 4.057 | 3.280 | 2.688 | 1.754 | 1.489 | 0.757 |
| 11.1 V | 37.41 | 28.95 | 23.86 | 15.93 | 9.799 | 5.697 | 3.977 | 3.247 | 2.662 | 1.742 | 1.467 | 0.745 |