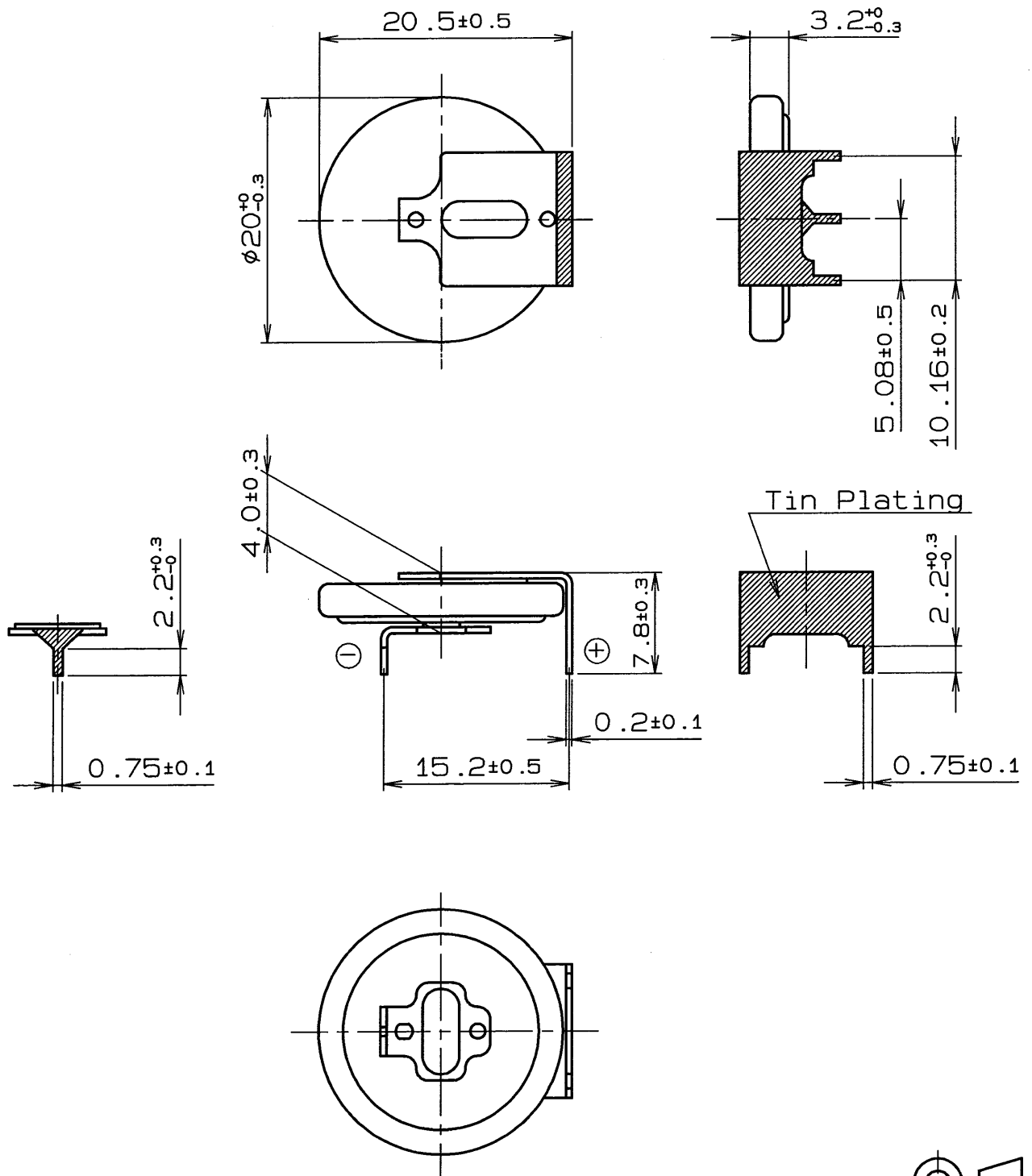


Symbol	Date	Revision	Signed	Checked
△				



UNLESS OTHERWISE SPECIFIED DIMENSIONS ARE IN TOLERANCES ON "Lithium & Micro Battery Dimension Standard"

Unit: mm

Lithium & Micro Battery Dimension Standard (for Products)	Nominal Size	Tolerance			Product No.	CR-2032/1GSSE
	≤6	±0.2				
	6 < ~ ≤30	±0.5			Name	Product Drawing
	30 < ~ ≤120	±0.8				
Angle	±5°			Drawing No.	PS-C20316-a	
Scale	Designed	Drawn	Checked			Checked
2: 1						